

7. Parts & Assembly

Table of contents

General Assembly 42

450 Pro-Lift Mid-Roll Full Assembly	42
450 ST Mid-Roll Full Assembly	44
450 Pro-Lift Rear-Roll Full Assembly	46
450 ST Rear-Roll Full Assembly	48
600 Pro-Lift Mid-Roll Full Assembly	50
600 ST Mid-Roll Full Assembly	52
600 Pro-Lift Rear-Roll Full Assembly	54
600 ST Rear-Roll Full Assembly	56
Drawbar Assembly	58
Chassis Assembly	60
Transport Axle Assembly	62
Rear Drawbar Assembly	64
Rear Drawbar & Light Unit Assembly	66
450 Front LH Wing	68
450 Front RH Wing	70
600 Front LH Wing	72
600 Front RH Wing	74
450 Rear LH Wing (Mid-Roll)	76
450 Front RH Wing (Mid-Roll)	78
450 Rear LH Wing (Rear-Roll)	80
450 Front RH Wing (Rear-Roll)	82
600 Rear LH Wing (Mid-Roll)	84
600 Front RH Wing (Mid-Roll)	86
600 Rear LH Wing (Rear-Roll)	88
600 Front RH Wing (Rear-Roll)	90

Disc Gangs & Axles 92

450 Front LH Disc Gang Assembly	92
450 Front RH Disc Gang Assembly	94
600 Front LH Disc Gang Assembly	96
600 Front RH Disc Gang Assembly	98
450 Rear LH Disc Gang Assembly	100
450 Rear RH Disc Gang Assembly	102
600 Rear LH Disc Gang Assembly	104
600 Rear RH Disc Gang Assembly	106
Coulter Coverer LH	108
Coulter Coverer RH	110
9 Blade Disc Axle (450 Front)	112
7 Blade Disc Axle (600 Front Inner)	114
1+5 Blade Disc Axle (600 Front Outer)	116
9 Blade Disc Axle (450 Rear)	118
7 Blade Disc Axle (600 Rear Inner)	120
5+1 Blade Disc Axle (600 Rear Outer)	122
S2/3 Disc Grease Pipe Assembly	124

Pro-Lift Tines 126

450 Pro-Lift Tine Beam Assembly LH	126
450 Pro-Lift Tine Beam Assembly RH	128
600 Pro-Lift Tine Beam Assembly LH	130
600 Pro-Lift Tine Beam Assembly RH	132
Pro-Lift Tine Arm Assembly	134
Pro-Lift Tine Assembly	136
Shear Type Pro-Lift Tine Assembly	138

Terra-Grip Tines 140

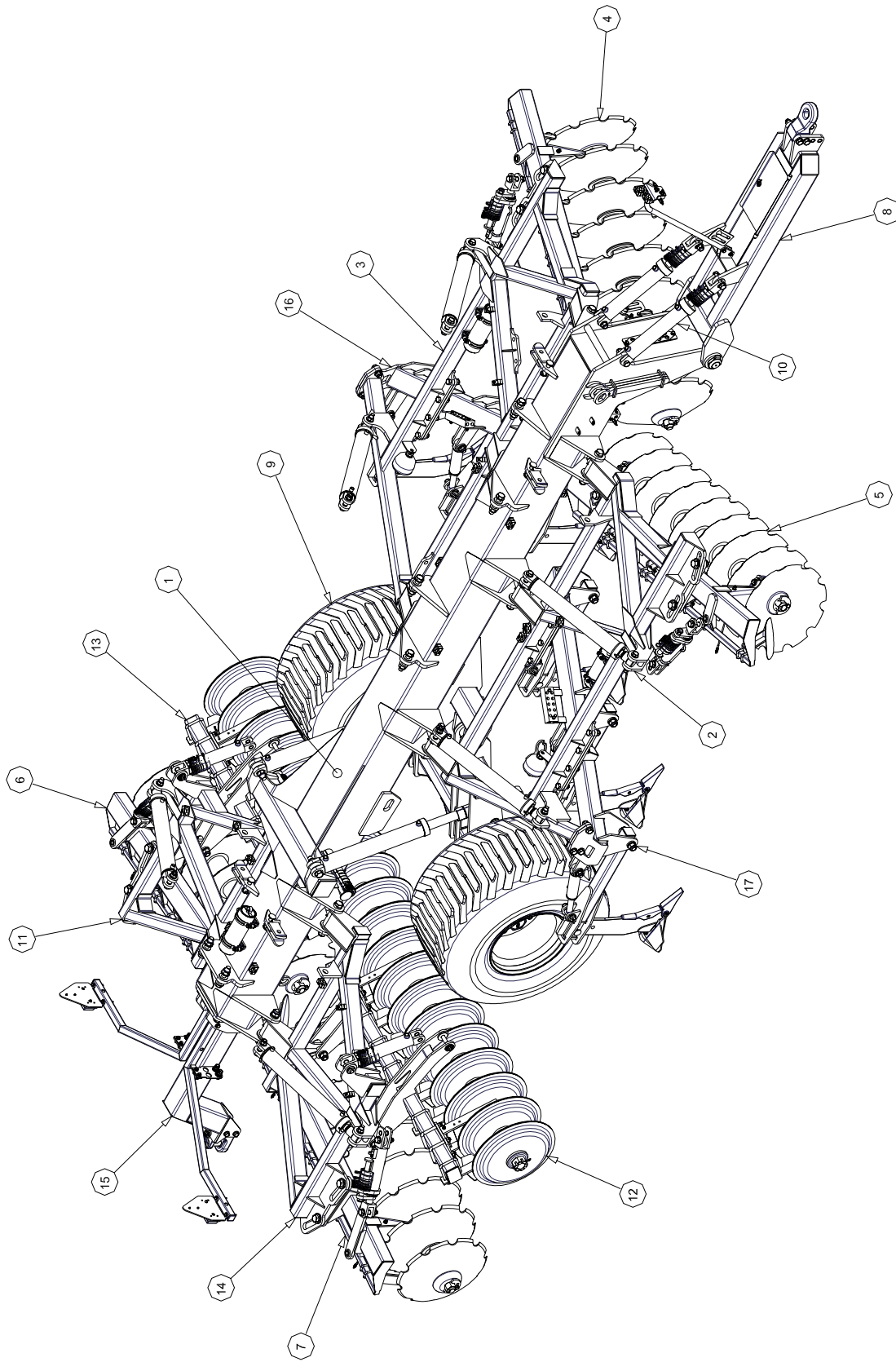
450 ST - Tine Frame Assembly LH	140
450 ST - Tine Frame Assembly RH	142
600 ST - Tine Frame Assembly LH	144
600 ST - Tine Frame Assembly RH	146
Terra-Grip Centre Tine Assembly	148
Terra-Grip Tine Assembly	150

Double Disc Roll 152


450 LH Mid-Roll Wing Assembly	152
450 RH Mid-Roll Wing Assembly	154
450 LH Rear-Roll Wing Assembly	156
450 RH Rear-Roll Wing Assembly	158
600 LH Mid-Roll Wing Assembly	160
600 RH Mid-Roll Wing Assembly	162
600 LH Rear-Roll Wing Assembly	164
600 RH Rear-Roll Wing Assembly	166
DD Axle - 10 Rings (450 Mid-Roll)	168
DD Axle - 11 Rings (450 Rear-Roll)	170
DD Axle - 7 Rings (600 Mid-Roll)	172
DD Axle - 7 Rings (600) Rear-Roll)	174
DD Long Scraper Assembly	176
DD Centre Scraper Assembly	178
Double Disc Pillar Assembly	180

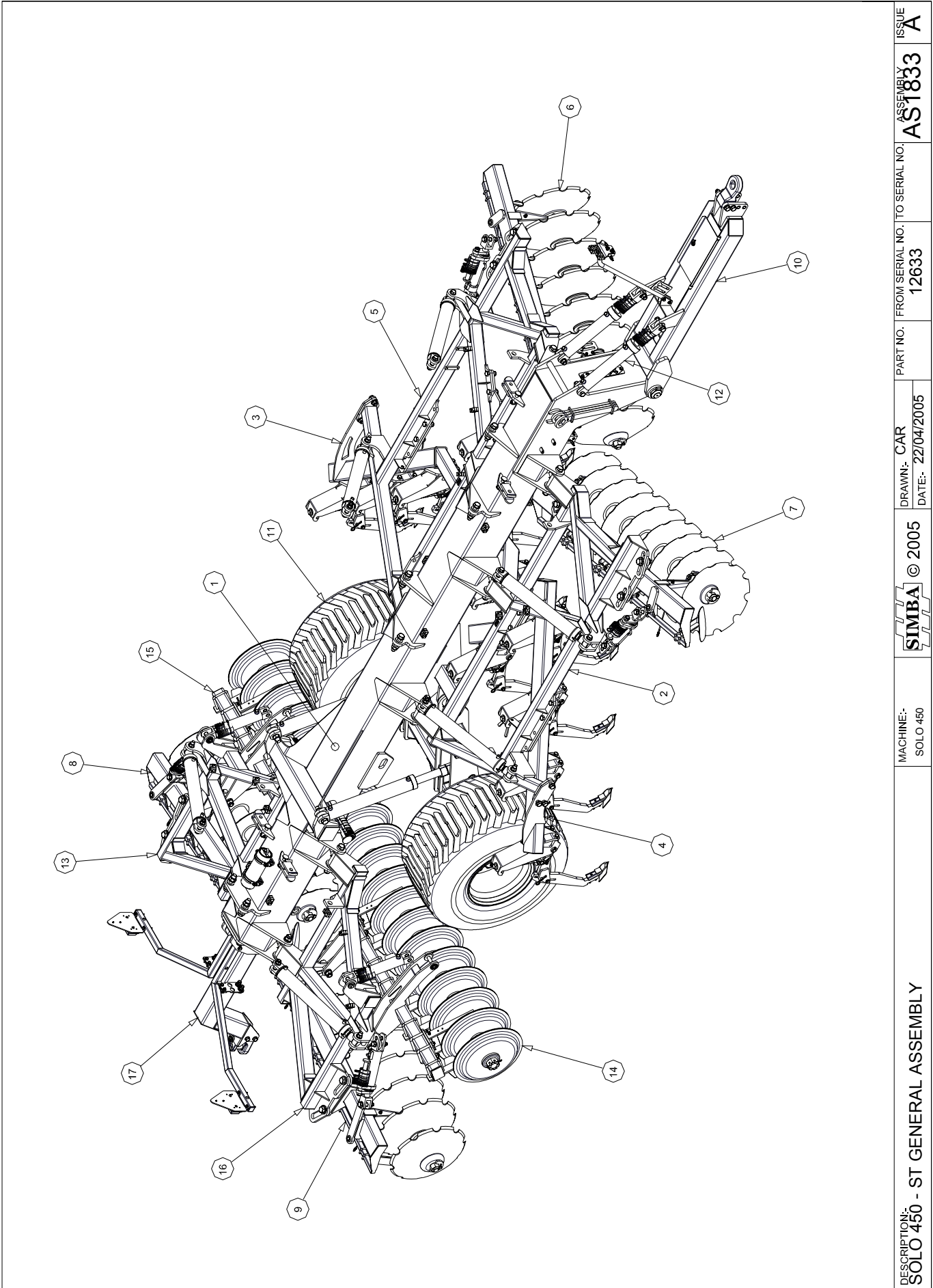
Hydraulics 182

Hydraulic Cylinders	182
Drawbar Cylinder Assembly	184
Gang Angling Cylinder Assembly	186
450 Front Wing Cylinder Assembly	188
450 Rear Wing Cylinder Assembly	190
Wing Circuit (Mid-Roll)	192
Wing Circuit (Rear Roll)	193
Lift Circuit (Mid-Roll W/out Hyd. D/bar)	194
Lift Circuit (Mid-Roll With Hyd. D/bar)	195
Lift Circuit (Rear Roll)	196
2 Pipes to Rear Kit	197
Rear Roll Circuit	198
Mid Roll Circuit	199
Pro-Lift Tine Circuit (6 Tines)	200
Pro-Lift Tine Circuit (+2 Tines)	201
Pro-Lift Tine Circuit Diagram	202
Gang Angling Circuit	203
Braked Axle Circuit	204





DESCRIPTION:- SOLO 450 - GENERAL ASSEMBLY	MACHINE:- SOLO 450	© 2005	DRAWN:- CAR	PART NO.	FROM SERIAL NO. TO SERIAL NO.	ASSEMBLY	ISSUE
			DATE:- 22/04/2005		12633	AS1835	A

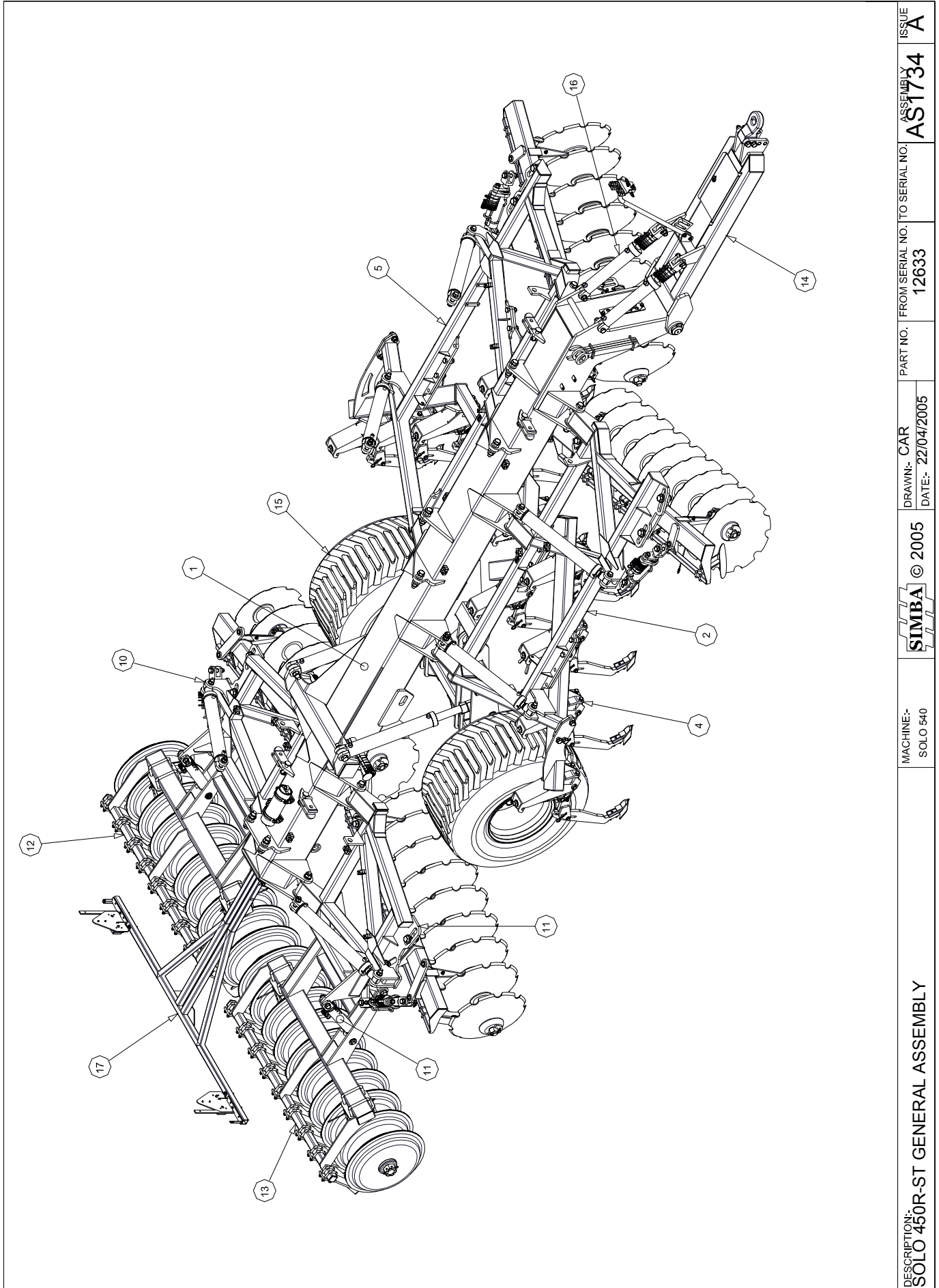
AS1835A		SOLO 450 - GENERAL ASSEMBLY		
ITEM	PART NO	DESCRIPTION	QTY	COMMENTS
1	AS0666	CHASSIS ASSEMBLY	1	
2	AS1720	SOLO 450 FRONT RH WING	1	
3	AS1719	SOLO 450 FRONT LH WING	1	
4	AS1724	SOLO 450 - FRONT LH GANG	1	
5	AS1726	SOLO 450 - FRONT RH GANG	1	
6	AS 1727	SOLO 450 - REAR LH GANG	1	
7	AS1728	SOLO 450 - REAR RH GANG	1	
8	AS0904	DRAWBAR ASSEMBLY	1	
9	AS0632	LIFT AXLE ASSEMBLY - SOLO 450/600	1	
10	AS1735	HYDRAULIC CYLINDER LAYOUT	1	
11	AS1831	SOLO 450 REAR LH WING MID ROLL	1	
12	AS1834	ROLL FRAME ASSEMBLY RH	1	
13	AS1191	ROLL FRAME ASSEMBLY LH	1	
14	AS1832	SOLO 450 REAR RH WING MID ROLL	1	
15	AS1699	REAR DRAWBAR ASSEMBLY	1	
16	AS1713	SOLO 450 HYDRAULIC - LH TINE BEAM	1	
17	AS1714	SOLO 450 HYDRAULIC - RH TINE BEAM	1	
18				
19				
20				
21				
22				
23				
24				
25				
26				
27				
28				
29				
30				
31				
32				
33				
34				
35				
36				
37				
38				
39				
40				
41				
42				
43				
44				
45				
46				
47				
48				
49				
50				



DESCRIPTION: SOLO 450 - ST GENERAL ASSEMBLY	MACHINE: SOLO 450	SIMBA © 2005	DRAWN:- CAR	PART NO.	FROM SERIAL NO. TO SERIAL NO.	ISSUE
			DATE:- 22/04/2005			

AS1833A		SOLO 450 - ST GENERAL ASSEMBLY		
ITEM	PART NO	DESCRIPTION	QTY	COMMENTS
1	AS0666	CHASSIS ASSEMBLY	1	
2	AS1720	SOLO 450 FRONT RH WING	1	
3	AS1709	SOLO 450 ST - LH TINE BEAM	1	
4	AS1710	SOLO 450 ST - RH TINE BEAM	1	
5	AS1719	SOLO 450 FRONT LH WING	1	
6	AS1724	SOLO 450 - FRONT LH GANG	1	
7	AS1726	SOLO 450 - FRONT RH GANG	1	
8	AS 1727	SOLO 450 - REAR LH GANG	1	
9	AS1728	SOLO 450 - REAR RH GANG	1	
10	AS0904	DRAWBAR ASSEMBLY	1	
11	AS0632	LIFT AXLE ASSEMBLY - SOLO 450/600	1	
12	AS1735	HYDRAULIC CYLINDER LAYOUT	1	
13	AS1831	SOLO 450 REAR LH WING MID ROLL	1	
14	AS1834	ROLL FRAME ASSEMBLY RH	1	
15	AS1191	ROLL FRAME ASSEMBLY LH	1	
16	AS1832	SOLO 450 REAR RH WING MID ROLL	1	
17	AS1699	REAR DRAWBAR ASSEMBLY	1	
18				
19				
20				
21				
22				
23				
24				
25				
26				
27				
28				
29				
30				
31				
32				
33				
34				
35				
36				
37				
38				
39				
40				
41				
42				
43				
44				
45				
46				
47				
48				
49				
50				

AS1836A		SOLO 450R - GENERAL ASSEMBLY		
ITEM	PART NO	DESCRIPTION	QTY	COMMENTS
1	AS0666	CHASSIS ASSEMBLY	1	
2	AS1720	SOLO 450 FRONT RH WING	1	
3	AS1719	SOLO 450 FRONT LH WING	1	
4	AS1724	SOLO 450 - FRONT LH GANG	1	
5	AS1726	SOLO 450 - FRONT RH GANG	1	
6	AS 1727	SOLO 450 - REAR LH GANG	1	
7	AS1728	SOLO 450 - REAR RH GANG	1	
8	AS1729	SOLO 450 REAR LH WING REAR ROLL	1	
9	AS1730	SOLO 450 REAR RH WING REAR ROLL	1	
10	AS1732	SOLO 450 700 DD LH REAR ROLL	1	
11	AS1733	SOLO 450 700 DD RH REAR ROLL	1	
12	AS0904	DRAWBAR ASSEMBLY	1	
13	AS0632	LIFT AXLE ASSEMBLY - SOLO 450/600	1	
14	AS1735	HYDRAULIC CYLINDER LAYOUT	1	
15	AS0627	LIGHT MOUNTING ASSEMBLY	1	
16	AS1713	SOLO 450 HYDRAULIC - LH TINE BEAM	1	
17	AS1714	SOLO 450 HYDRAULIC - RH TINE BEAM	1	
18				
19				
20				
21				
22				
23				
24				
25				
26				
27				
28				
29				
30				
31				
32				
33				
34				
35				
36				
37				
38				
39				
40				
41				
42				
43				
44				
45				
46				
47				
48				
49				
50				



DESCRIPTION:
SOLO 450R-ST GENERAL ASSEMBLY

MACHINE:-
SOLO 540


SIMBA © 2005

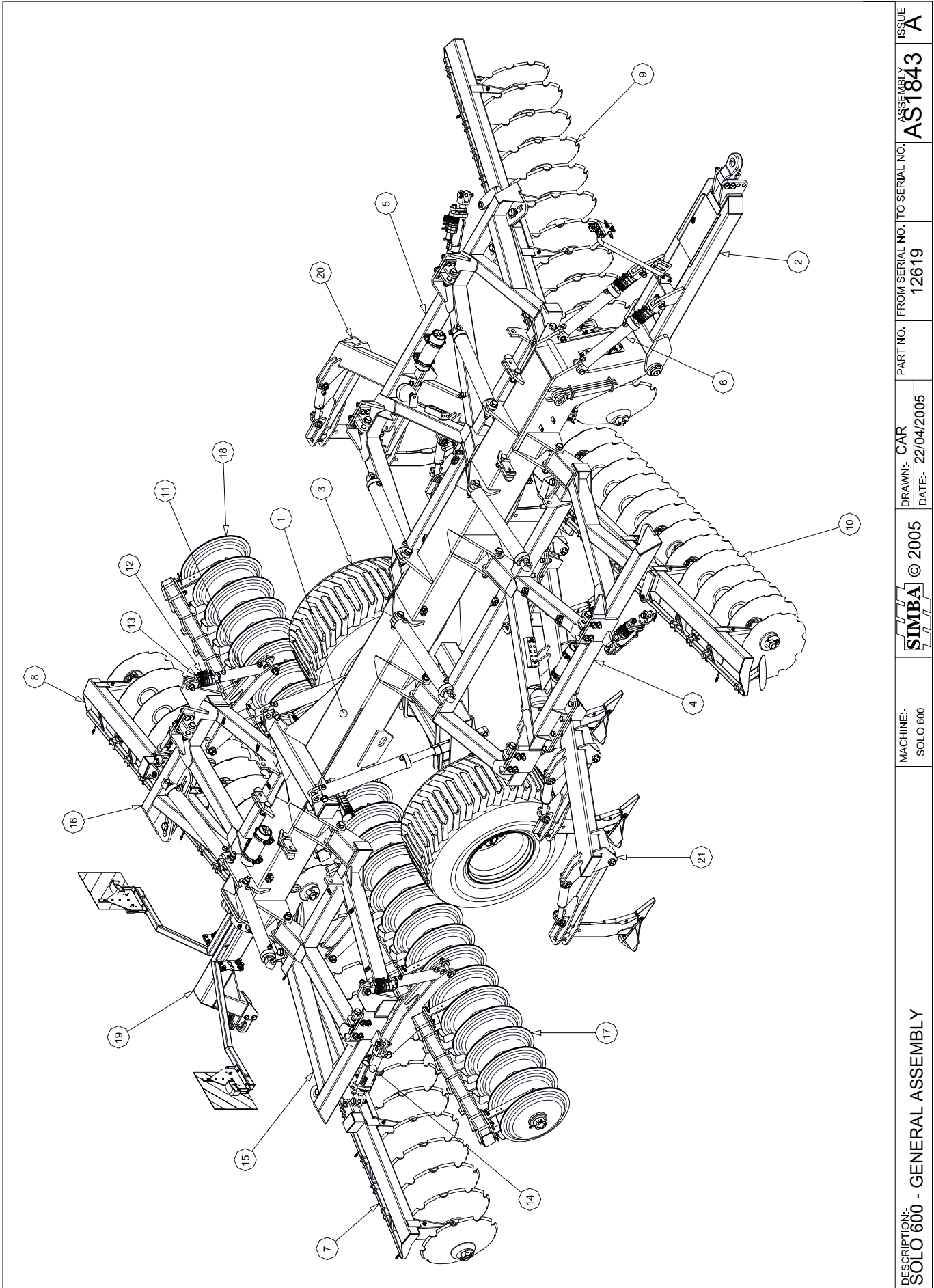
DRAWN:- CAR
DATE:- 22/04/2005

PART NO. FROM SERIAL NO. TO SERIAL NO.
12633


ASSEMBLY
AS1734

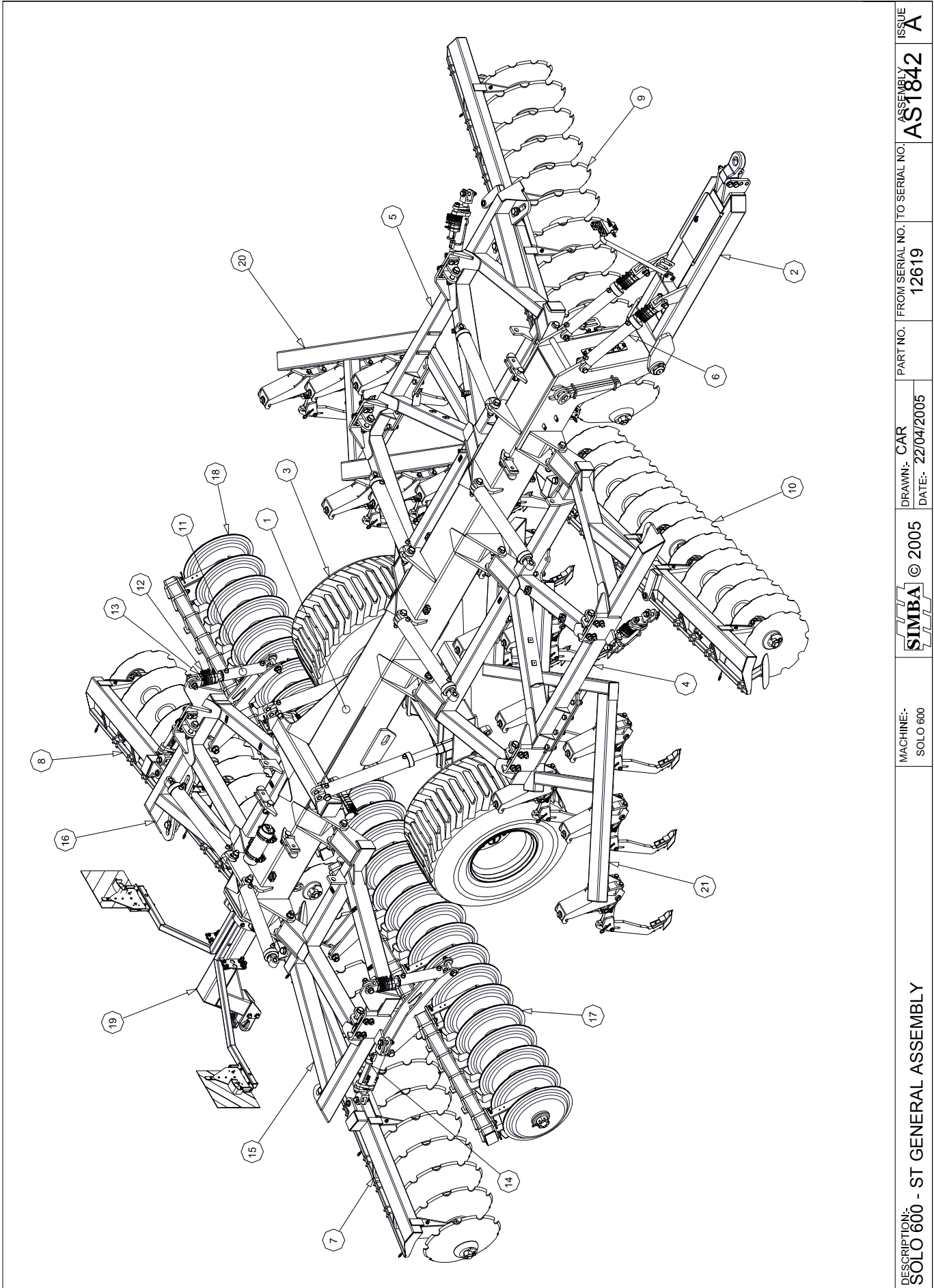
ISSUE
A

AS1734A		SOLO 450R-ST GENERAL ASSEMBLY		
ITEM	PART NO	DESCRIPTION	QTY	COMMENTS
1	AS0666	CHASSIS ASSEMBLY	1	
2	AS1720	SOLO 450 FRONT RH WING	1	
3	AS1709	SOLO 450 ST - LH TINE BEAM	1	
4	AS1710	SOLO 450 ST - RH TINE BEAM	1	
5	AS1719	SOLO 450 FRONT LH WING	1	
6	AS1724	SOLO 450 - FRONT LH GANG	1	
7	AS1726	SOLO 450 - FRONT RH GANG	1	
8	AS 1727	SOLO 450 - REAR LH GANG	1	
9	AS1728	SOLO 450 - REAR RH GANG	1	
10	AS1729	SOLO 450 REAR LH WING REAR ROLL	1	
11	AS1730	SOLO 450 REAR RH WING REAR ROLL	1	
12	AS1732	SOLO 450 700 DD LH REAR ROLL	1	
13	AS1733	SOLO 450 700 DD RH REAR ROLL	1	
14	AS0904	DRAWBAR ASSEMBLY	1	
15	AS0632	LIFT AXLE ASSEMBLY - SOLO 450/600	1	
16	AS1735	HYDRAULIC CYLINDER LAYOUT	1	
17	AS0627	LIGHT MOUNTING ASSEMBLY	1	
18				
19				
20				
21				
22				
23				
24				
25				
26				
27				
28				
29				
30				
31				
32				
33				
34				
35				
36				
37				
38				
39				
40				
41				
42				
43				
44				
45				
46				
47				
48				
49				
50				



DESCRIPTION: SOLO 600 - GENERAL ASSEMBLY	MACHINE: SOLO 600	© 2005	DRAWN:- CAR DATE:- 22/04/2005	PART NO. 12619	FROM SERIAL NO. TO SERIAL NO. 12619	ASSEMBLY AS1843	ISSUE A

AS1843A		SOLO 600 - GENERAL ASSEMBLY			
ITEM	PART NO	DESCRIPTION	QTY	COMMENTS	
1	AS0666	CHASSIS ASSEMBLY	1		
2	AS0904	DRAWBAR ASSEMBLY	1		
3	AS0632	LIFT AXLE ASSEMBLY - SOLO 450/600	1		
4	AS1737	FRONT RH WING	1		
5	AS1736	FRONT LH WING	1		
6	AS0767	HYDRAULIC CYLINDER LAYOUT	1		
7	AS1697	SOLO 600 - REAR RH GANG	1		
8	AS1698	SOLO 600 - REAR LH GANG	1		
9	AS1739	FRONT LH GANG	1		
10	AS1740	SOLO 600 - FRONT RH GANG	1		
11	P01913	CYLINDER - Ø75x250 - 45	2	525-775	
12	P08802	SHIM KIT 7 PIECE	2		
13	P08833	SHIM COLLAR Ø45	2		
14	AS0772	HYDRAULIC ANGLING CYLINDER ASSEM2			
15	AS0659	WING CARRIER ASSEMBLY REAR RH MI1			
16	AS0660	WING ASSEMBLY - MID ROLL RH	1		
17	AS0909	MID ROLL ASSEMBLY DD600 RH	1		
18	AS0910	MID ROLL ASSEMBLY DD600 LH	1		
19	AS0920	REAR DRAWBAR AND LIGHT ARM ASSE1			
20	AS1715	HYDRAULIC - LH TINE BEAM	1		
21	AS1716	HYDRAULIC - LH TINE BEAM	1		
22					
23					
24					
25					
26					
27					
28					
29					
30					
31					
32					
33					
34					
35					
36					
37					
38					
39					
40					
41					
42					
43					
44					
45					
46					
47					
48					
49					
50					



DESCRIPTION:
SOLO 600 - ST GENERAL ASSEMBLY

MACHINE:-
SOLO 600


SIMBA © 2005

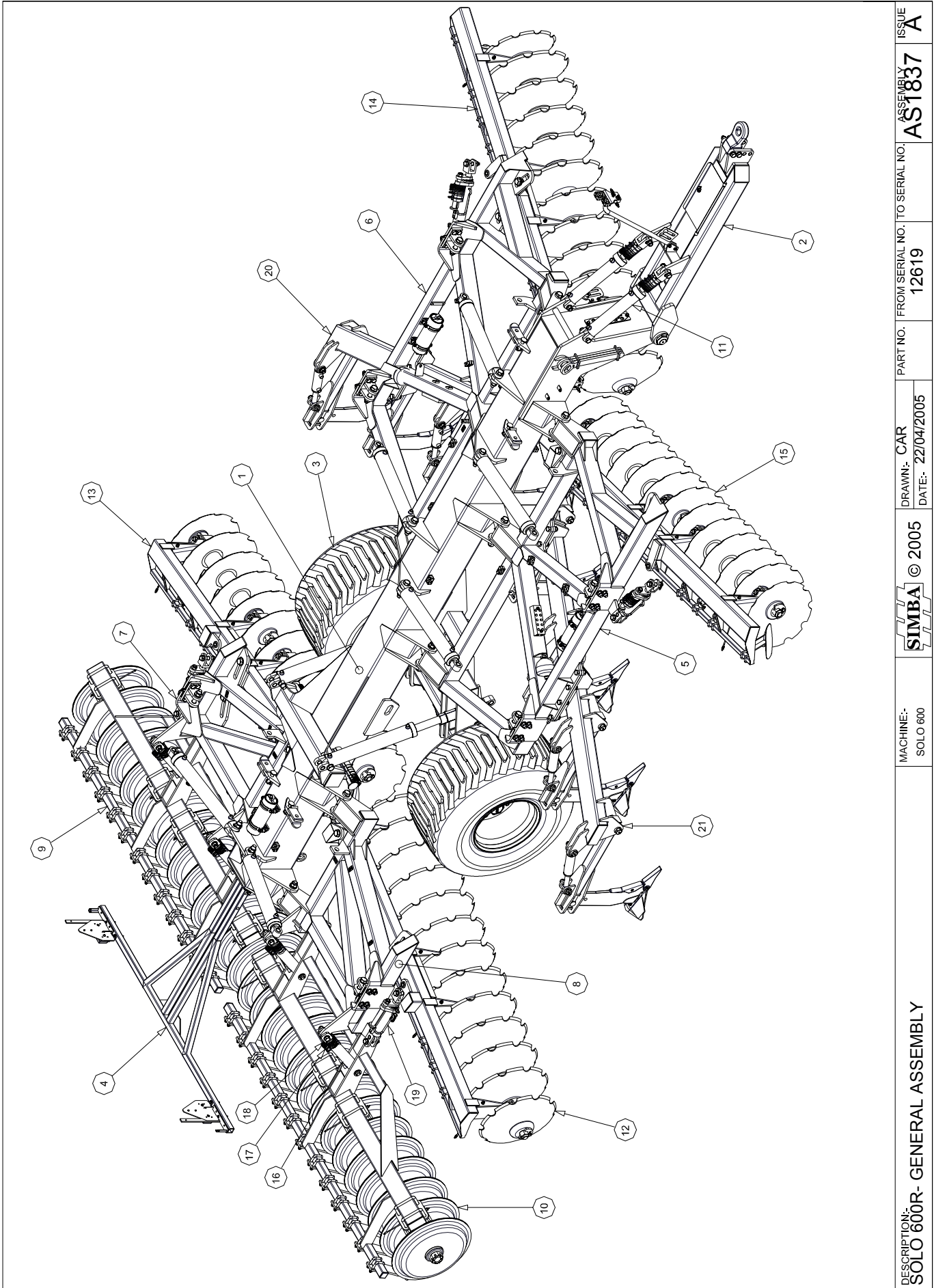
DRAWN:- CAR
DATE:- 22/04/2005

PART NO. FROM SERIAL NO. TO SERIAL NO.
12619


ASSEMBLY
AS1842

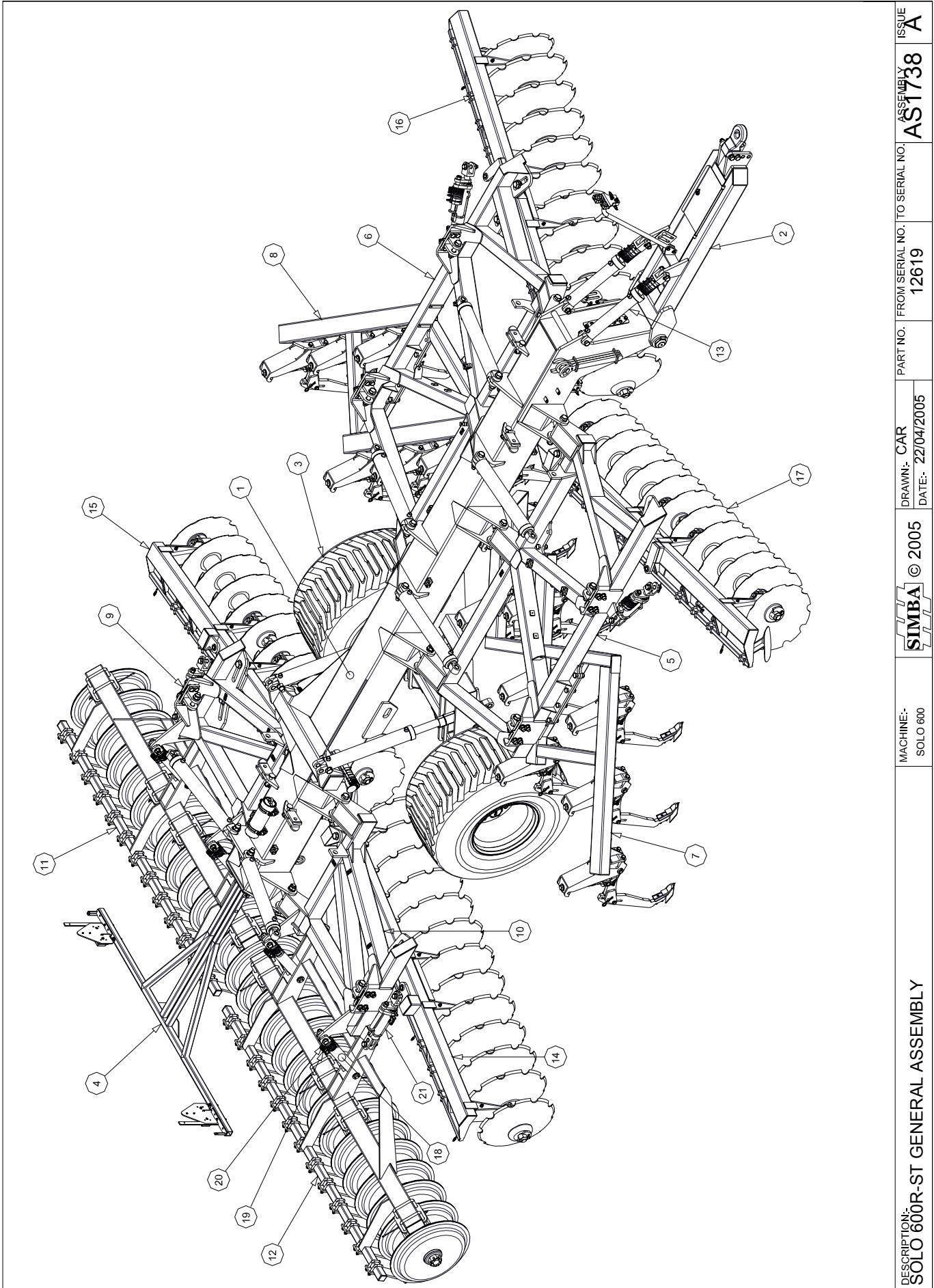
ISSUE
A

AS1842A		SOLO 600 - ST GENERAL ASSEMBLY		
ITEM	PART NO	DESCRIPTION	QTY	COMMENTS
1	AS0666	CHASSIS ASSEMBLY	1	
2	AS0904	DRAWBAR ASSEMBLY	1	
3	AS0632	LIFT AXLE ASSEMBLY - SOLO 450/600	1	
4	AS1737	FRONT RH WING	1	
5	AS1736	FRONT LH WING	1	
6	AS0767	HYDRAULIC CYLINDER LAYOUT	1	
7	AS1697	SOLO 600 - REAR RH GANG	1	
8	AS1698	SOLO 600 - REAR LH GANG	1	
9	AS1739	FRONT LH GANG	1	
10	AS1740	SOLO 600 - FRONT RH GANG	1	
11	P01913	CYLINDER - Ø75x250 - 45	2	525-775
12	P08802	SHIM KIT 7 PIECE	2	
13	P08833	SHIM COLLAR Ø45	2	
14	AS0772	HYDRAULIC ANGLING CYLINDER ASSEM	2	
15	AS0659	WING CARRIER ASSEMBLY REAR RH MI	1	
16	AS0660	WING ASSEMBLY - MID ROLL RH	1	
17	AS0909	MID ROLL ASSEMBLY DD600 RH	1	
18	AS0910	MID ROLL ASSEMBLY DD600 LH	1	
19	AS0920	REAR DRAWBAR AND LIGHT ARM ASSE	1	
20	AS1711	SOLO 600 ST - LH TINE BEAM	1	
21	AS1712	SOLO 600 ST - RH TINE BEAM	1	
22				
23				
24				
25				
26				
27				
28				
29				
30				
31				
32				
33				
34				
35				
36				
37				
38				
39				
40				
41				
42				
43				
44				
45				
46				
47				
48				
49				
50				



DESCRIPTION: SOLO 600R- GENERAL ASSEMBLY	MACHINE: SOLO 600	© 2005	DRAWN: CAR DATE: 22/04/2005	PART NO. 12619	FROM SERIAL NO. TO SERIAL NO. 12619	ASSEMBLY AS1837	ISSUE A

AS1837A		SOLO 600R - GENERAL ASSEMBLY			
ITEM	PART NO	DESCRIPTION	QTY	COMMENTS	
1	AS0666	CHASSIS ASSEMBLY	1		
2	AS0904	DRAWBAR ASSEMBLY	1		
3	AS0632	LIFT AXLE ASSEMBLY - SOLO 450/600	1		
4	AS0627	LIGHT MOUNTING ASSEMBLY	1		
5	AS1737	FRONT RH WING	1		
6	AS1736	FRONT LH WING	1		
7	AS0669	REAR WING ASSEMBLY LH - R FORMAT	1		
8	AS0668	REAR WING ASSEMBLY RH - R FORMAT	1		
9	AS0653	REAR ROLL ASSEMBLY LH DD700	1		
10	AS0652	REAR ROLL ASSEMBLY RH DD700	1		
11	AS0767	HYDRAULIC CYLINDER LAYOUT	1		
12	AS1697	SOLO 600 - REAR RH GANG	1		
13	AS1698	SOLO 600 - REAR LH GANG	1		
14	AS1739	FRONT LH GANG	1		
15	AS1740	SOLO 600 - FRONT RH GANG	1		
16	P01913	CYLINDER - Ø75x250 - 45	4	525-775	
17	P08802	SHIM KIT 7 PIECE	4		
18	P08833	SHIM COLLAR Ø45	4		
19	AS0772	HYDRAULIC ANGLING CYLINDER ASSEM	2		
20	AS1715	HYDRAULIC - LH TINE BEAM	1		
21	AS1716	HYDRAULIC - LH TINE BEAM	1		
22					
23					
24					
25					
26					
27					
28					
29					
30					
31					
32					
33					
34					
35					
36					
37					
38					
39					
40					
41					
42					
43					
44					
45					
46					
47					
48					
49					
50					



DESCRIPTION:
SOLO 600R-ST GENERAL ASSEMBLY

MACHINE:-
SOLO 600


SIMBA © 2005

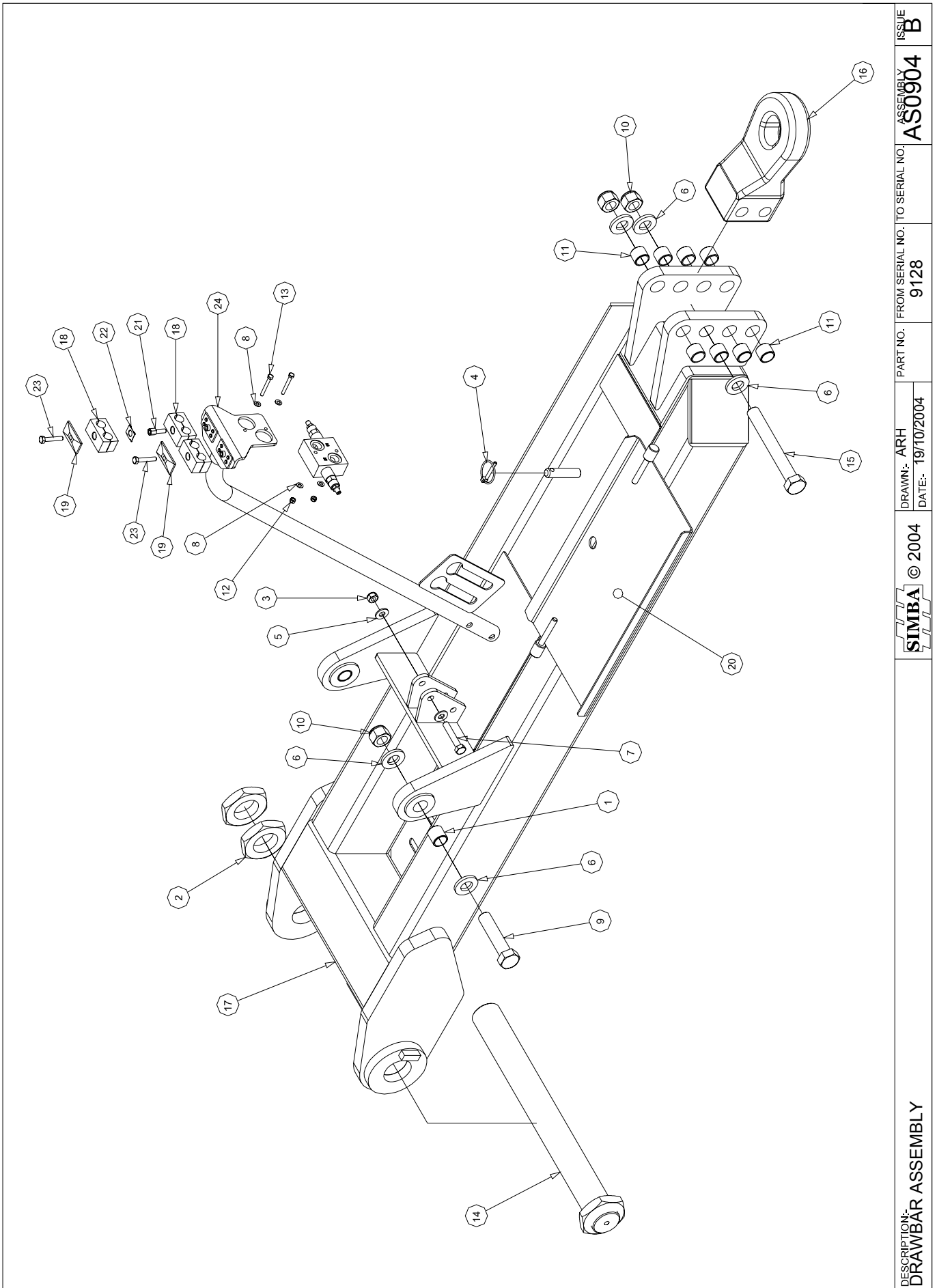
DRAWN:- CAR
DATE:- 22/04/2005

PART NO. FROM SERIAL NO. TO SERIAL NO.
12619

ASSEMBLY
AS1738

ISSUE
A

AS1738A		SOLO 600R-ST GENERAL ASSEMBLY		
ITEM	PART NO	DESCRIPTION	QTY	COMMENTS
1	AS0666	CHASSIS ASSEMBLY	1	
2	AS0904	DRAWBAR ASSEMBLY	1	
3	AS0632	LIFT AXLE ASSEMBLY - SOLO 450/600	1	
4	AS0627	LIGHT MOUNTING ASSEMBLY	1	
5	AS1737	FRONT RH WING	1	
6	AS1736	FRONT LH WING	1	
7	AS1712	SOLO 600 ST - RH TINE BEAM	1	
8	AS1711	SOLO 600 ST - LH TINE BEAM	1	
9	AS0669	REAR WING ASSEMBLY LH - R FORMAT	1	
10	AS0668	REAR WING ASSEMBLY RH - R FORMAT	1	
11	AS0653	REAR ROLL ASSEMBLY LH DD700	1	
12	AS0652	REAR ROLL ASSEMBLY RH DD700	1	
13	AS0767	HYDRAULIC CYLINDER LAYOUT	1	
14	AS1697	SOLO 600 - REAR RH GANG	1	
15	AS1698	SOLO 600 - REAR LH GANG	1	
16	AS1739	FRONT LH GANG	1	
17	AS1740	SOLO 600 - FRONT RH GANG	1	
18	P01913	CYLINDER - Ø75x250 - 45	4	
19	P08802	SHIM KIT 7 PIECE	4	
20	P08833	SHIM COLLAR Ø45	4	
21	AS0772	HYDRAULIC ANGLING CYLINDER ASSEM2		
22				
23				
24				
25				
26				
27				
28				
29				
30				
31				
32				
33				
34				
35				
36				
37				
38				
39				
40				
41				
42				
43				
44				
45				
46				
47				
48				
49				
50				




DESCRIPTION:
DRAWBAR ASSEMBLY

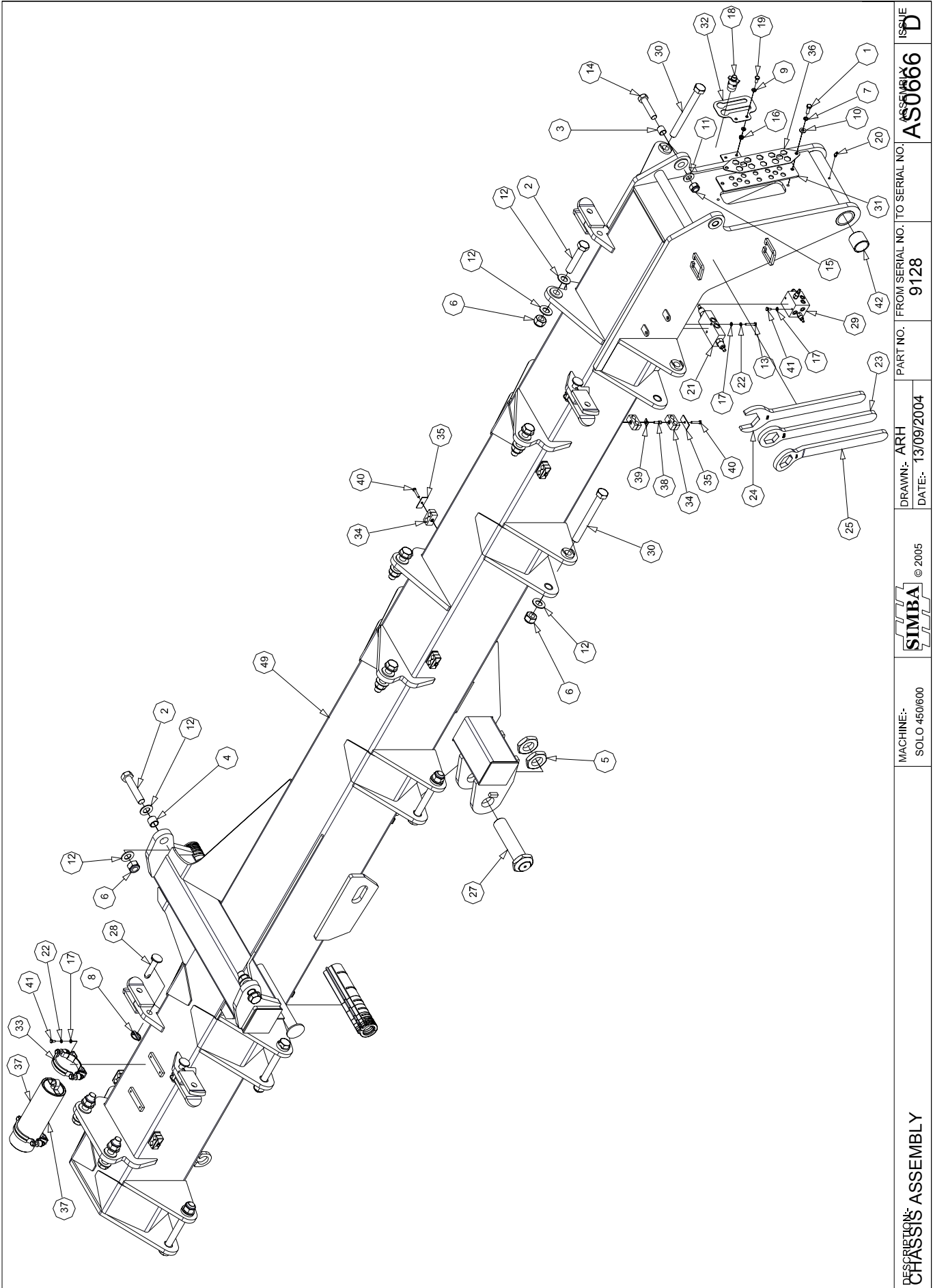
SIMBA © 2004

DRAWN: ARH
DATE: 19/10/2004

PART NO. FROM SERIAL NO. TO SERIAL NO.
9128

ASSEMBLY
AS0904
ISSUE
B

AS0904		DRAWBAR ASSEMBLY SOLO 450+600			
ITEM	PART NO	DESCRIPTION	QTY	COMMENTS	
1	P01645	BUSH SPRUNG - Ø32xØ26x32	2		
2	P01697	NUT PLAIN M60 HALF	2		
3	P02007	NUT LOCK M12	2		
4	P02483	LYNCH PIN CAT 1	1		
5	P02601	WASHER FLAT M12	4		
6	P02604	WASHER FLAT M24 Ø50	8		
7	P03090	BOLT M12x70 GR. 8.8	2		
8	P05400	WASHER FLAT M6	4		
9	P05491	BOLT 1" UNFx4½" GR. V	2		
10	P05492	NUT LOCK 1" UNF	4		
11	P07916	BUSH SPRUNG - Ø32xØ26x25	8		
12	P07981	NUT LOCK M6	2		
13	P08892	BOLT M6x50 GR. 8.8	2		
14	P09036	BOLT M60x565	1		
15	P09066	BOLT 1" UNFx8" GR. V	2		
16	P09067	PERFECT HITCH BASE CAT 4	1		
17	P09090	DRAWBAR	1		
18	P09112	CLAMP ½" BSP PAIR	3		
19	P09113	CLAMP - TOP PLATE	2		
20	P09162	TOOLBOX LID	1		
21	P10049	BOLT M8x25 STAUFF STACK	1		
22	P10234	LOCK CLIP	1		
23	P10278	BOLT M8x45 GR. 8.8	2		
24	P10358	HOSE MAST	1		
25					
26					
27					
28					
29					
30					
31					
32					
33					
34					
35					
36					
37					
38					
39					
40					
41					
42					
43					
44					
45					
46					
47					
48					
49					
50					



DESCRIPTION:
CHASSIS ASSEMBLY

MACHINE:-
SOLO 450/600


SIMBA © 2005

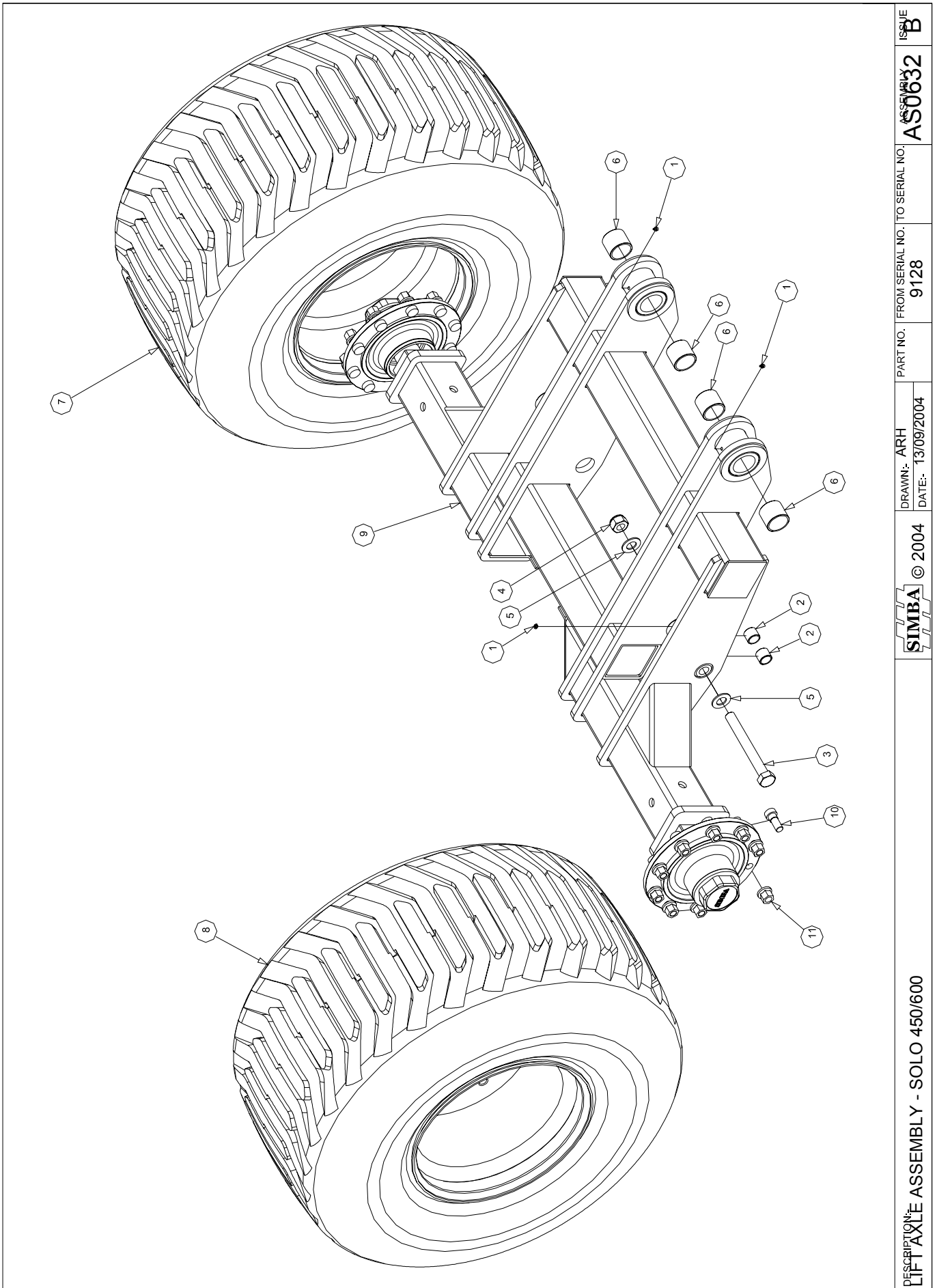
DRAWN:- ARH
DATE:- 13/09/2004

PART NO. FROM SERIAL NO. TO SERIAL NO.
9128

ASSEMBLY
AS0666

ISSUE
D

AS0666		CHASSIS ASSEMBLY SOLO 450+600		
ITEM	PART NO	DESCRIPTION	QTY	COMMENTS
1	P00003	BOLT M12x40 GR. 8.8	2	
2	P00983	BOLT M30x150 GR. 8.8	8	
3	P01645	BUSH SPRUNG - Ø32xØ26x32	2	
4	P01646	BUSH SPRUNG - Ø40xØ32x32	2	
5	P01697	NUT PLAIN M60 HALF	4	
6	P02011	NUT LOCK M30	18	
7	P02037	WASHER SPRING M12	2	
8	P02484	LYNCH PIN CAT 2	4	
9	P02600	WASHER FLAT M10	4	
10	P02601	WASHER FLAT M12	2	
11	P02604	WASHER FLAT M24 Ø50	2	
12	P02608	WASHER FLAT M30	26	
13	P03482	BOLT M8x50 GR. 8.8	2	
14	P05491	BOLT 1" UNFx4½" GR. V	2	
15	P05492	NUT LOCK 1" UNF	2	
16	P05534	NUT LOCK M10	2	
17	P05535	WASHER FLAT M8	8	
18	P05821	PLUG 12N 7 PIN	1	
19	P06651	BOLT M10x25 GR. 8.8	2	
20	P07361	GREASE NIPPLE 45°	1	
21	P07930	DOC VALVE VODL/SC12	1	
22	P08817	WASHER SPRING M8	6	
23	P08851	SPANNER 66AF	1	
24	P08853	SPANNER 90AF	1	
25	P08894	SPANNER 66AF BENT	1	
26	P09001	CHASSIS - SOLO 450/600	1	
27	P09040	BOLT M60x245	2	
28	P09073	PIN - Ø25x115	4	
29	P09078	MANIFOLD - TINE CONTROL	1	
30	P09082	BOLT M30x285 GR. 8.8	10	
31	P09091	BULKHEAD PLATE - FRONT	1	
32	P09092	HOSE STOWAGE PLATE	1	
33	P09108	ACCUMULATOR CLAMP	2	
34	P09112	CLAMP ½" BSP PAIR	27	
35	P09113	CLAMP - TOP PLATE	23	
36	P09293	BULKHEAD LOCKPLATE	1	
37	P09958	ACCUMULATOR 2L PISTON 60b.	1	
38	P10049	BOLT M8x25 STAUFF STACK	4	
39	P10234	LOCK CLIP	4	
40	P10278	BOLT M8x45 GR. 8.8	23	
41	P10342	BOLT M8x16 GR. 8.8	6	
42	P10882	BUSH Ø72xØ60x60 NYLON	2	
43	P11156	SHIM KIT FOR Ø60mm ROD	2	
44				
45				
46				
47				
48				
49				
50				



DESCRIPTION: LIFT AXLE ASSEMBLY - SOLO 450/600


SIMBA © 2004

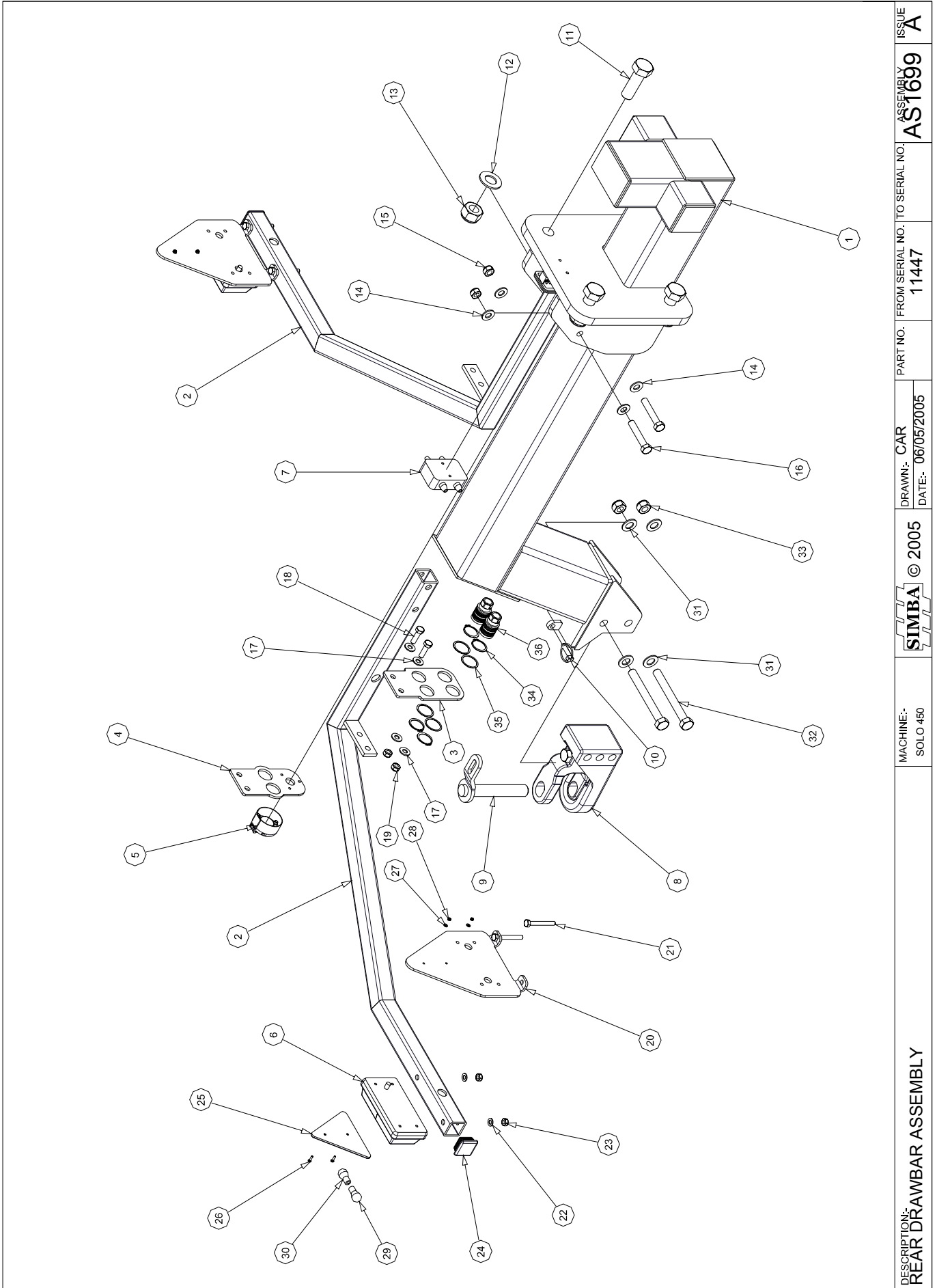
DRAWN: ARH
DATE: 13/09/2004

PART NO. 9128

FROM SERIAL NO. TO SERIAL NO. AS0632

ISSUE B

AS0632		LIFT AXLE ASSEMBLY SOLO 450=600		
ITEM	PART NO	DESCRIPTION	QTY	COMMENTS
1	P00071	NIPPLE - GREASE	6	
2	P01646	BUSH SPRUNG - Ø40xØ32x32	4	
3	P01975	BOLT M30x260 GR. 8.8	2	
4	P02011	NUT LOCK M30	2	
5	P02608	WASHER FLAT M30	4	
6	P02890	BUSH SPRUNG - Ø72xØ62x60	4	
7	P08883LH	WHEEL ASSEMBLY 8 STUD - 700x22 TYR	1	
8	P08883RH	WHEEL ASSEMBLY - 10 STUD - 700x22 T`	1	
9	P09004	LIFT AXLE	1	
10	P10104	STUD - WHEEL M22x60	1	
11	P10105	NUT WHEEL M22	1	
12				
13				
14				
15				
16				
17				
18				
19				
20				
21				
22				
23				
24				
25				
26				
27				
28				
29				
30				
31				
32				
33				
34				
35				
36				
37				
38				
39				
40				
41				
42				
43				
44				
45				
46				
47				
48				
49				
50				



DESCRIPTION:
REAR DRAWBAR ASSEMBLY

MACHINE:-
SOLO 450


SIMBA © 2005

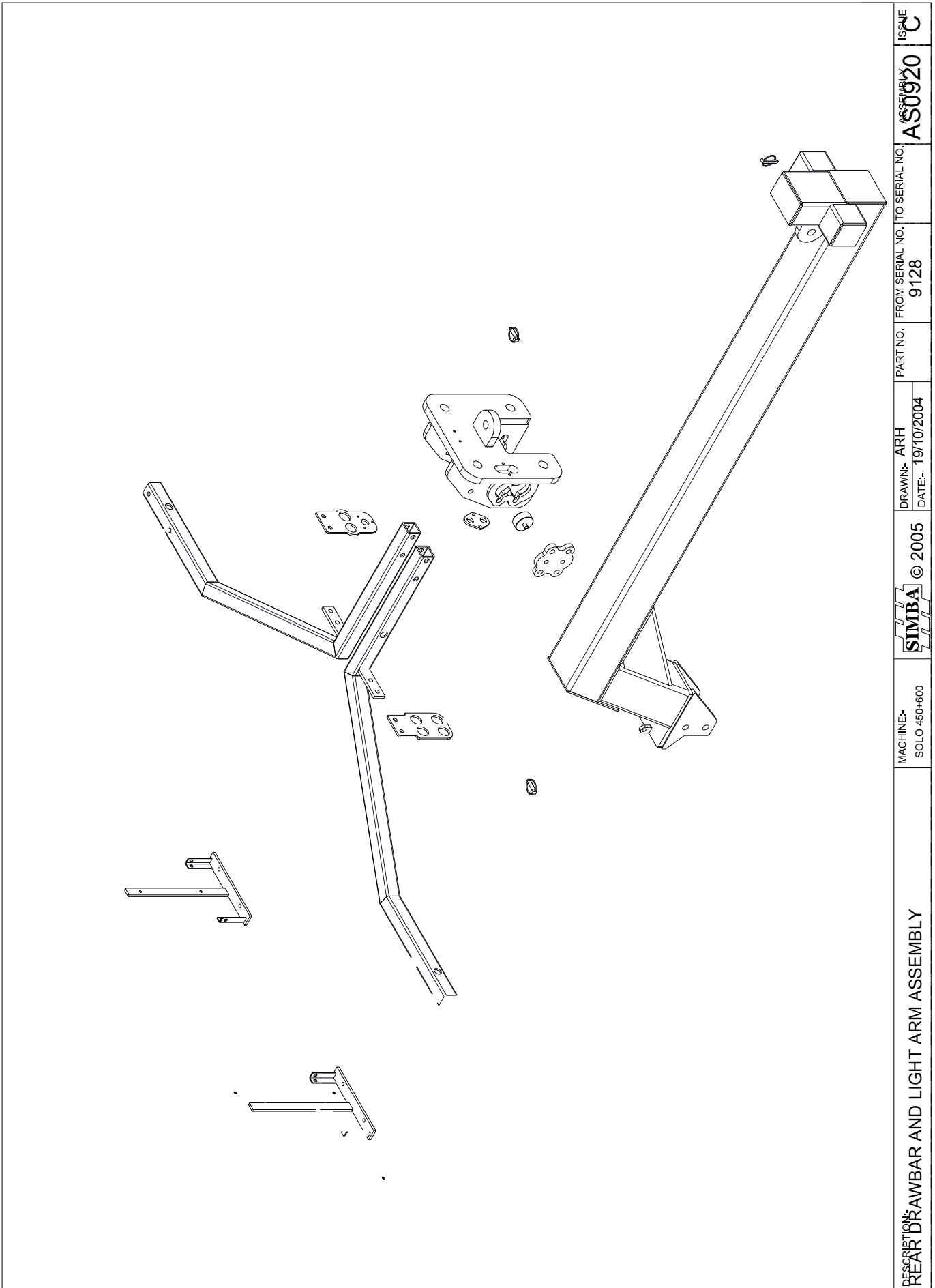
DRAWN:- CAR
DATE:- 06/05/2005

PART NO. FROM SERIAL NO. TO SERIAL NO.
11447

ASSEMBLY
AS1699

ISSUE
A

AS1699A		REAR DRAWBAR ASSEMBLY		
ITEM	PART NO	DESCRIPTION	QTY	COMMENTS
1	P12476	DRAWBAR REAR - 450	1	
2	P09061	LIGHT MOUNT	2	
3	P09103	BULKHEAD PLATE	1	
4	P09107	BULKHEAD PLATE	1	
5	P08564	TRAILER SOCKET FEMALE 12N KIT	1	
6	P05797	LIGHT UNIT	2	
7	P05820	JUNCTION BOX	1	
8	P09517	PERFECT HITCH - REAR	1	
9	P10235	DRAWBAR PIN Ø30	1	
10	P02484	LYNCH PIN CAT 2	1	
11	P00941	BOLT M30x90 GR. 8.8	4	
12	P02608	WASHER FLAT M30	4	
13	P02011	NUT LOCK M30	4	
14	P02602	WASHER FLAT M16	8	
15	P02008	NUT LOCK M16	4	
16	P02649	BOLT M16x90 GR. 8.8	4	
17	P02601	WASHER FLAT M12	8	
18	P00003	BOLT M12x40 GR. 8.8	4	
19	P02007	NUT LOCK M12	4	
20	P05800	LIGHT PLATE	2	
21	P09226	BOLT M10x80 GR. 8.8	4	
22	P02600	WASHER FLAT M10	4	
23	P05534	NUT LOCK M10	4	
24	P07544	PLASTIC END CAP 50x50	2	
25	P05796	REFLECTOR - RED	2	
26	P06400	BOLT M4x15 GR. 8.8	4	
27	P06402	WASHER FLAT M4	4	
28	P06401	NUT PLAIN M4	4	
29	P06337	BULB INDICATOR LLB 335	2	
30	P06338	BULB STOP/TAIL LIGHT LLB 380	2	
31	P02603	WASHER FLAT M20	4	
32	P01224	BOLT M20x180 GR. 8.8	2	
33	P02009	NUT LOCK M20	2	
34	P09534	CIRCLIP Ø35	8	
35	P09535	WASHER WAVE	8	
36	P09533	QUICK RELEASE FEM PULL TYPE 1/2" BSP	4	
37				
38				
39				
40				
41				
42				
43				
44				
45				
46				
47				
48				
49				
50				



DESCRIPTION:
REAR DRAWBAR AND LIGHT ARM ASSEMBLY

MACHINE:-
SOLO 450+600


SIMBA © 2005

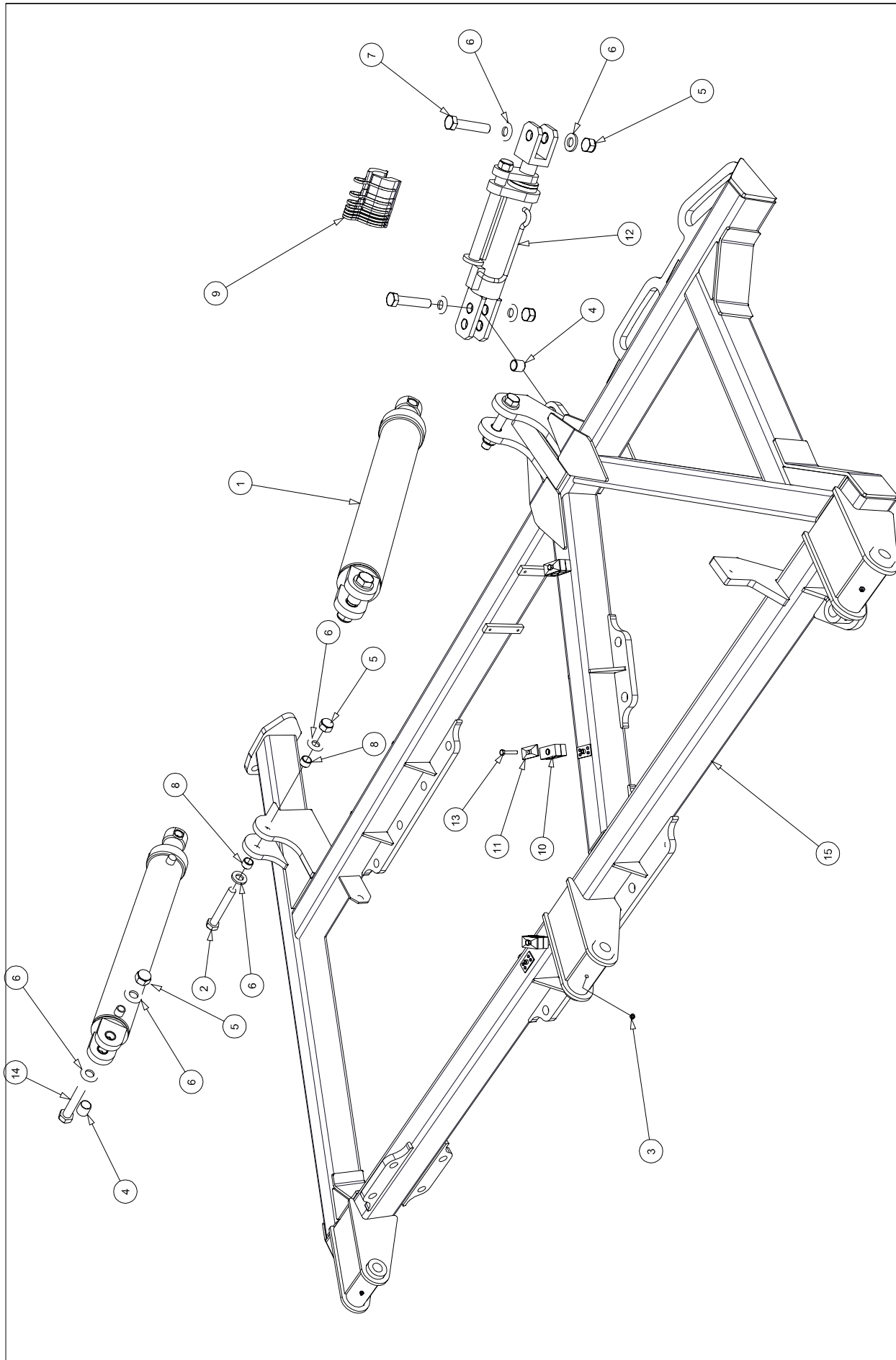
DRAWN:- ARH
DATE:- 19/10/2004

PART NO. FROM SERIAL NO. TO SERIAL NO.
9128


ASSEMBLY
AS0920

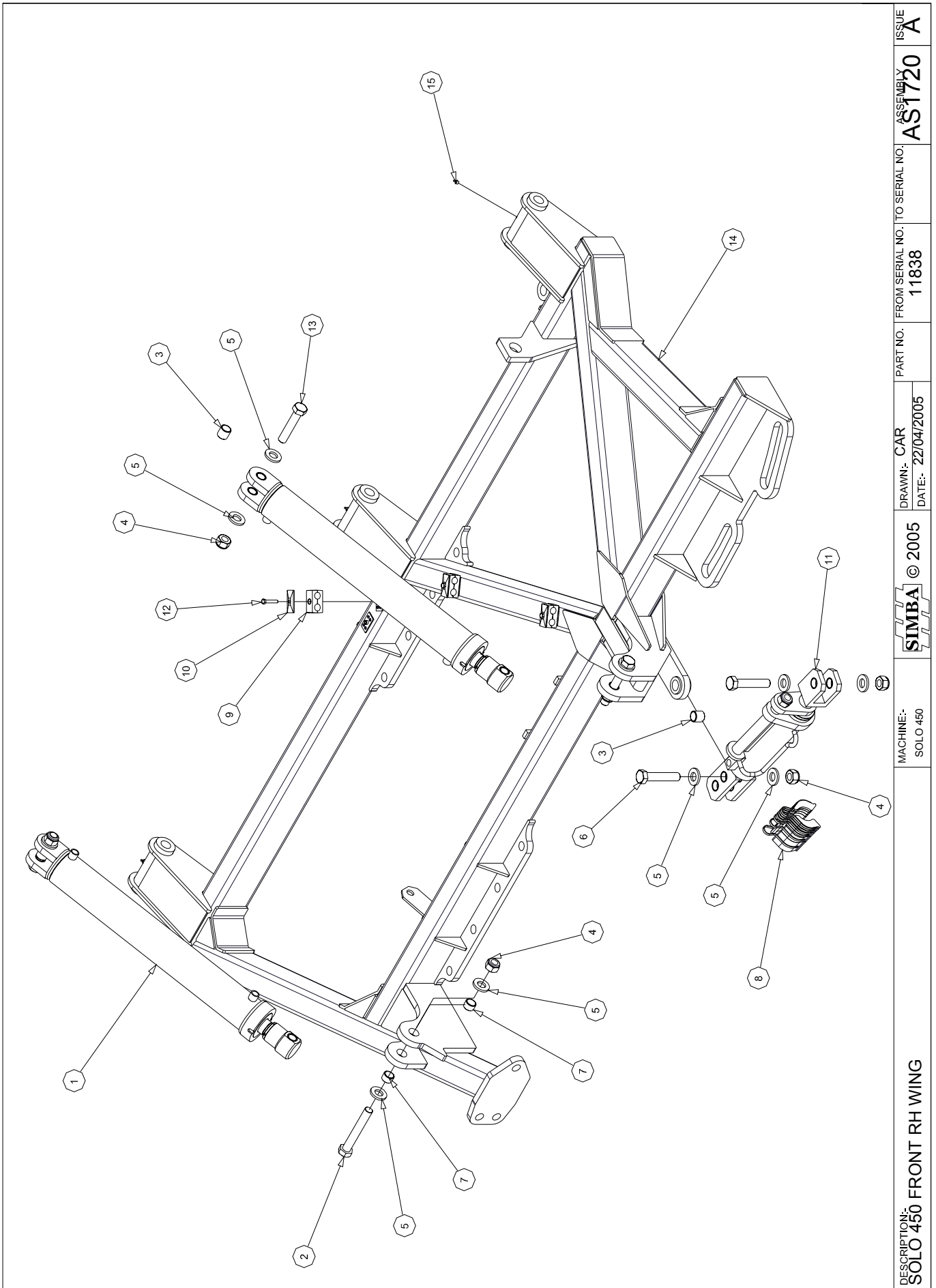
ISSUE
C

AS0920		SOLO 450+600 REAR DRAWBAR AND LIGHT UNIT		
ITEM	PART NO	DESCRIPTION	QTY	COMMENTS
1	P00003	BOLT M12x40 GR. 8.8	4	
2	P00941	BOLT M30x90 GR. 8.8	2	
3	P01071	PIN Ø25x130	1	
4	P01224	BOLT M20x180 GR. 8.8	2	
5	P01274	PIN Ø25x115	1	
6	P01704	BOLT M16x50 GR. 8.8	8	
7	P01774	CYLINDER - Ø75x600 - 45	1	
8	P02007	NUT LOCK M12	4	
9	P02008	NUT LOCK M16	12	
10	P02009	NUT LOCK M20	2	
11	P02011	NUT LOCK M30	4	
12	P02484	LYNCH PIN CAT 2	3	
13	P02600	WASHER FLAT M10	4	
14	P02601	WASHER FLAT M12	8	
15	P02602	WASHER FLAT M16	16	
16	P02603	WASHER FLAT M20	4	
17	P02608	WASHER FLAT M30	4	
18	P02649	BOLT M16x90 GR. 8.8	4	
19	P02789	BOLT M8x20 GR. 8.8	2	
20	P03471	BOLT M30x80 GR. 8.8	2	
21	P04754	NUT LOCK M8	4	
22	P05534	NUT LOCK M10	4	
23	P05535	WASHER FLAT M8	10	
24	P05796	REFLECTOR - RED	2	
25	P05797	LIGHT UNIT	2	
26	P05800	LIGHT PLATE	2	
27	P05820	JUNCTION BOX	1	
28	P06337	BULB INDICATOR LLB 335	2	
29	P06338	BULB STOP/TAIL LIGHT LLB 380	2	
30	P06400	BOLT M4x15 GR. 8.8	4	
31	P06401	NUT PLAIN M4	4	
32	P06402	WASHER FLAT M4	4	
33	P07544	PLASTIC END CAP 50x50	2	
34	P08440	WASHER SHIM 0.5mm	8	
35	P08564	TRAILER SOCKET FEMALE 12N KIT	1	
36	P08817	WASHER SPRING M8	2	
37	P09046	DRAWBAR - REAR	1	
38	P09061	LIGHT MOUNT	2	
39	P09103	BULKHEAD PLATE	1	
40	P09107	BULKHEAD PLATE	1	
41	P09226	BOLT M10x80 GR. 8.8	4	
42	P09517	PERFECT HITCH - REAR	1	
43	P09533	QUICK RELEASE FEM PULL TYPE ½' BSF	4	
44	P09534	CIRCLIP Ø35	8	
45	P09535	WASHER WAVE	8	
46	P09597	BOLT M8x25 GR. 8.8	4	
47	P10042	LIGHT BOARD RH	1	
48	P10043	LIGHT BOARD LH	1	
49	P10235	DRAWBAR PIN Ø30	1	
50	P10420	THRUST PAD	4	
51	P10421	THRUST PAD PLATE	2	
52	P10422	BULKHEAD PLATE	1	
53	P10423	REAR DRAWBAR BASE	1	
54	P11238	LIGHT MOUNT	2	
55				




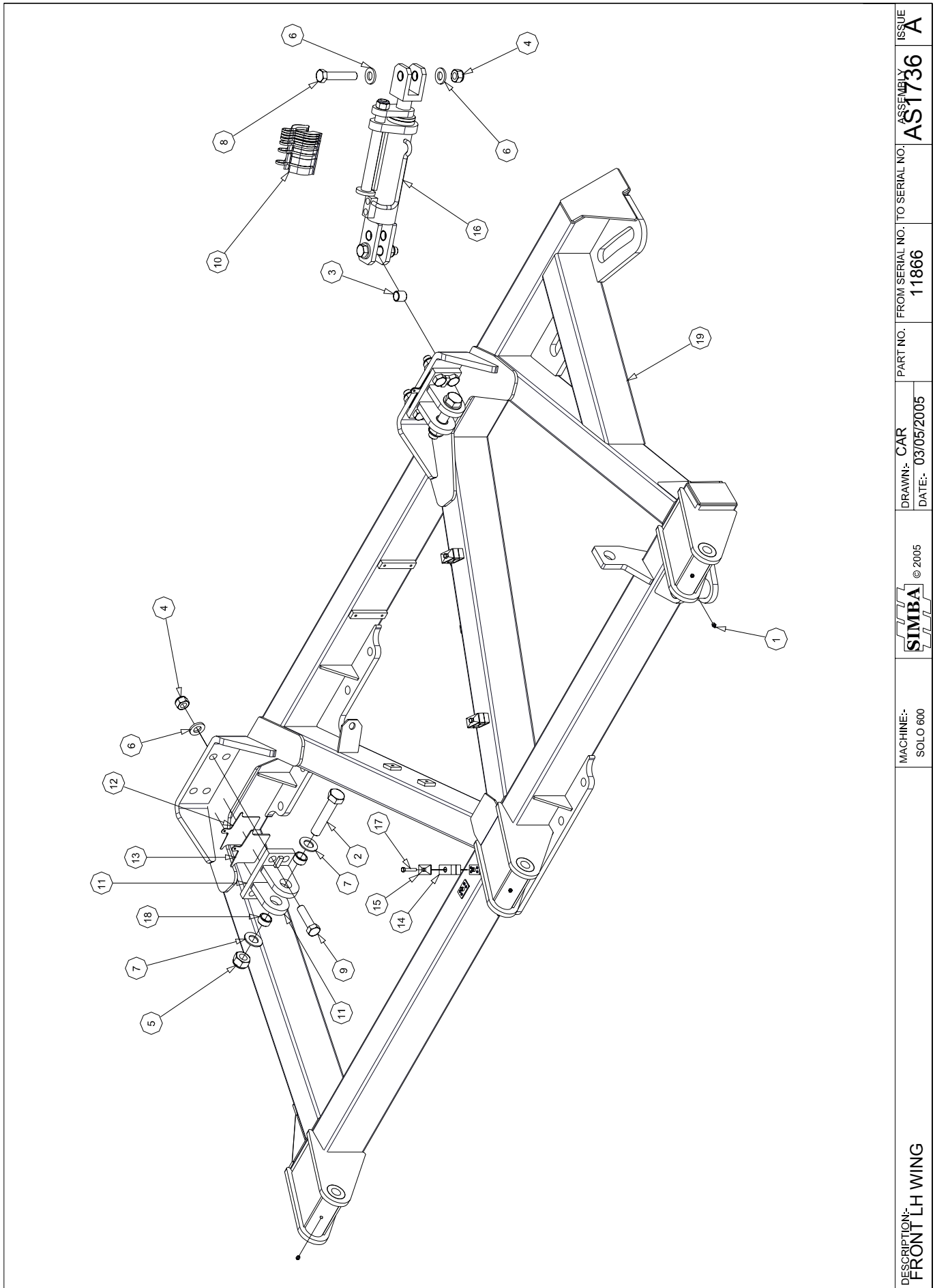
DESCRIPTION: SOLO 450 FRONT LH WING	MACHINE: SOLO 450	© 2005	DRAWN: CAR DATE: 21/04/2005	PART NO. 11838	FROM SERIAL NO. TO SERIAL NO. 11838	ASSEMBLY AS1719	ISSUE A

AS1719A		SOLO 450 FRONT LH WING			
ITEM	PART NO	DESCRIPTION	QTY	COMMENTS	
1	AS1717	SOLO 450 FNT WING CYL ASSEMBLY	2		
2	P00023	BOLT M24x160 GR. 8.8	2		
3	P00071	NIPPLE - GREASE	3		
4	P01645	BUSH SPRUNG - Ø32xØ26x32	3		
5	P02010	NUT LOCK M24	6		
6	P02604	WASHER FLAT M24 Ø50	12		
7	P03117	BOLT M24x120 GR. 8.8	2		
8	P04126	BUSH SPRUNG - Ø32xØ26x20	4		
9	P08802	SHIM KIT 7 PIECE	1		
10	P09112	CLAMP ½" BSP PAIR	3		
11	P09113	CLAMP - TOP PLATE	3		
12	P09436	CYLINDER - Ø75x200 - 45	1		
13	P10278	BOLT M8x45 GR. 8.8	3		
14	P12610	BOLT M24x120 GR 10.9 STR	2		
15	P13233	WING FRONT LH - 450	1		
16					
17					
18					
19					
20					
21					
22					
23					
24					
25					
26					
27					
28					
29					
30					
31					
32					
33					
34					
35					
36					
37					
38					
39					
40					
41					
42					
43					
44					
45					
46					
47					
48					
49					
50					



DESCRIPTION: SOLO 450 FRONT RH WING	MACHINE: SOLO 450	SIMBA © 2005	DRAWN: CAR DATE: 22/04/2005	PART NO.	FROM SERIAL NO. 11838	TO SERIAL NO.	ASSEMBLY AS1720	ISSUE A
--	----------------------	--------------	--------------------------------	----------	-----------------------	---------------	--------------------	------------

AS1720A		SOLO 450 FRONT RH WING		
ITEM	PART NO	DESCRIPTION	QTY	COMMENTS
1	AS1717	SOLO 450 FNT WING CYL ASSEMBLY	2	
2	P00023	BOLT M24x160 GR. 8.8	2	
3	P00071	NIPPLE - GREASE	3	
4	P01645	BUSH SPRUNG - Ø32xØ26x32	3	
5	P02010	NUT LOCK M24	6	
6	P02604	WASHER FLAT M24 Ø50	12	
7	P03117	BOLT M24x120 GR. 8.8	2	
8	P04126	BUSH SPRUNG - Ø32xØ26x20	4	
9	P08802	SHIM KIT 7 PIECE	1	
10	P09112	CLAMP ½" BSP PAIR	3	
11	P09113	CLAMP - TOP PLATE	3	
12	P09436	CYLINDER - Ø75x200 - 45	1	
13	P10278	BOLT M8x45 GR. 8.8	3	
14	P12610	BOLT M24x120 GR 10.9 STR	2	
15	P13236	FRONT WING RH - 450	1	
16				
17				
18				
19				
20				
21				
22				
23				
24				
25				
26				
27				
28				
29				
30				
31				
32				
33				
34				
35				
36				
37				
38				
39				
40				
41				
42				
43				
44				
45				
46				
47				
48				
49				
50				



DESCRIPTION:-
FRONT LH WING

MACHINE:-
SOLO 600


© 2005

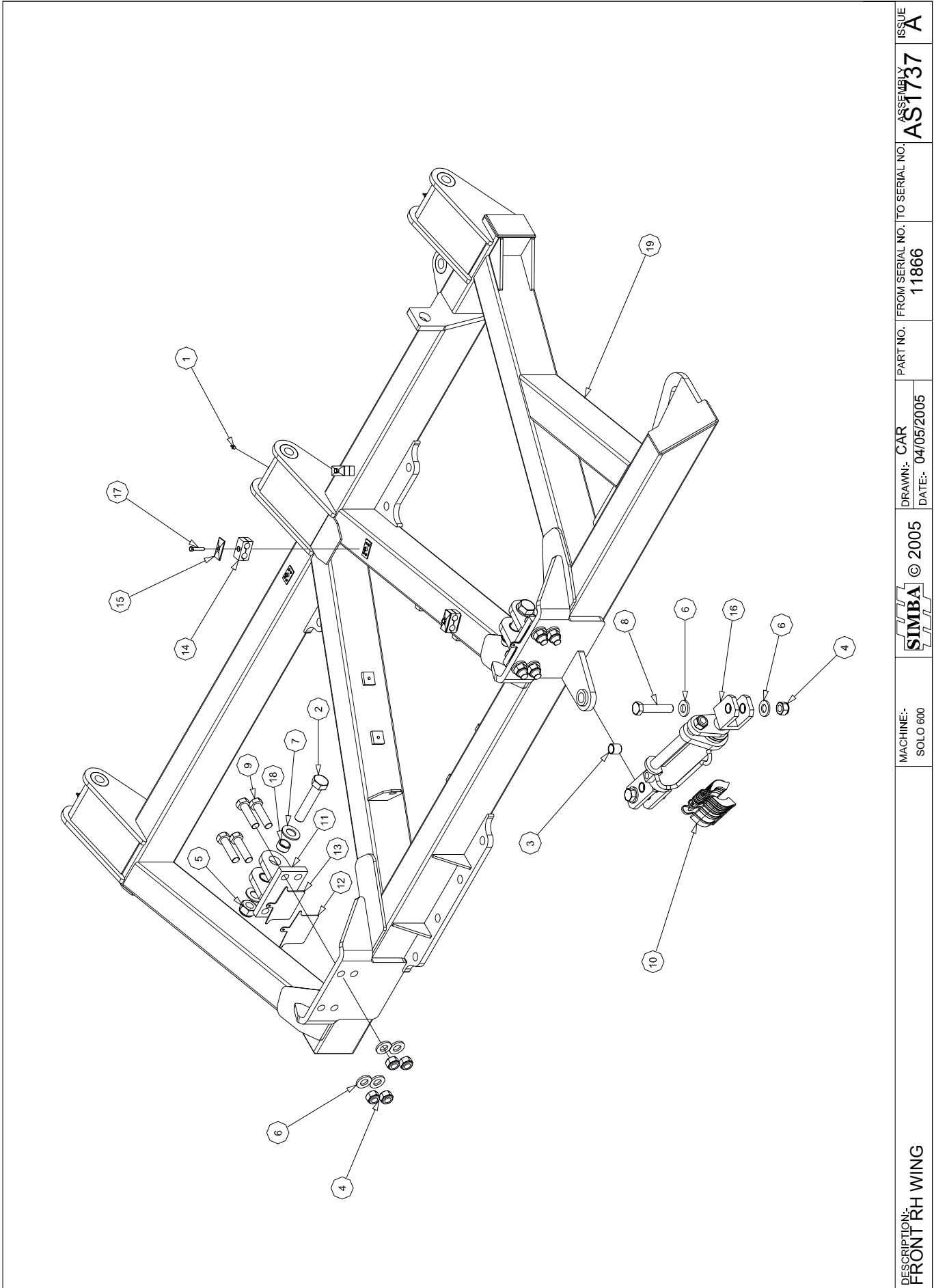
DRAWN:- CAR
DATE:- 03/05/2005

PART NO. FROM SERIAL NO. TO SERIAL NO.
11866


ASSEMBLY
AS1736

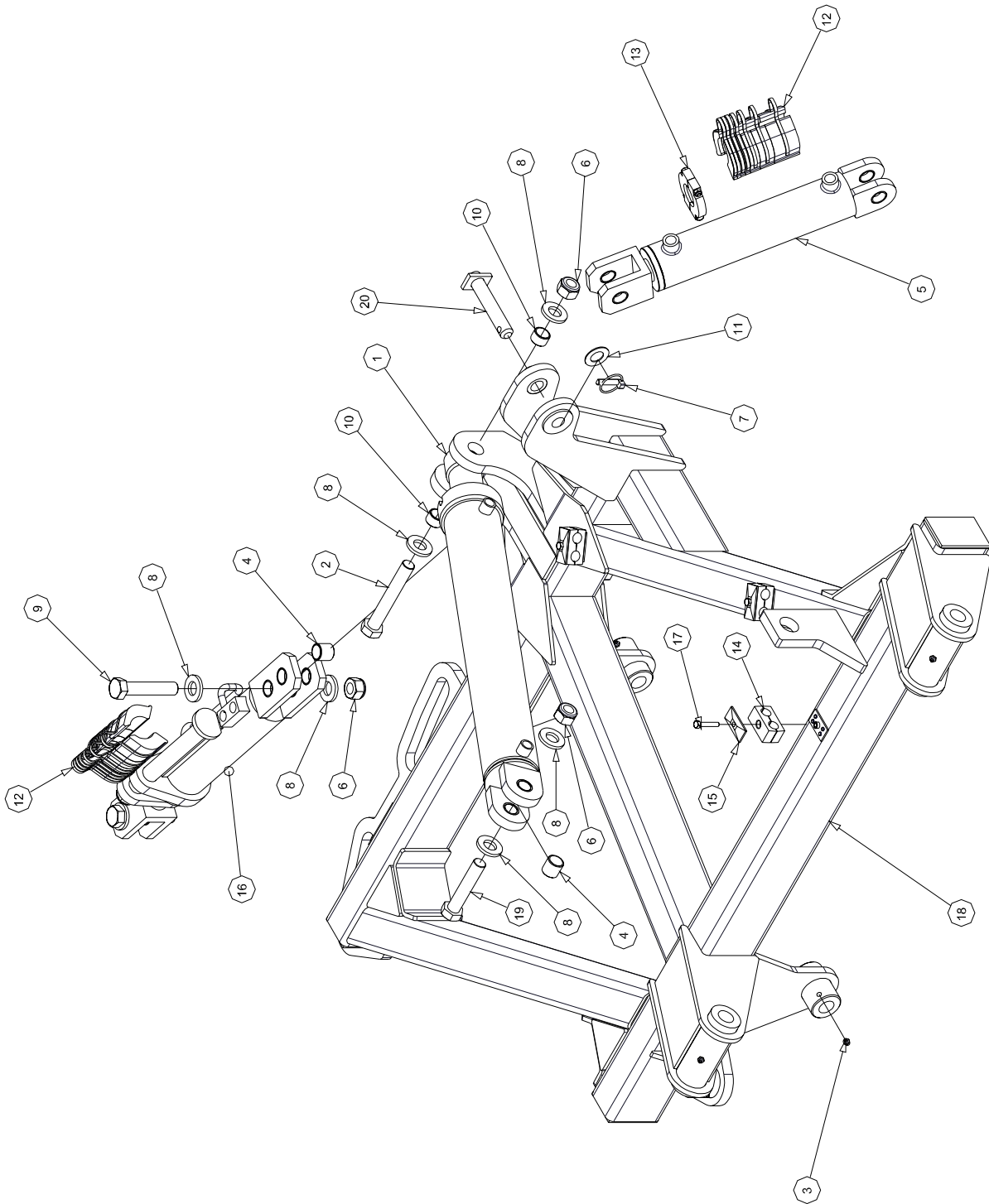
ISSUE
A

AS1736A		FRONT LH WING		
ITEM	PART NO	DESCRIPTION	QTY	COMMENTS
1	P00071	NIPPLE - GREASE	4	
2	P00983	BOLT M30x150 GR. 8.8	2	
3	P01645	BUSH SPRUNG - Ø32xØ26x32	1	
4	P02010	NUT LOCK M24	10	
5	P02011	NUT LOCK M30	2	
6	P02604	WASHER FLAT M24 Ø50	12	
7	P02608	WASHER FLAT M30	4	
8	P03117	BOLT M24x120 GR. 8.8	2	
9	P04025	BOLT M24x90 GR. 8.8	8	
10	P08802	SHIM KIT 7 PIECE	1	
11	P09035	RAM POINT BOLT ON	2	
12	P09093	SHIM - 2mm	2	
13	P09106	SHIM - 3mm	2	
14	P09112	CLAMP ½" BSP PAIR	3	
15	P09113	CLAMP - TOP PLATE	3	
16	P09436	CYLINDER - Ø75x200 - 45	1	
17	P10278	BOLT M8x45 GR. 8.8	3	
18	P10636	BUSH SPRUNG - Ø40xØ31x20	4	
19	P13263	FRONT WING LH - 600	1	
20				
21				
22				
23				
24				
25				
26				
27				
28				
29				
30				
31				
32				
33				
34				
35				
36				
37				
38				
39				
40				
41				
42				
43				
44				
45				
46				
47				
48				
49				
50				



DESCRIPTION: FRONT RH WING	MACHINE: SOLO 600	© 2005	DRAWN: CAR DATE: 04/05/2005	PART NO. 11866	FROM SERIAL NO. TO SERIAL NO. 11866	ASSEMBLY AS1737	ISSUE A
--------------------------------------	----------------------	--------	--------------------------------	-------------------	--	---------------------------	-------------------

AS1737A		FRONT RH WING		
ITEM	PART NO	DESCRIPTION	QTY	COMMENTS
1	P00071	NIPPLE - GREASE	4	
2	P00983	BOLT M30x150 GR. 8.8	2	
3	P01645	BUSH SPRUNG - Ø32xØ26x32	1	
4	P02010	NUT LOCK M24	10	
5	P02011	NUT LOCK M30	2	
6	P02604	WASHER FLAT M24 Ø50	12	
7	P02608	WASHER FLAT M30	4	
8	P03117	BOLT M24x120 GR. 8.8	2	
9	P04025	BOLT M24x90 GR. 8.8	8	
10	P08802	SHIM KIT 7 PIECE	1	
11	P09035	RAM POINT BOLT ON	2	
12	P09093	SHIM - 2mm	2	
13	P09106	SHIM - 3mm	2	
14	P09112	CLAMP ½" BSP PAIR	3	
15	P09113	CLAMP - TOP PLATE	3	
16	P09436	CYLINDER - Ø75x200 - 45	1	
17	P10278	BOLT M8x45 GR. 8.8	3	
18	P10636	BUSH SPRUNG - Ø40xØ31x20	4	
19	P13266	FRONT WING RH - 600	1	
20				
21				
22				
23				
24				
25				
26				
27				
28				
29				
30				
31				
32				
33				
34				
35				
36				
37				
38				
39				
40				
41				
42				
43				
44				
45				
46				
47				
48				
49				
50				



DESCRIPTION:
SOLO 450 REAR LH WING MID ROLL

MACHINE:-



© 2005

DRAWN:- CAR
DATE:- 26/04/2005


PART NO.
11447

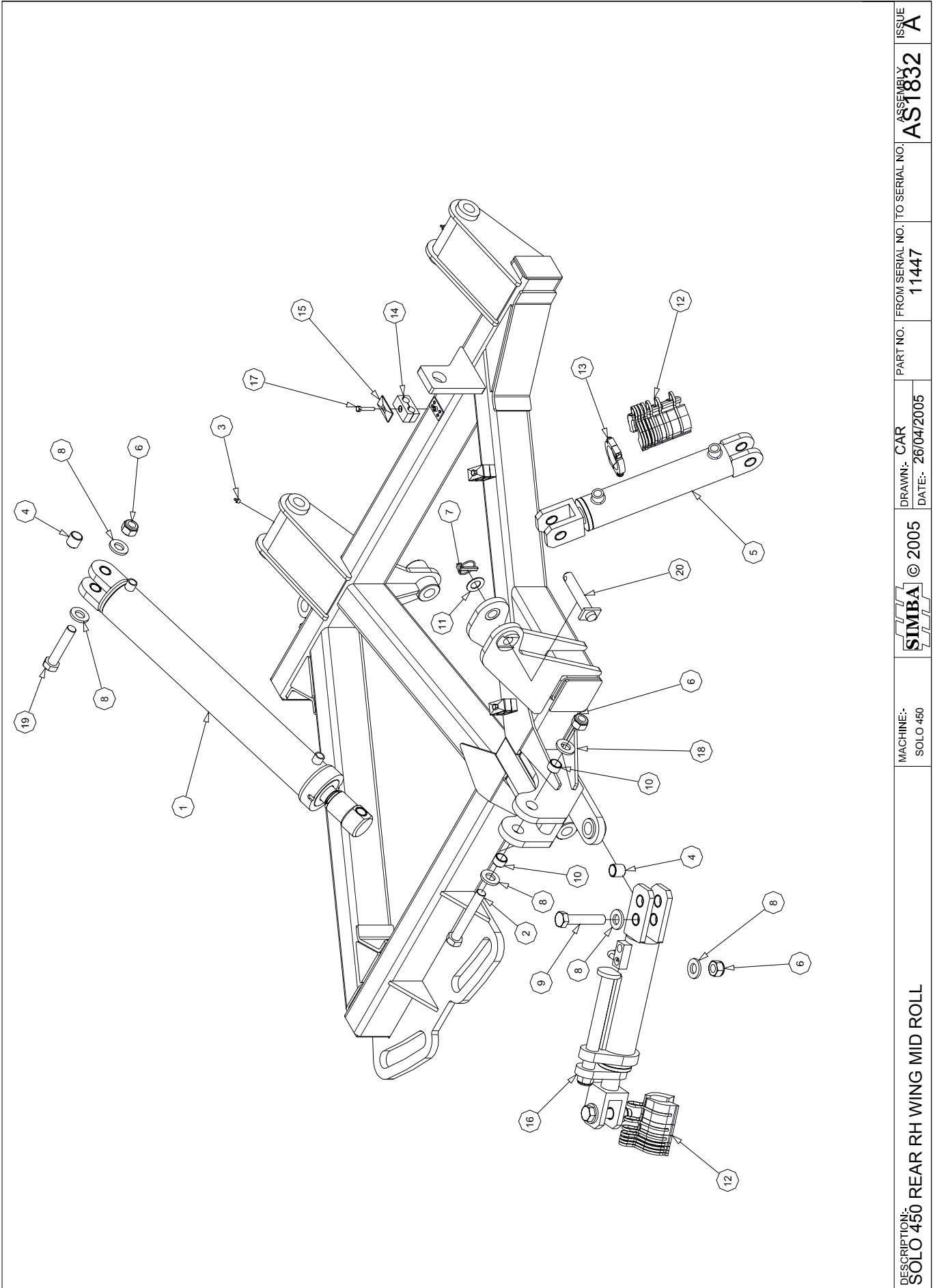
FROM SERIAL NO. TO SERIAL NO.
11447

ASSEMBLY
AS1831


ISSUE
A

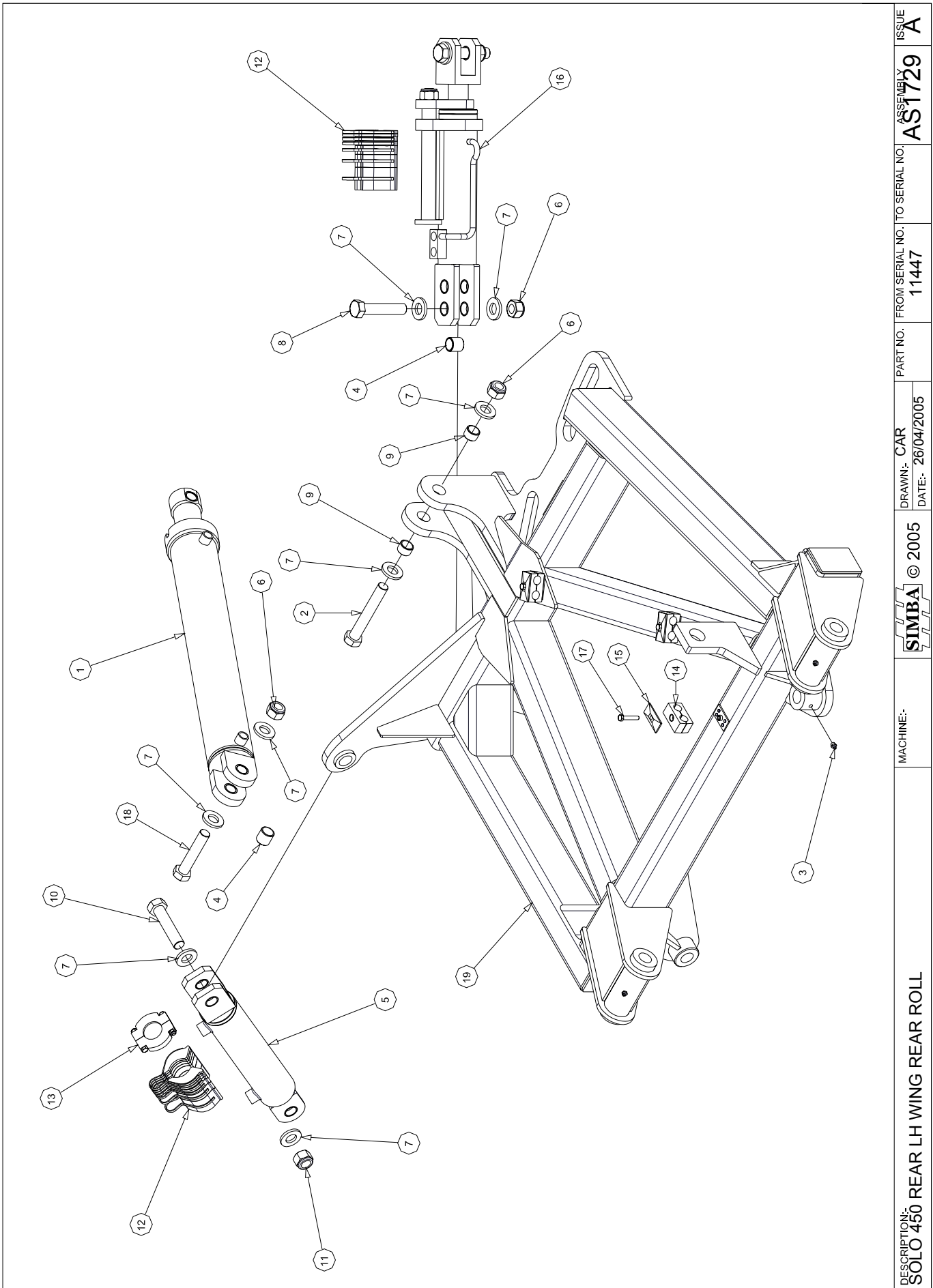


AS1831		REAR WING LH MID ROLL SOLO 450		
ITEM	PART NO	DESCRIPTION	QTY	COMMENTS
1	AS1718	SOLO 450 REAR WING CYL ASSEMBLY	1	
2	P00023	BOLT M24x160 GR. 8.8	1	
3	P00071	NIPPLE - GREASE	5	
4	P01645	BUSH SPRUNG - Ø32xØ26x32	2	
5	P01913	CYLINDER - Ø75x250 - 45	1	
6	P02010	NUT LOCK M24	4	
7	P02484	LYNCH PIN CAT 2	1	
8	P02604	WASHER FLAT M24 Ø50	8	
9	P03117	BOLT M24x120 GR. 8.8	2	
10	P04126	BUSH SPRUNG - Ø32xØ26x20	2	
11	P08331	1" DIA TABLE 3 LIGHT	1	
12	P08802	SHIM KIT 7 PIECE	2	
13	P08833	SHIM COLLAR Ø45	1	
14	P09112	CLAMP ½" BSP PAIR	3	
15	P09113	CLAMP - TOP PLATE	3	
16	P09436	CYLINDER - Ø75x200 - 45	1	
17	P10278	BOLT M8x45 GR. 8.8	3	
18	P12266	WING REAR LH	1	
19	P12610	BOLT M24x120 GR 10.9 STR	1	
20	P13508	REAR ROLL PIN	1	
21				
22				
23				
24				
25				
26				
27				
28				
29				
30				
31				
32				
33				
34				
35				
36				
37				
38				
39				
40				
41				
42				
43				
44				
45				
46				
47				
48				
49				
50				



DESCRIPTION: SOLO 450 REAR RH WING MID ROLL	MACHINE: SOLO 450	SIMBA © 2005	DRAWN: CAR DATE: 26/04/2005	PART NO. 11447	FROM SERIAL NO. TO SERIAL NO. 11447	ASSEMBLY AS1832	ISSUE A
--	----------------------	--------------	--------------------------------	-------------------	--	--------------------	------------

AS1832A		REAR RH WING MID ROLL		
ITEM	PART NO	DESCRIPTION	QTY	COMMENTS
1	AS1718	SOLO 450 REAR WING CYL ASSEMBLY	1	
2	P00023	BOLT M24x160 GR. 8.8	1	
3	P00071	NIPPLE - GREASE	5	
4	P01645	BUSH SPRUNG - Ø32xØ26x32	2	
5	P01913	CYLINDER - Ø75x250 - 45	1	
6	P02010	NUT LOCK M24	4	
7	P02484	LYNCH PIN CAT 2	1	
8	P02604	WASHER FLAT M24 Ø50	8	
9	P03117	BOLT M24x120 GR. 8.8	2	
10	P04126	BUSH SPRUNG - Ø32xØ26x20	2	
11	P08331	1" DIA TABLE 3 LIGHT	1	
12	P08802	SHIM KIT 7 PIECE	2	
13	P08833	SHIM COLLAR Ø45	1	
14	P09112	CLAMP ½" BSP PAIR	3	
15	P09113	CLAMP - TOP PLATE	3	
16	P09436	CYLINDER - Ø75x200 - 45	1	
17	P10278	BOLT M8x45 GR. 8.8	3	
18	P12463	WING REAR RH	1	
19	P12610	BOLT M24x120 GR 10.9 STR	1	
20	P13508	REAR ROLL PIN	1	
21				
22				
23				
24				
25				
26				
27				
28				
29				
30				
31				
32				
33				
34				
35				
36				
37				
38				
39				
40				
41				
42				
43				
44				
45				
46				
47				
48				
49				
50				



DESCRIPTION:
SOLO 450 REAR LH WING REAR ROLL

MACHINE:-


SIMBA © 2005

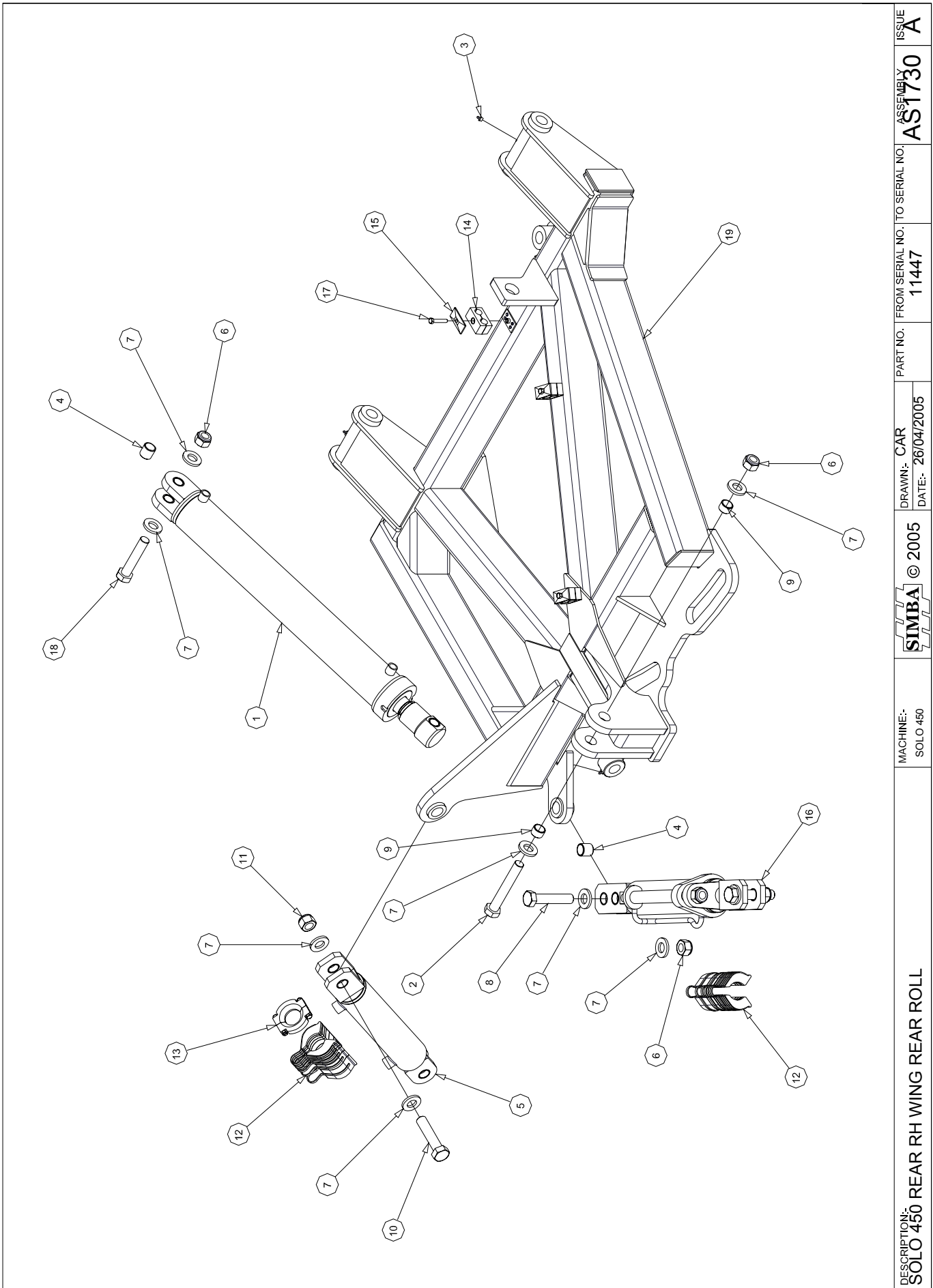
DRAWN:- CAR
DATE:- 26/04/2005

PART NO. FROM SERIAL NO. TO SERIAL NO.
11447

ASSEMBLY
AS1729

ISSUE
A

AS1729A		SOLO 450 REAR LH WING REAR ROLL			
ITEM	PART NO	DESCRIPTION	QTY	COMMENTS	
1	AS1718	SOLO 450 REAR WING CYL ASSEMBLY	1		
2	P00023	BOLT M24x160 GR. 8.8	1		
3	P00071	NIPPLE - GREASE	5		
4	P01645	BUSH SPRUNG - Ø32xØ26x32	2		
5	P01913	CYLINDER - Ø75x250 - 45	1		
6	P02010	NUT LOCK M24	4		
7	P02604	WASHER FLAT M24 Ø50	10		
8	P03117	BOLT M24x120 GR. 8.8	2		
9	P04126	BUSH SPRUNG - Ø32xØ26x20	2		
10	P05491	BOLT 1" UNFx4½" GR. V	1		
11	P05492	NUT LOCK 1" UNF	1		
12	P08802	SHIM KIT 7 PIECE	2		
13	P08833	SHIM COLLAR Ø45	1		
14	P09112	CLAMP ½" BSP PAIR	3		
15	P09113	CLAMP - TOP PLATE	3		
16	P09436	CYLINDER - Ø75x200 - 45	1		
17	P10278	BOLT M8x45 GR. 8.8	3		
18	P12610	BOLT M24x120 GR 10.9 STR	1		
19	P12657	WING REAR LH	1		
20					
21					
22					
23					
24					
25					
26					
27					
28					
29					
30					
31					
32					
33					
34					
35					
36					
37					
38					
39					
40					
41					
42					
43					
44					
45					
46					
47					
48					
49					
50					



DESCRIPTION:
SOLO 450 REAR RH WING REAR ROLL

MACHINE:-
SOLO 450

SIMBA © 2005


DRAWN:- CAR
DATE:- 26/04/2005

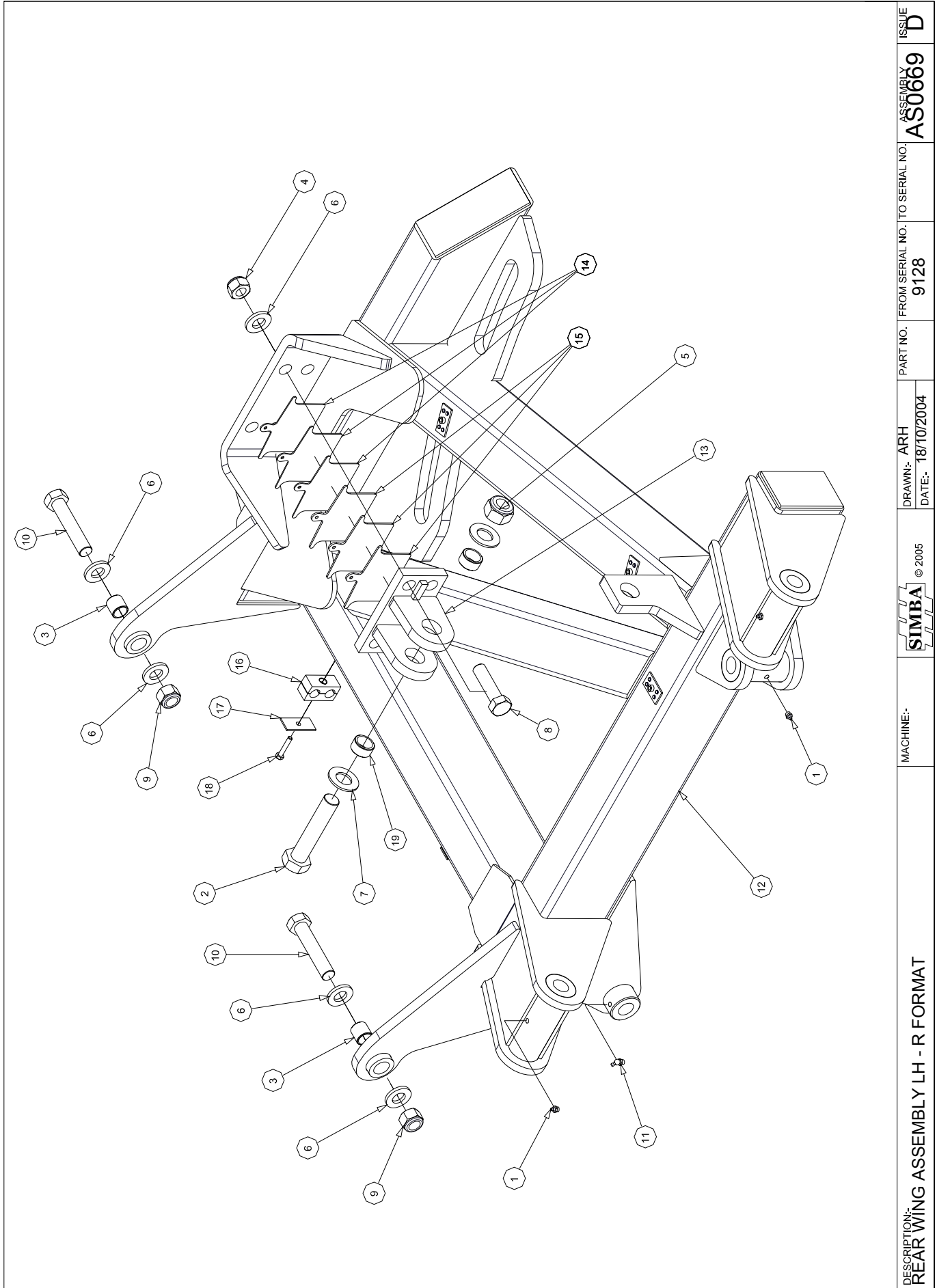
PART NO.
11447

FROM SERIAL NO. TO SERIAL NO.
11447


ASSEMBLY
AS1730

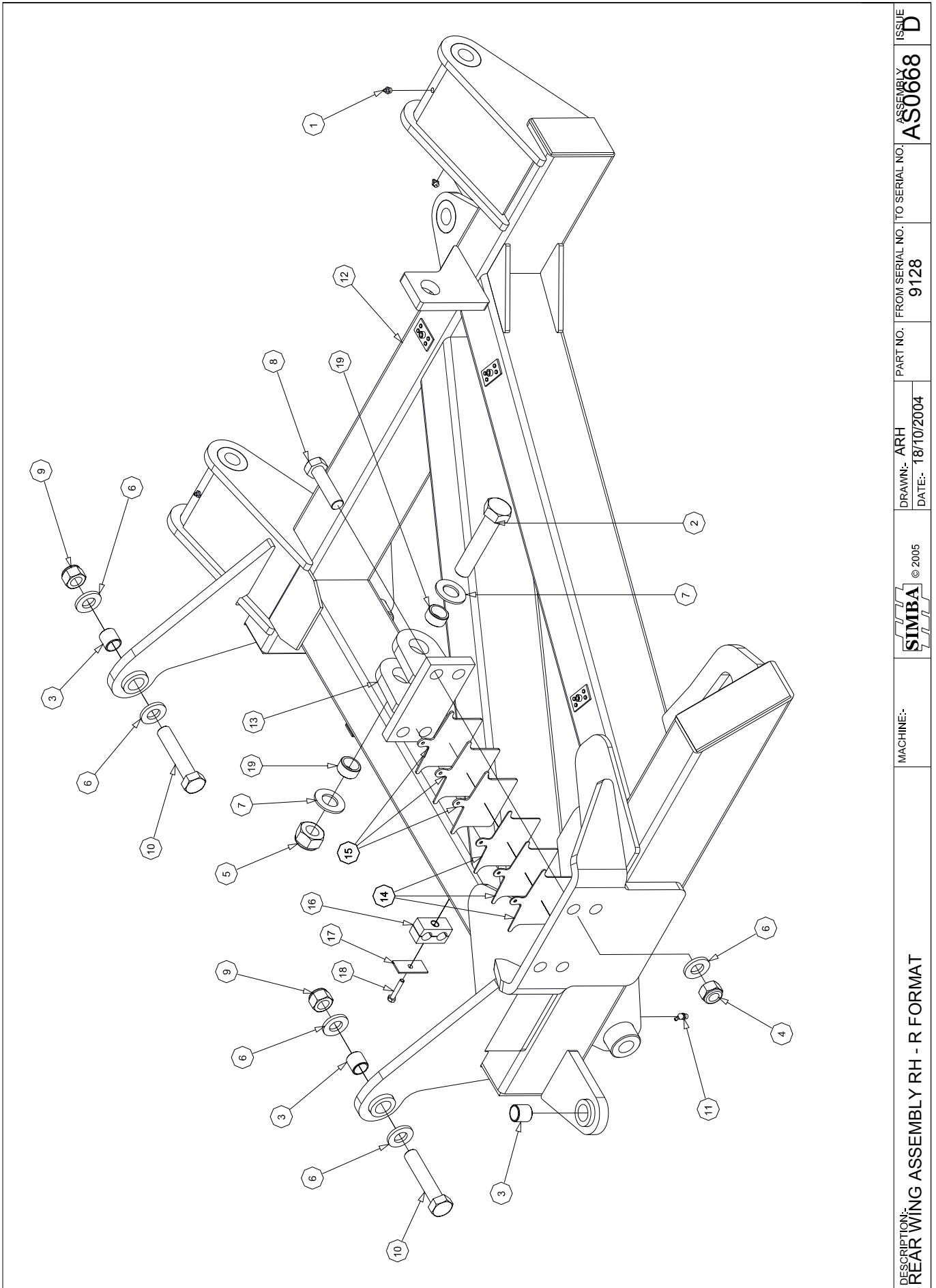
ISSUE
A

AS1730A		SOLO 450 REAR RH WING REAR ROLL		
ITEM	PART NO	DESCRIPTION	QTY	COMMENTS
1	AS1718	SOLO 450 REAR WING CYL ASSEMBLY	1	
2	P00023	BOLT M24x160 GR. 8.8	1	
3	P00071	NIPPLE - GREASE	5	
4	P01645	BUSH SPRUNG - Ø32xØ26x32	2	
5	P01913	CYLINDER - Ø75x250 - 45	1	
6	P02010	NUT LOCK M24	4	
7	P02604	WASHER FLAT M24 Ø50	10	
8	P03117	BOLT M24x120 GR. 8.8	2	
9	P04126	BUSH SPRUNG - Ø32xØ26x20	2	
10	P05491	BOLT 1" UNFx4½" GR. V	1	
11	P05492	NUT LOCK 1" UNF	1	
12	P08802	SHIM KIT 7 PIECE	2	
13	P08833	SHIM COLLAR Ø45	1	
14	P09112	CLAMP ½" BSP PAIR	3	
15	P09113	CLAMP - TOP PLATE	3	
16	P09436	CYLINDER - Ø75x200 - 45	1	
17	P10278	BOLT M8x45 GR. 8.8	3	
18	P12610	BOLT M24x120 GR 10.9 STR	1	
19	P12669	WING REAR RH R-R450	1	
20				
21				
22				
23				
24				
25				
26				
27				
28				
29				
30				
31				
32				
33				
34				
35				
36				
37				
38				
39				
40				
41				
42				
43				
44				
45				
46				
47				
48				
49				
50				



DESCRIPTION: REAR WING ASSEMBLY LH - R FORMAT	MACHINE:-	© 2005	DRAWN:- ARH DATE:- 18/10/2004	PART NO. FROM SERIAL NO. TO SERIAL NO. 9128	ASSEMBLY AS0669	ISSUE D
--	-----------	--------	----------------------------------	--	--------------------	------------

AS0669		REAR WING ASSEMBLY LH SOLO 600		
ITEM	PART NO	DESCRIPTION	QTY	COMMENTS
1	P00071	NIPPLE - GREASE	3	
2	P00983	BOLT M30x150 GR. 8.8	1	
3	P01645	BUSH SPRUNG - Ø32xØ26x32	3	
4	P02010	NUT LOCK M24	4	
5	P02011	NUT LOCK M30	1	
6	P02604	WASHER FLAT M24 Ø50	8	
7	P02608	WASHER FLAT M30	2	
8	P04025	BOLT M24x90 GR. 8.8	4	
9	P05492	NUT LOCK 1" UNF	2	
10	P05567	BOLT 1" UNFx5" GR. V	2	
11	P07361	GREASE NIPPLE 45°	2	
12	P09033	REAR WING CARRIER LH	1	
13	P09035	RAM POINT BOLT ON	1	
14	P09093	SHIM - 2mm	3	
15	P09106	SHIM - 3mm	3	
16	P09112	CLAMP ½" BSP PAIR	2	
17	P09113	CLAMP - TOP PLATE	2	
18	P10278	BOLT M8x45 GR. 8.8	2	
19	P10636	BUSH SPRUNG - Ø40xØ31x20	2	
20				
21				
22				
23				
24				
25				
26				
27				
28				
29				
30				
31				
32				
33				
34				
35				
36				
37				
38				
39				
40				
41				
42				
43				
44				
45				
46				
47				
48				
49				
50				



DESCRIPTION:
REAR WING ASSEMBLY RH - R FORMAT

MACHINE:-



DRAWN:- ARH
DATE:- 18/10/2004


PART NO.

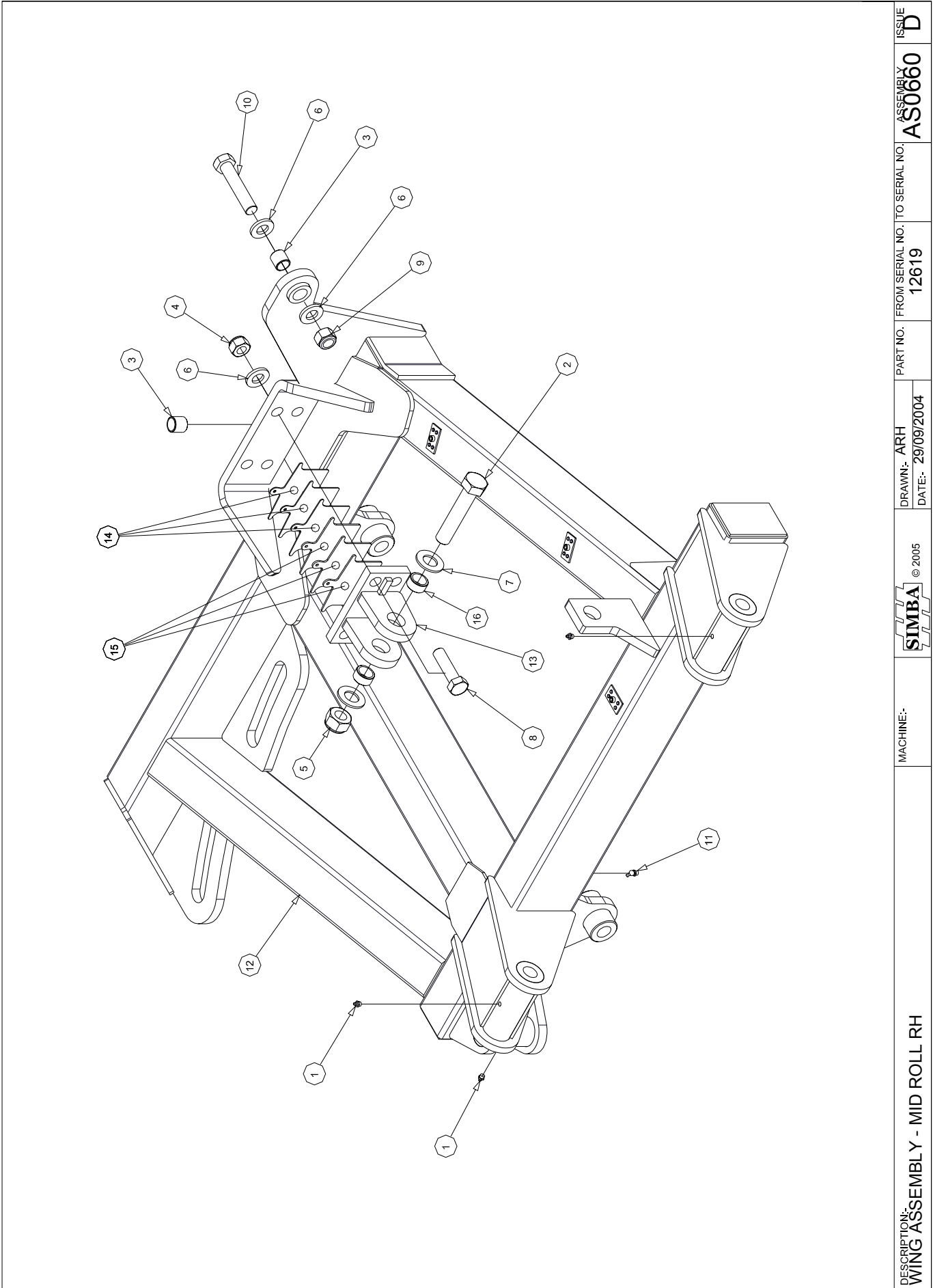
9128

FROM SERIAL NO. TO SERIAL NO.


ASSEMBLY
AS0668

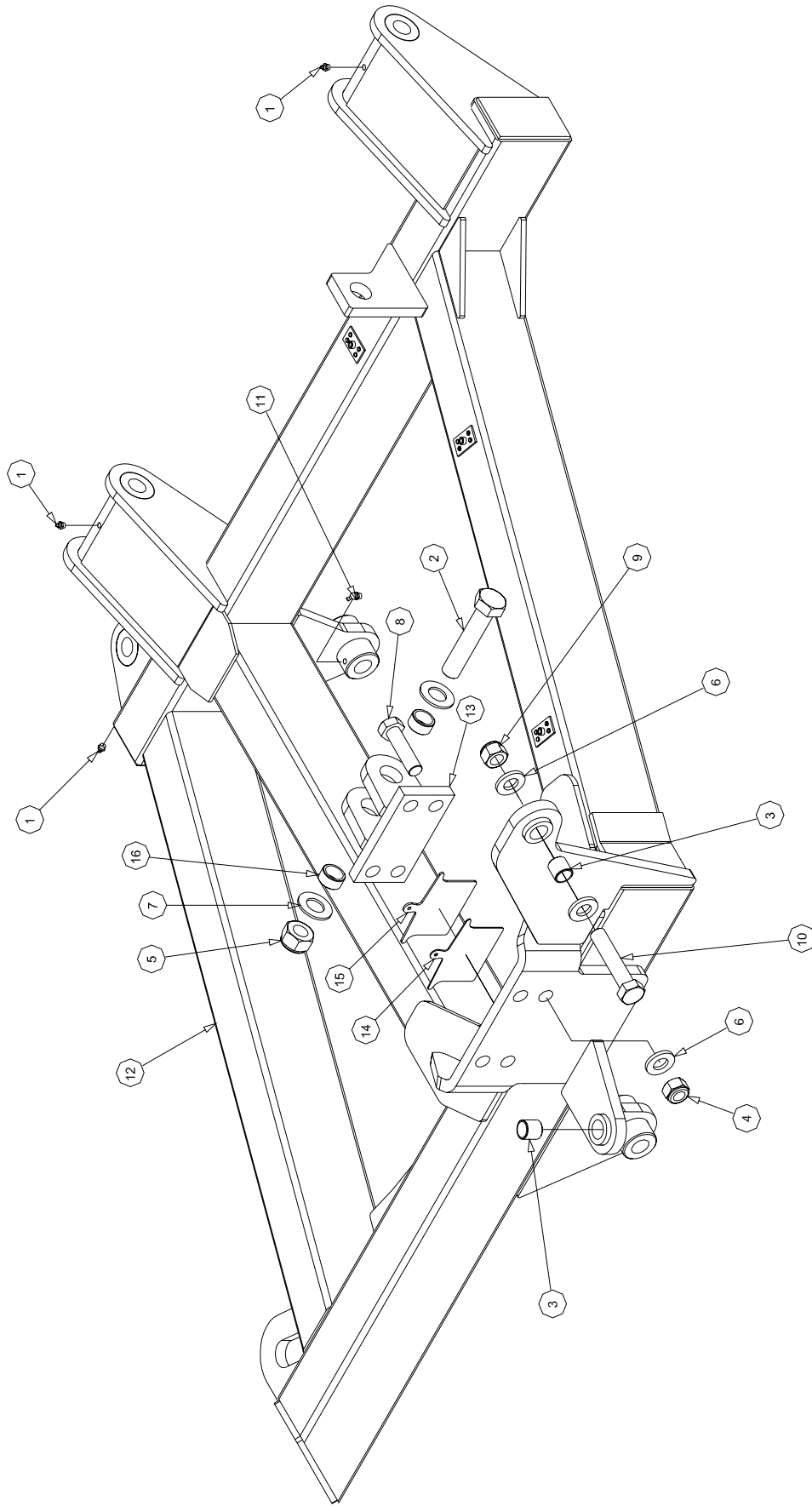
ISSUE
D

AS0668		REAR WING ASSEMBLY RH SOLO 600			
ITEM	PART NO	DESCRIPTION	QTY	COMMENTS	
1	P00071	NIPPLE - GREASE	3		
2	P00983	BOLT M30x150 GR. 8.8	1		
3	P01645	BUSH SPRUNG - Ø32xØ26x32	3		
4	P02010	NUT LOCK M24	4		
5	P02011	NUT LOCK M30	1		
6	P02604	WASHER FLAT M24 Ø50	8		
7	P02608	WASHER FLAT M30	2		
8	P04025	BOLT M24x90 GR. 8.8	4		
9	P05492	NUT LOCK 1" UNF	2		
10	P05567	BOLT 1" UNFx5" GR. V	2		
11	P07361	GREASE NIPPLE 45°	2		
12	P09032	REAR WING CARRIER RH	1		
13	P09035	RAM POINT BOLT ON	1		
14	P09093	SHIM - 2mm	3		
15	P09106	SHIM - 3mm	3		
16	P09112	CLAMP ½" BSP PAIR	2		
17	P09113	CLAMP - TOP PLATE	2		
18	P10278	BOLT M8x45 GR. 8.8	2		
19	P10636	BUSH SPRUNG - Ø40xØ31x20	2		
20					
21					
22					
23					
24					
25					
26					
27					
28					
29					
30					
31					
32					
33					
34					
35					
36					
37					
38					
39					
40					
41					
42					
43					
44					
45					
46					
47					
48					
49					
50					



DESCRIPTION: WING ASSEMBLY - MID ROLL RH	MACHINE:-	SIMBA © 2005	DRAWN:- ARH DATE:- 29/09/2004	PART NO. FROM SERIAL NO. TO SERIAL NO. 12619	ASSEMBLY AS0660	ISSUE D
---	-----------	--------------	----------------------------------	---	--------------------	------------

AS0660D		SOLO 600 - MID ROLL WING LH		
ITEM	PART NO	DESCRIPTION	QTY	COMMENTS
1	P00071	NIPPLE - GREASE	3	
2	P00983	BOLT M30x150 GR. 8.8	1	
3	P01645	BUSH SPRUNG - Ø32xØ26x32	2	
4	P02010	NUT LOCK M24	4	
5	P02011	NUT LOCK M30	1	
6	P02604	WASHER FLAT M24 Ø50	6	
7	P02608	WASHER FLAT M30	2	
8	P04025	BOLT M24x90 GR. 8.8	4	
9	P05492	NUT LOCK 1" UNF	1	
10	P05567	BOLT 1" UNFx5" GR. V	1	
11	P07361	GREASE NIPPLE 45°	2	
12	P09019	WING CARRIER REAR LH MID ROLL	1	
13	P09035	RAM POINT BOLT ON	1	
14	P09093	SHIM - 2mm	3	
15	P09106	SHIM - 3mm	3	
16	P10636	BUSH SPRUNG - Ø40xØ31x20	2	
17				
18				
19				
20				
21				
22				
23				
24				
25				
26				
27				
28				
29				
30				
31				
32				
33				
34				
35				
36				
37				
38				
39				
40				
41				
42				
43				
44				
45				
46				
47				
48				
49				
50				



DESCRIPTION:
WING CARRIER ASSEMBLY REAR RH MID ROLL

SIMBA © 2004


DRAWN: ARH
DATE: 28/09/2004

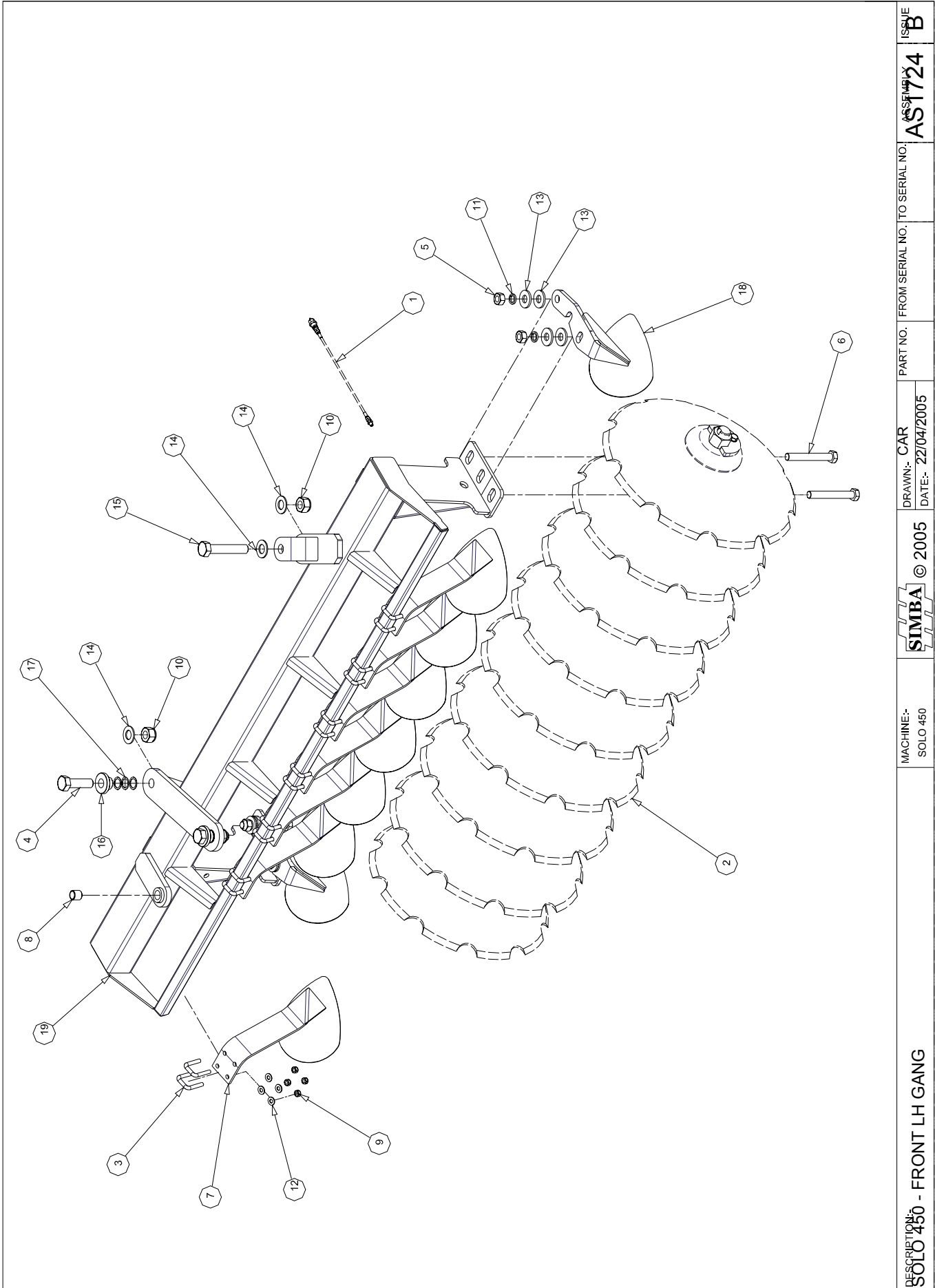
PART NO. FROM SERIAL NO. TO SERIAL NO.
12619

ASSEMBLY
AS0659

ISSUE
D




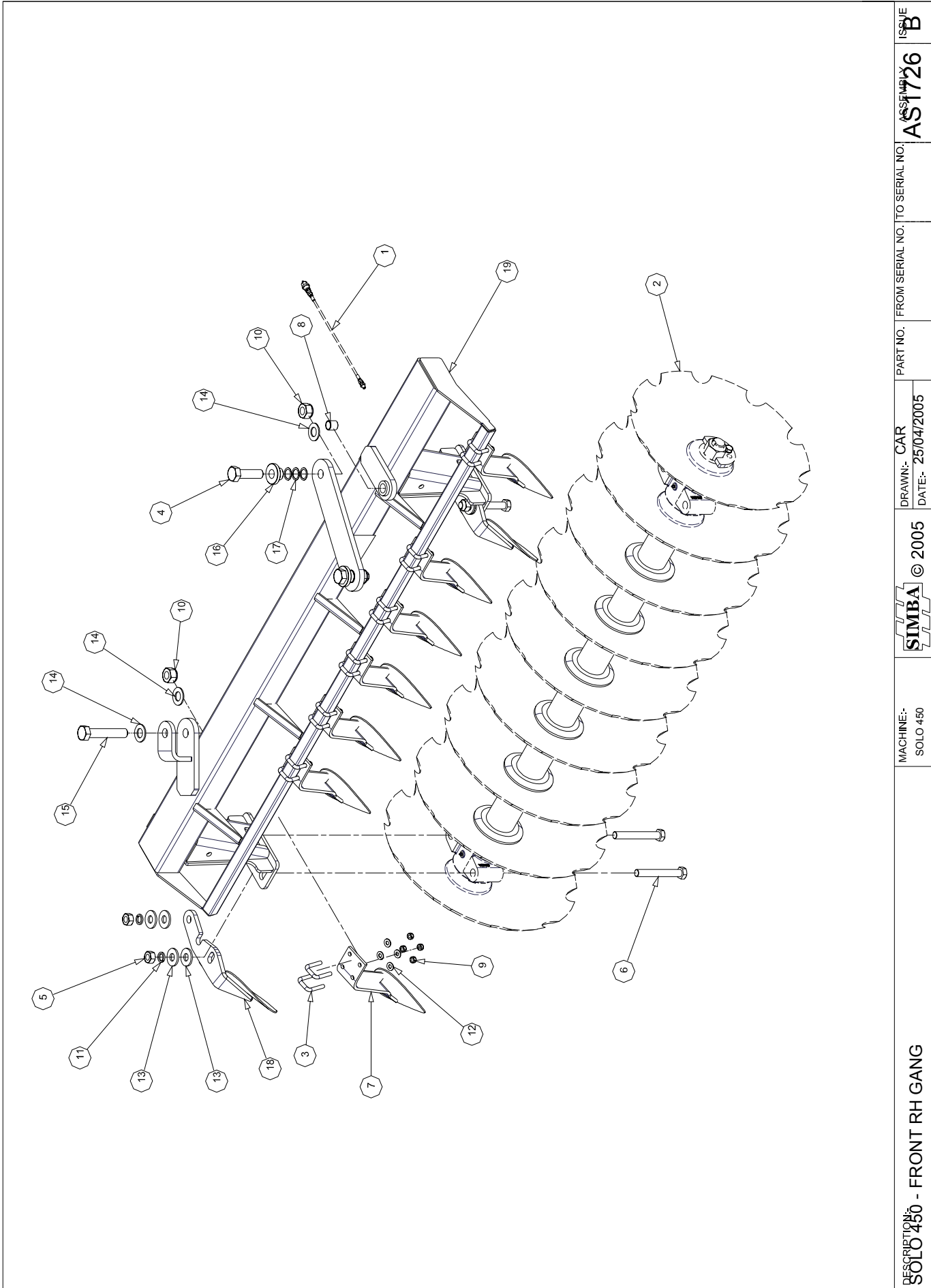
AS0659D		SOLO 600 - MID ROLL WING RH			
ITEM	PART NO	DESCRIPTION	QTY	COMMENTS	
1	P00071	NIPPLE - GREASE	3		
2	P00983	BOLT M30x150 GR. 8.8	1		
3	P01645	BUSH SPRUNG - Ø32xØ26x32	2		
4	P02010	NUT LOCK M24	4		
5	P02011	NUT LOCK M30	1		
6	P02604	WASHER FLAT M24 Ø50	6		
7	P02608	WASHER FLAT M30	2		
8	P04025	BOLT M24x90 GR. 8.8	4		
9	P05492	NUT LOCK 1" UNF	1		
10	P05567	BOLT 1" UNFx5" GR. V	1		
11	P07361	GREASE NIPPLE 45°	2		
12	P09018	WING CARRIER REAR RH MID ROLL	1		
13	P09035	RAM POINT BOLT ON	1		
14	P09093	SHIM - 2mm	3		
15	P09106	SHIM - 3mm	3		
16	P10636	BUSH SPRUNG - Ø40xØ31x20	2		
17					
18					
19					
20					
21					
22					
23					
24					
25					
26					
27					
28					
29					
30					
31					
32					
33					
34					
35					
36					
37					
38					
39					
40					
41					
42					
43					
44					
45					
46					
47					
48					
49					
50					



MACHINE:- SOLO 450	© 2005 SIMBA	DRAWN:- CAR DATE:- 22/04/2005	PART NO. FROM SERIAL NO. TO SERIAL NO.	ASSEMBLY AS1724	ISSUE B
-----------------------	-----------------	----------------------------------	--	--------------------	------------

DESCRIPTION:- FRONT LH GANG

AS1724		SOLO 450 - FRONT LH GANG		
ITEM	PART NO	DESCRIPTION	QTY	COMMENTS
1	AS1725	SR 2/3 DISC GREASE PIPE ASSEMBLY	2	
2	AS1743	9 BLADE SR2 GANG	1	
3	P00002	BOLT U M12 GR8.8 70x54	14	
4	P00054	BOLT M30x100 GR. 8.8	2	
5	P00717	NUT PLAIN M24	4	
6	P00789	BOLT M24x180 GR. 8.8	4	
7	P00895	SCRAPER LH THROW	7	
8	P01645	BUSH SPRUNG - Ø32xØ26x32	1	
9	P02007	NUT LOCK M12	28	
10	P02011	NUT LOCK M30	3	
11	P02593	WASHER SPRING M24	4	
12	P02601	WASHER FLAT M12	28	
13	P02605	WASHER FLAT M24 Ø60	8	
14	P02608	WASHER FLAT M30	4	
15	P05047	BOLT M30x160 GR. 8.8 STR	1	
16	P09045	GANG SLIDER BUSH	2	
17	P10184	WASHER SHIM 0.5mm	6	
18	P11887	PILLAR SCRAPER LH THROW	2	
19	P12064	GANG FRONT LH	1	
20				
21				
22				
23				
24				
25				
26				
27				
28				
29				
30				
31				
32				
33				
34				
35				
36				
37				
38				
39				
40				
41				
42				
43				
44				
45				
46				
47				
48				
49				
50				



DESCRIPTION:
SOLO 450 - FRONT RH GANG

MACHINE:-
SOLO 450


SIMBA © 2005

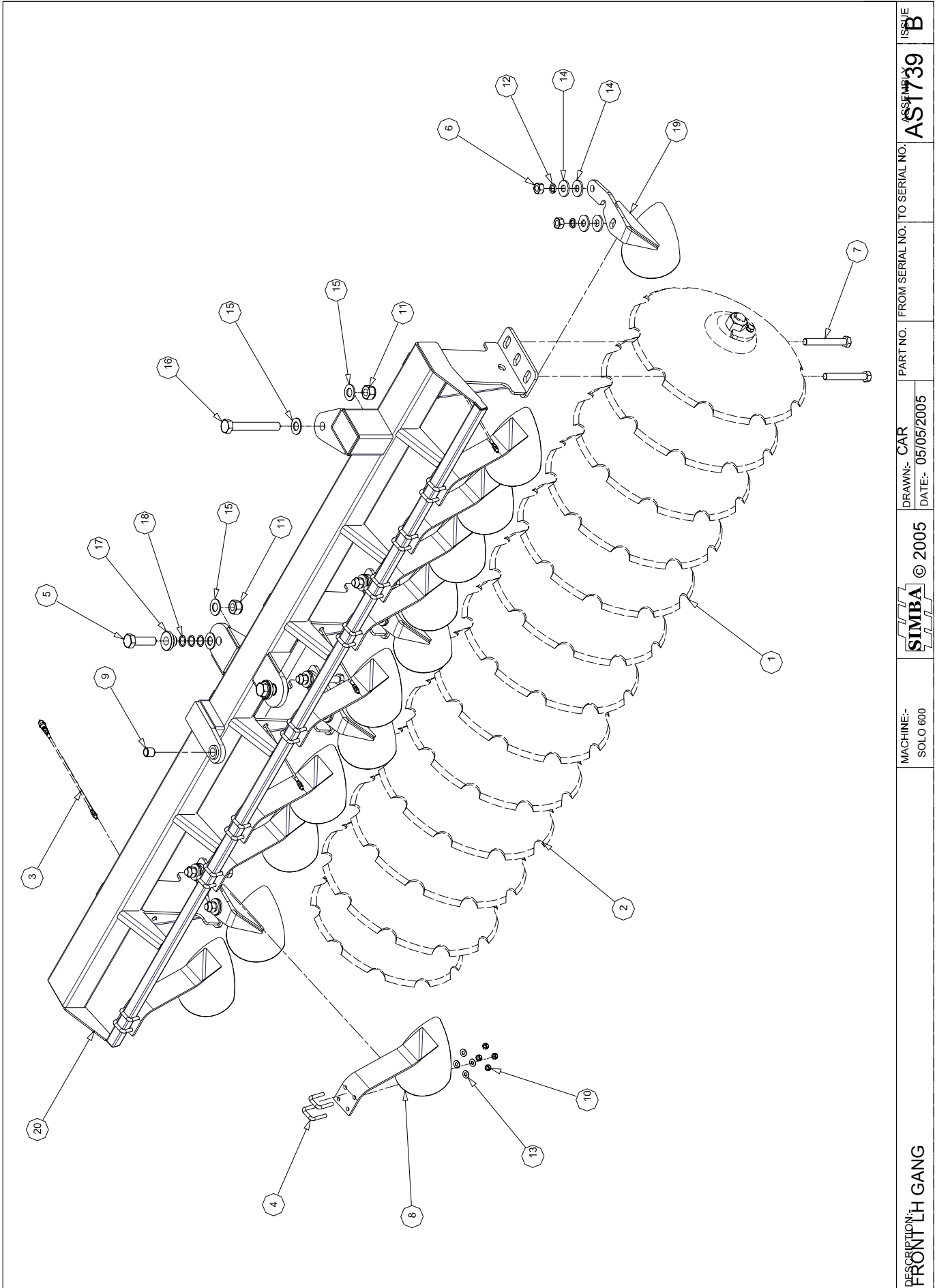
DRAWN:- CAR
DATE:- 25/04/2005

PART NO. FROM SERIAL NO. TO SERIAL NO.


ASSEMBLY
AS1726

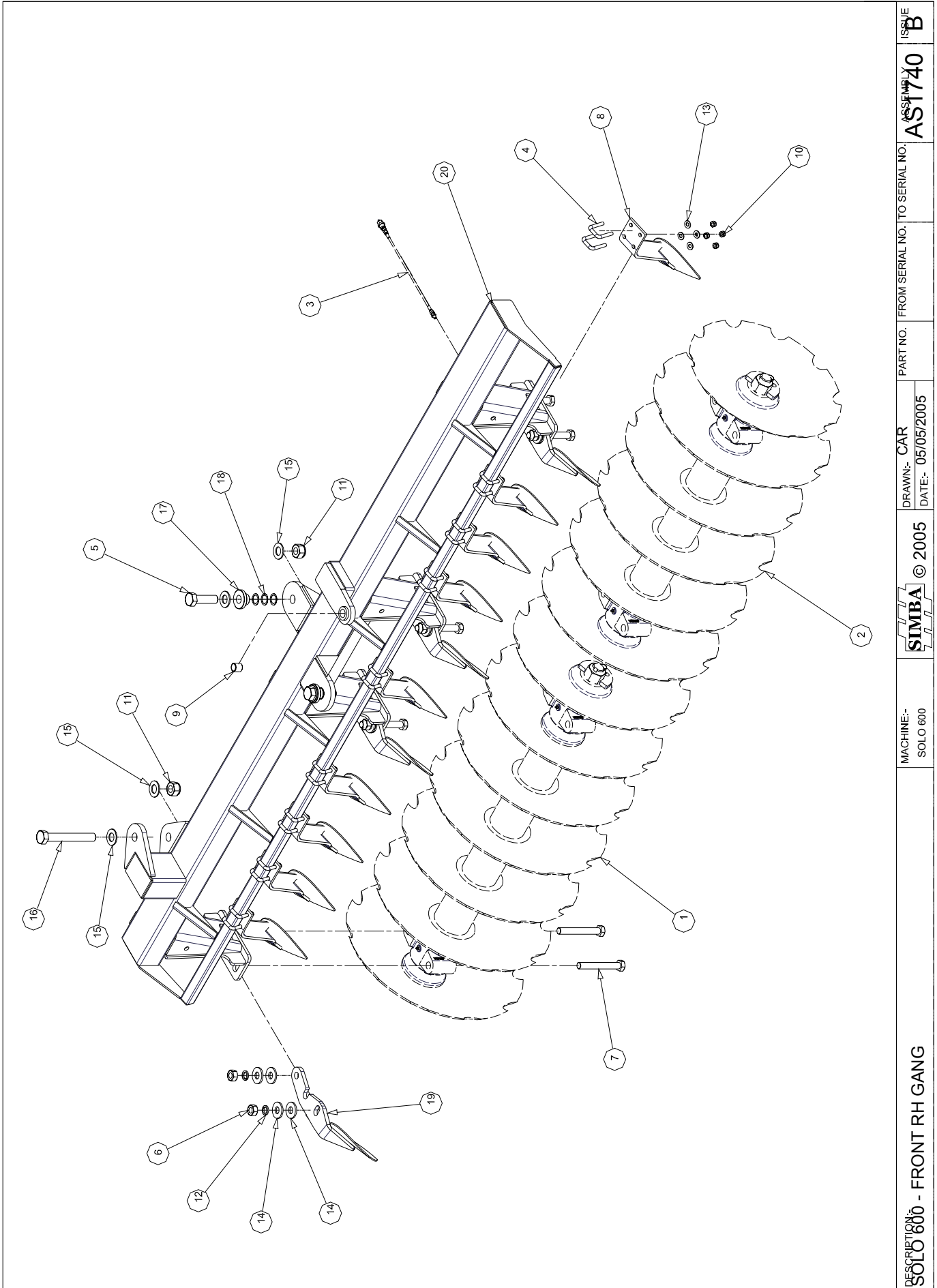
ISSUE
B

AS1726		SOLO 450 - FRONT RH GANG		
ITEM	PART NO	DESCRIPTION	QTY	COMMENTS
1	AS1725	SR 2/3 DISC GREASE PIPE ASSEMBLY	2	
2	AS1743	9 BLADE SR2 GANG	1	
3	P00002	BOLT U M12 GR8.8 70x54	14	
4	P00054	BOLT M30x100 GR. 8.8	2	
5	P00717	NUT PLAIN M24	4	
6	P00789	BOLT M24x180 GR. 8.8	4	
7	P00894	SCRAPER RH THROW	7	
8	P01645	BUSH SPRUNG - Ø32xØ26x32	1	
9	P02007	NUT LOCK M12	28	
10	P02011	NUT LOCK M30	3	
11	P02593	WASHER SPRING M24	4	
12	P02601	WASHER FLAT M12	28	
13	P02605	WASHER FLAT M24 Ø60	8	
14	P02608	WASHER FLAT M30	4	
15	P05047	BOLT M30x160 GR. 8.8 STR	1	
16	P09045	GANG SLIDER BUSH	2	
17	P10184	WASHER SHIM 0.5mm	6	
18	P11888	PILLAR SCRAPER RH THROW	2	
19	P12381	GANG FRONT RH	1	
20				
21				
22				
23				
24				
25				
26				
27				
28				
29				
30				
31				
32				
33				
34				
35				
36				
37				
38				
39				
40				
41				
42				
43				
44				
45				
46				
47				
48				
49				
50				




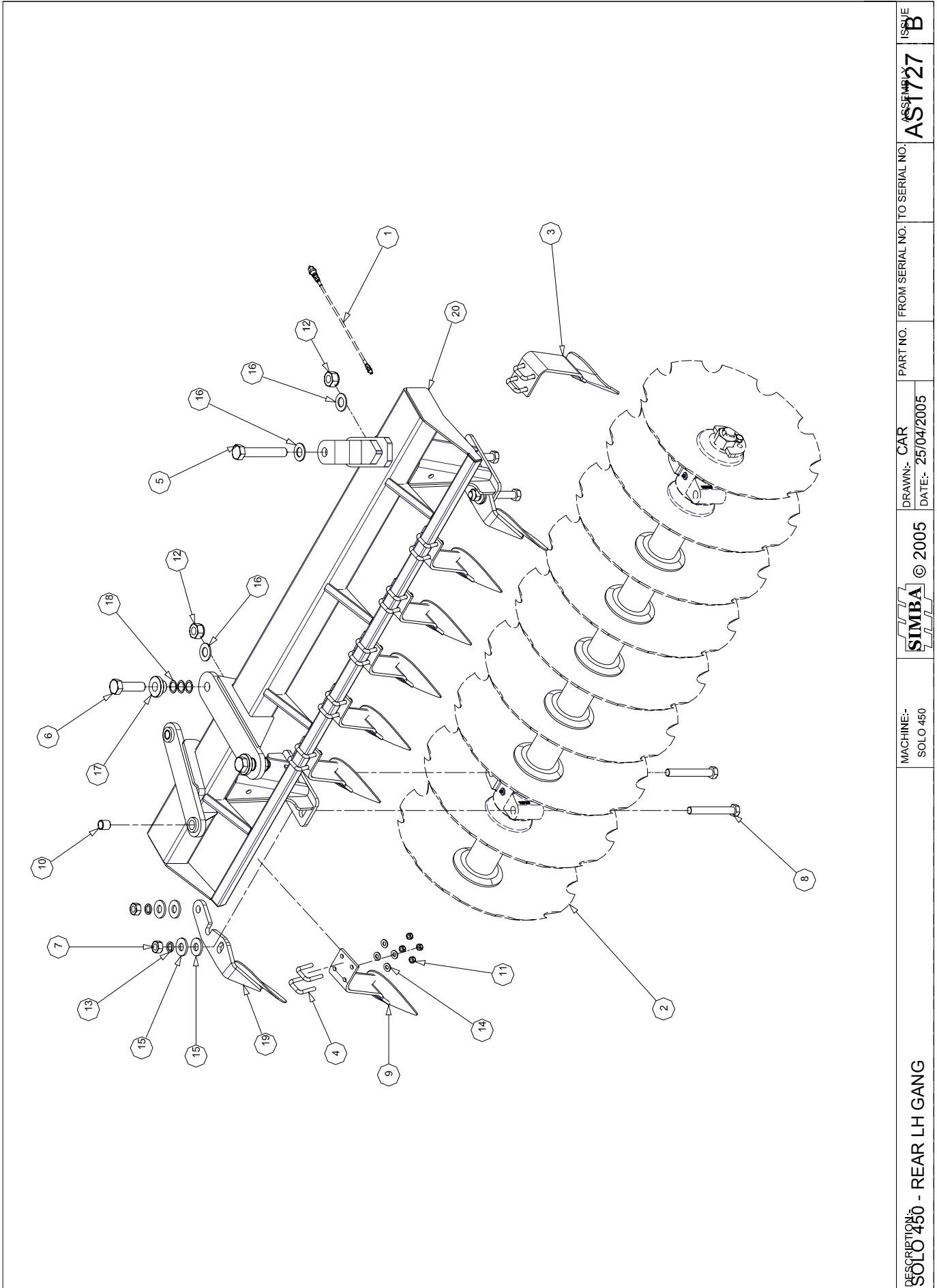
ISSUE	ASSEMBLY	PART NO.	DRAWN:- CAR	MACHINE:- SOLO 600	SIMBA © 2005	DATE:- 05/05/2005	FROM SERIAL NO.	TO SERIAL NO.	ASSEMBLY	ISSUE
									AS1739	B
DESCRIPTION: FRONT LH GANG										

AS1739		FRONT LH GANG		
ITEM	PART NO	DESCRIPTION	QTY	COMMENTS
1	AS0675	DISC GANG 7 BLADE S2	1	
2	AS0676	DISC GANG 1+5 BLADE S2	1	
3	AS1725	SR 2/3 DISC GREASE PIPE ASSEMBLY	4	
4	P00002	BOLT U M12 GR8.8 70x54	18	
5	P00054	BOLT M30x100 GR. 8.8	2	
6	P00717	NUT PLAIN M24	8	
7	P00789	BOLT M24x180 GR. 8.8	8	
8	P00895	SCRAPER LH THROW	9	
9	P01645	BUSH SPRUNG - Ø32xØ26x32	1	
10	P02007	NUT LOCK M12	36	
11	P02011	NUT LOCK M30	3	
12	P02593	WASHER SPRING M24	8	
13	P02601	WASHER FLAT M12	36	
14	P02605	WASHER FLAT M24 Ø60	16	
15	P02608	WASHER FLAT M30	6	
16	P02793	BOLT M30x220 GR. 8.8	1	
17	P09045	GANG SLIDER BUSH	2	
18	P10184	WASHER SHIM 0.5mm	6	
19	P11887	PILLAR SCRAPER LH THROW	4	
20	P13311	GANG FRONT LH - 600	1	
21				
22				
23				
24				
25				
26				
27				
28				
29				
30				
31				
32				
33				
34				
35				
36				
37				
38				
39				
40				
41				
42				
43				
44				
45				
46				
47				
48				
49				
50				




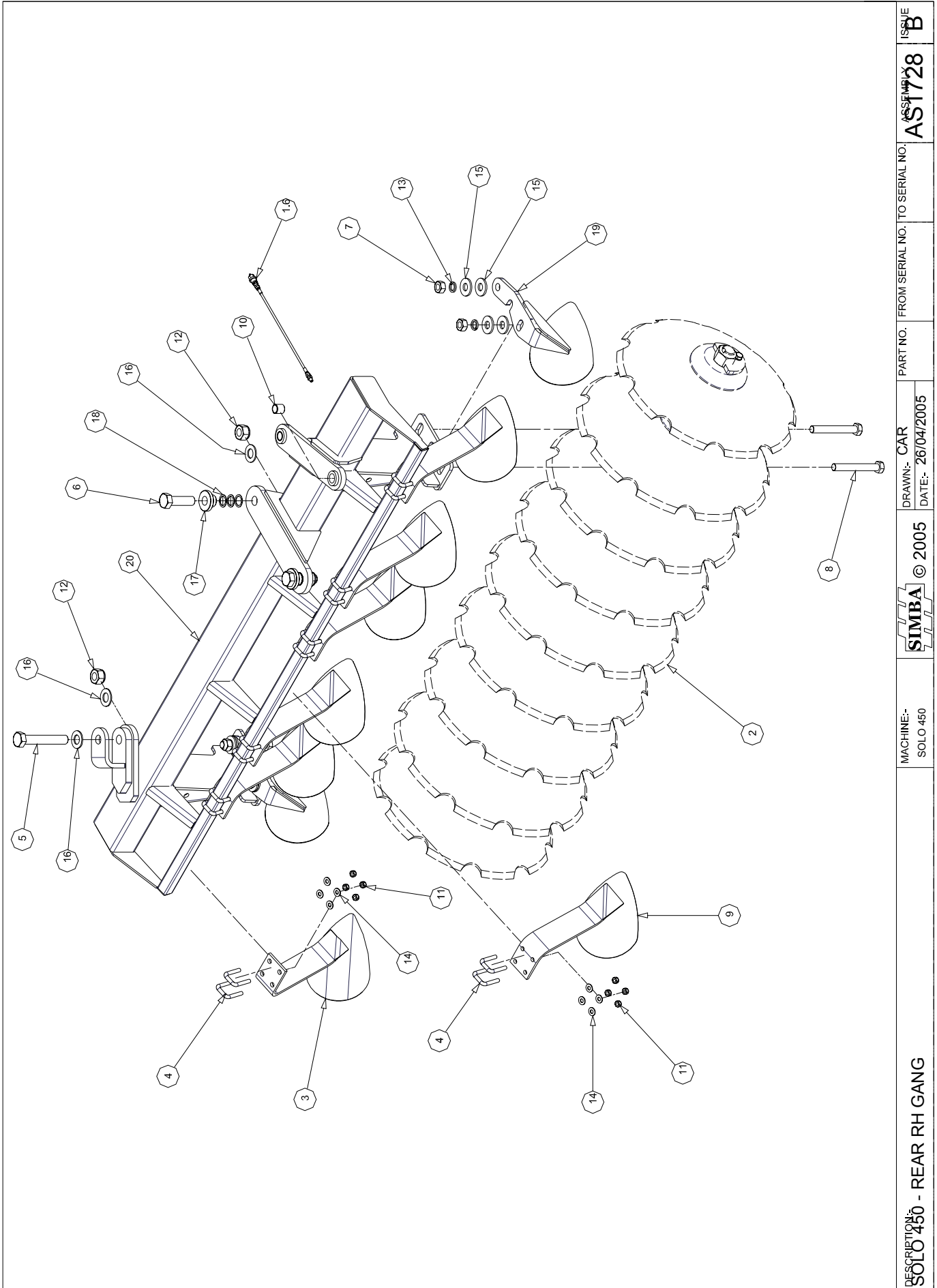
DESCRIPTION: SOLO 600 - FRONT RH GANG	MACHINE:- SOLO 600	SIMBA © 2005	DRAWN:- CAR DATE:- 05/05/2005	PART NO. FROM SERIAL NO. TO SERIAL NO. AS1740	ISSUE B
--	-----------------------	--------------	----------------------------------	--	------------

AS1740		SOLO 600 - FRONT RH GANG		
ITEM	PART NO	DESCRIPTION	QTY	COMMENTS
1	AS0675	DISC GANG 7 BLADE S2	1	
2	AS0676	DISC GANG 1+5 BLADE S2	1	
3	AS1725	SR 2/3 DISC GREASE PIPE ASSEMBLY	4	
4	P00002	BOLT U M12 GR8.8 70x54	18	
5	P00054	BOLT M30x100 GR. 8.8	2	
6	P00717	NUT PLAIN M24	8	
7	P00789	BOLT M24x180 GR. 8.8	8	
8	P00894	SCRAPER RH THROW	9	
9	P01645	BUSH SPRUNG - Ø32xØ26x32	1	
10	P02007	NUT LOCK M12	36	
11	P02011	NUT LOCK M30	3	
12	P02593	WASHER SPRING M24	8	
13	P02601	WASHER FLAT M12	36	
14	P02605	WASHER FLAT M24 Ø60	16	
15	P02608	WASHER FLAT M30	6	
16	P02793	BOLT M30x220 GR. 8.8	1	
17	P09045	GANG SLIDER BUSH	2	
18	P10184	WASHER SHIM 0.5mm	6	
19	P11888	PILLAR SCRAPER RH THROW	4	
20	P13312	GANG FRONT RH - 600	1	
21				
22				
23				
24				
25				
26				
27				
28				
29				
30				
31				
32				
33				
34				
35				
36				
37				
38				
39				
40				
41				
42				
43				
44				
45				
46				
47				
48				
49				
50				




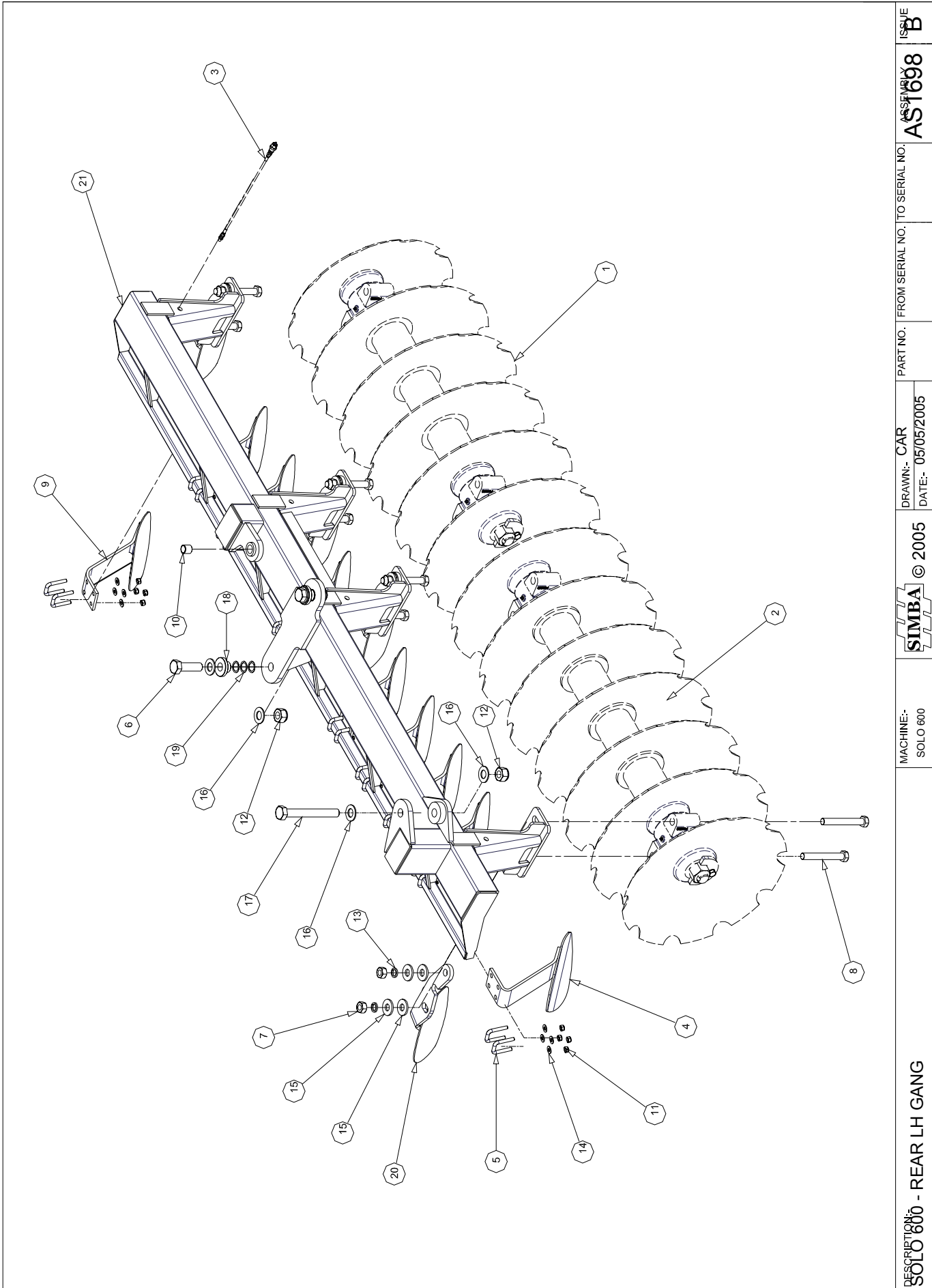
ISSUE B	ASSEMBLY AS1727	FROM SERIAL NO. TO SERIAL NO.	PART NO.	DRAWN:- CAR	DATE:- 25/04/2005	MACHINE:- SOLO 450	© 2005	DESCRIPTION:- SOLO 450 - REAR LH GANG
-------------------	---------------------------	-------------------------------	----------	-------------	-------------------	-----------------------	--------	---

AS1727		SOLO 450 - REAR LH GANG		
ITEM	PART NO	DESCRIPTION	QTY	COMMENTS
1	AS1725	SR 2/3 DISC GREASE PIPE ASSEMBLY	2	
2	AS1742	9 BLADE SR2 GANG	1	
3	P13385	SCRAPER REVERSED RH THROW	1	
4	P00002	BOLT U M12 GR8.8 70x54	14	
5	P00036	BOLT M30x180 GR. 8.8	1	
6	P00054	BOLT M30x100 GR. 8.8	2	
7	P00717	NUT PLAIN M24	4	
8	P00789	BOLT M24x180 GR. 8.8	4	
9	P00894	SCRAPER RH THROW	6	
10	P01645	BUSH SPRUNG - Ø32xØ26x32	2	
11	P02007	NUT LOCK M12	28	
12	P02011	NUT LOCK M30	3	
13	P02593	WASHER SPRING M24	4	
14	P02601	WASHER FLAT M12	28	
15	P02605	WASHER FLAT M24 Ø60	8	
16	P02608	WASHER FLAT M30	4	
17	P09045	GANG SLIDER BUSH	2	
18	P10184	WASHER SHIM 0.5mm	6	
19	P11888	PILLAR SCRAPER RH THROW	2	
20	P13223	GANG REAR LH - 450	1	
21				
22				
23				
24				
25				
26				
27				
28				
29				
30				
31				
32				
33				
34				
35				
36				
37				
38				
39				
40				
41				
42				
43				
44				
45				
46				
47				
48				
49				
50				




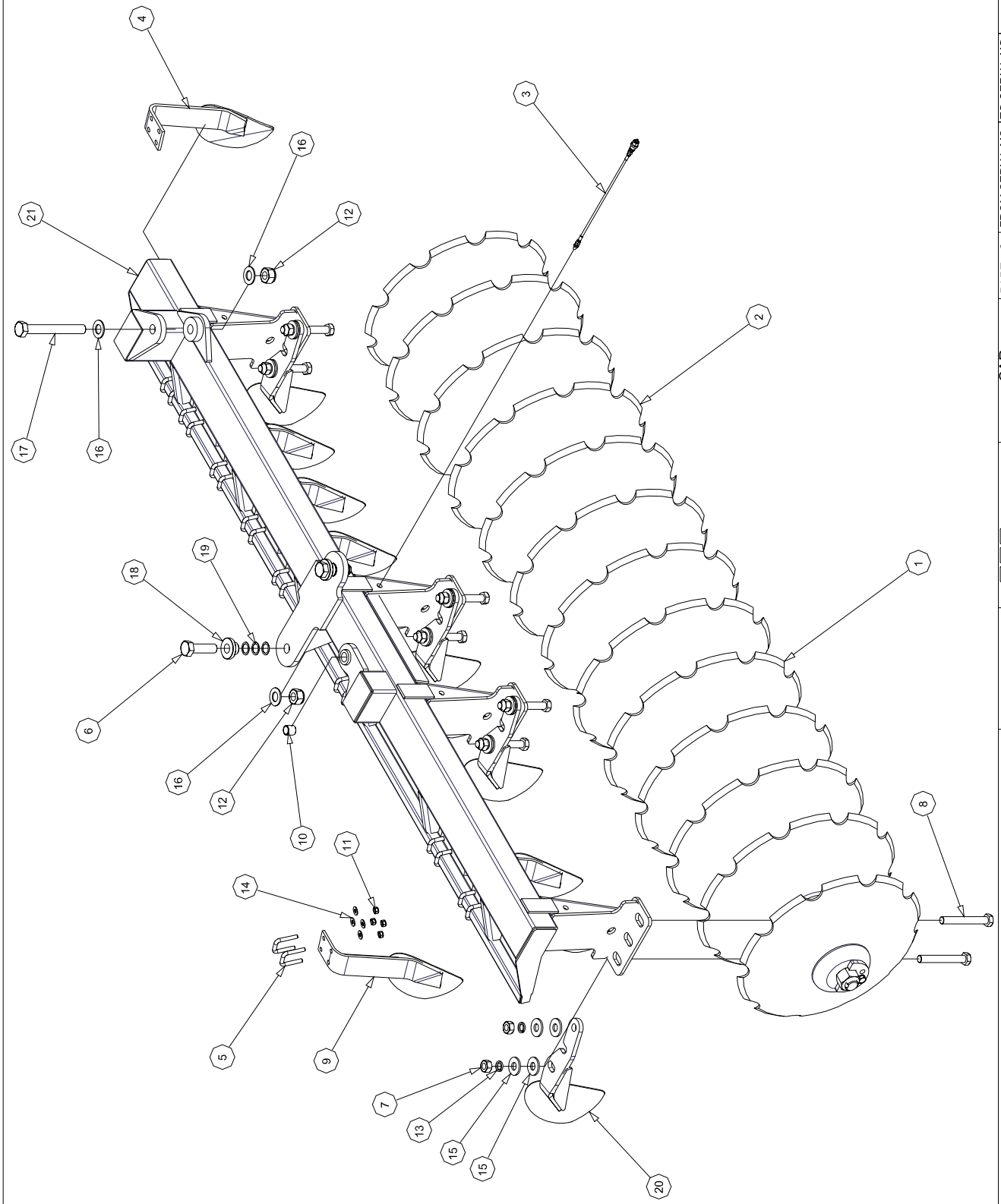
ISSUE	AS1728	PART NO.	FROM SERIAL NO. TO SERIAL NO.	DRAWN:- CAR	DATE:- 26/04/2005	MACHINE:- SOLO 450	SIMBA © 2005	DESCRIPTION:- SOLO 450 - REAR RH GANG	ISSUE B
-------	--------	----------	-------------------------------	-------------	-------------------	--------------------	--------------	---------------------------------------	---------

AS1728		SOLO 450 - REAR RH GANG		
ITEM	PART NO	DESCRIPTION	QTY	COMMENTS
1	AS1725	SR 2/3 DISC GREASE PIPE ASSEMBLY	2	
2	P10149	BULKHEAD 1/8" BSP	1	
3	P10344	NUT PLAIN 1/8" BSPP	1	
4	P10627	GREASE EXTENSION PIPE 430mm	1	
5	P13136	ADAPTOR MALE 1/8" BSP - MALE 1/8" BS	1	
6	P00071	NIPPLE - GREASE	1	
7	P10019	GREASE PIPE MOUNT	1	
8	P10578	WASHER 3/8" SHAKEPROOF	2	
9	AS1742	9 BLADE SR2 GANG	1	
10	P13384	SCRAPER REVERSED LH THROW	1	
11	P00002	BOLT U M12 GR8.8 70x54	14	
12	P00036	BOLT M30x180 GR. 8.8	1	
13	P00054	BOLT M30x100 GR. 8.8	2	
14	P00717	NUT PLAIN M24	4	
15	P00789	BOLT M24x180 GR. 8.8	4	
16	P00895	SCRAPER LH THROW	6	
17	P01645	BUSH SPRUNG - Ø32xØ26x32	2	
18	P02007	NUT LOCK M12	28	
19	P02011	NUT LOCK M30	3	
20	P02593	WASHER SPRING M24	4	
21	P02601	WASHER FLAT M12	28	
22	P02605	WASHER FLAT M24 Ø60	8	
23	P02608	WASHER FLAT M30	4	
24	P09045	GANG SLIDER BUSH	2	
25	P10184	WASHER SHIM 0.5mm	6	
26	P11887	PILLAR SCRAPER LH THROW	2	
27	P13229	GANG REAR RH - 450	1	
28				
29				
30				
31				
32				
33				
34				
35				
36				
37				
38				
39				
40				
41				
42				
43				
44				
45				
46				
47				
48				
49				
50				




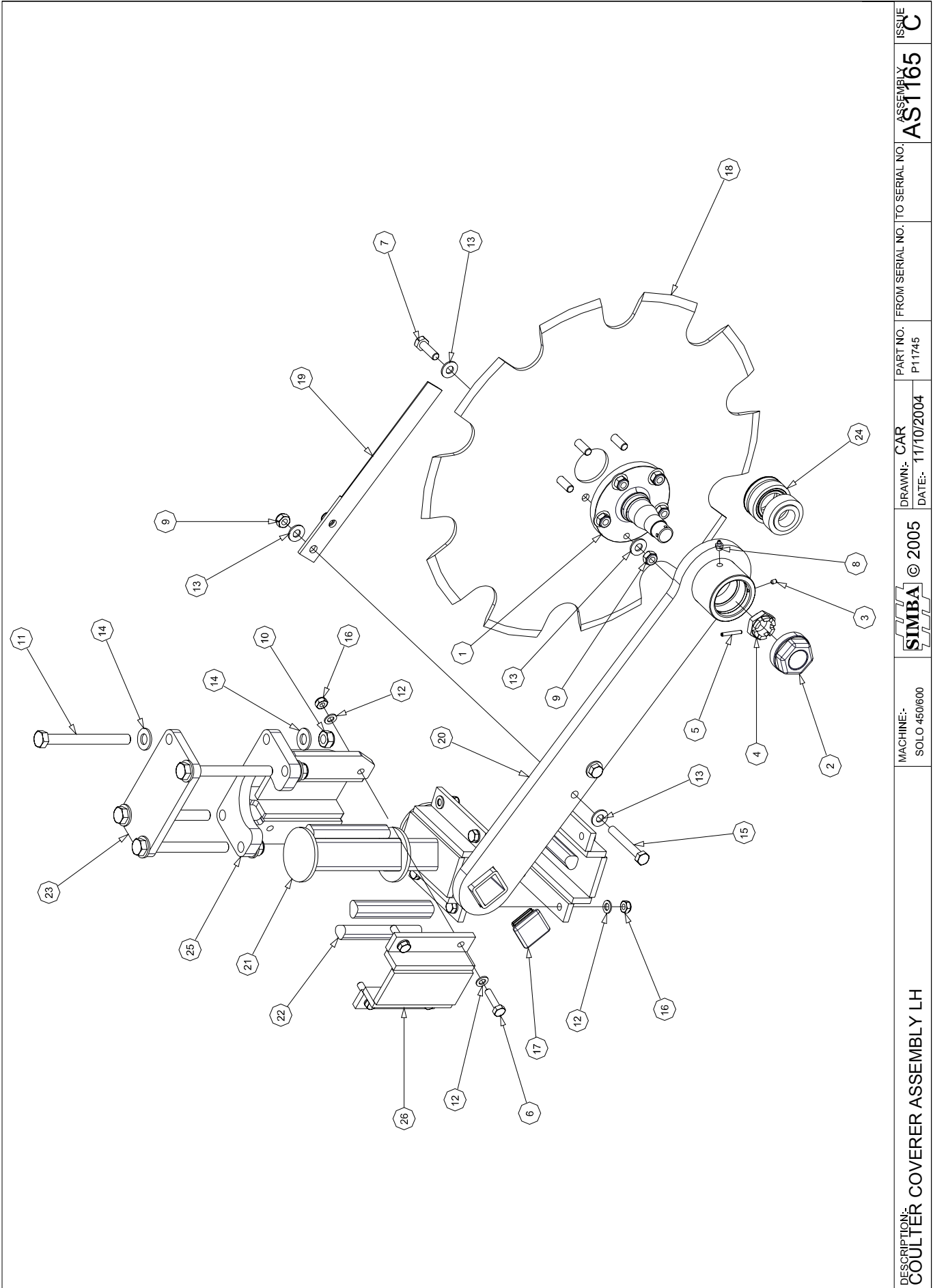
DESCRIPTION: SOLO 600 - REAR LH GANG	MACHINE:- SOLO 600	© 2005	DRAWN:- CAR DATE:- 05/05/2005	PART NO. FROM SERIAL NO. TO SERIAL NO.	ASSEMBLY AST698	ISSUE B
--	-----------------------	--------	----------------------------------	--	---------------------------	-------------------

AS1698		SOLO 600 - REAR LH GANG		
ITEM	PART NO	DESCRIPTION	QTY	COMMENTS
1	AS1114	DISC GANG 5 + 1 BLADE - 250mm	1	
2	AS1695	7 BLADE SR2 REAR INSIDE GANG	1	
3	AS1725	SR 2/3 DISC GREASE PIPE ASSEMBLY	4	
4	P13385	SCRAPER REVERSED RH THROW	1	
5	P00002	BOLT U M12 GR8.8 70x54	18	
6	P00054	BOLT M30x100 GR. 8.8	2	
7	P00717	NUT PLAIN M24	8	
8	P00789	BOLT M24x180 GR. 8.8	8	
9	P00894	SCRAPER RH THROW	8	
10	P01645	BUSH SPRUNG - Ø32xØ26x32	1	
11	P02007	NUT LOCK M12	36	
12	P02011	NUT LOCK M30	3	
13	P02593	WASHER SPRING M24	8	
14	P02601	WASHER FLAT M12	36	
15	P02605	WASHER FLAT M24 Ø60	16	
16	P02608	WASHER FLAT M30	6	
17	P04237	BOLT M30x240 GR. 8.8	1	
18	P09045	GANG SLIDER BUSH	2	
19	P10184	WASHER SHIM 0.5mm	6	
20	P11888	PILLAR SCRAPER RH THROW	4	
21	P13269	GANG REAR LH - 600	1	
22				
23				
24				
25				
26				
27				
28				
29				
30				
31				
32				
33				
34				
35				
36				
37				
38				
39				
40				
41				
42				
43				
44				
45				
46				
47				
48				
49				
50				



DESCRIPTION: SOLO 600 - REAR RH GANG	MACHINE: SOLO 600	SIMBA © 2005	DRAWN:- CAR DATE:- 06/05/2005	PART NO. 11866	FROM SERIAL NO. TO SERIAL NO. 11866	ASSEMBLY AST697	ISSUE A
---	----------------------	--------------	----------------------------------	----------------	--	--------------------	------------

AS1697		SOLO 600 - REAR RH GANG		
ITEM	PART NO	DESCRIPTION	QTY	COMMENTS
1	AS1114	DISC GANG 5 + 1 BLADE - 250mm	1	
2	AS1695	7 BLADE SR2 REAR INSIDE GANG	1	
3	AS1725	SR 2/3 DISC GREASE PIPE ASSEMBLY	4	
4	P13384	REVERSED DISC SCRAPER RH	1	
5	P00002	BOLT U M12 GR8.8 70x54	18	
6	P00054	BOLT M30x100 GR. 8.8	2	
7	P00717	NUT PLAIN M24	8	
8	P00789	BOLT M24x180 GR. 8.8	8	
9	P00895	MOULDBOARD SCRAPER LH	8	
10	P01645	BUSH SPRUNG - Ø32xØ26x32	1	
11	P02007	NUT LOCK M12	36	
12	P02011	NUT LOCK M30	3	
13	P02593	WASHER SPRING M24	8	
14	P02601	WASHER FLAT M12	36	
15	P02605	WASHER FLAT M24 Ø60	16	
16	P02608	WASHER FLAT M30	6	
17	P04237	BOLT M30x240 GR. 8.8	1	
18	P09045	GANG SLIDER BUSH	2	
19	P10184	WASHER SHIM 0.5mm	6	
20	P11887	PILLAR SCRAPER FRONT LH	4	
21	P13270	SR2 REAR DISC GANG RH	1	
22				
23				
24				
25				
26				
27				
28				
29				
30				
31				
32				
33				
34				
35				
36				
37				
38				
39				
40				
41				
42				
43				
44				
45				
46				
47				
48				
49				
50				



DESCRIPTION:
COULTER COVER ASSEMBLY LH

MACHINE:-
SOLO 450/600

SIMBA © 2005


DRAWN:- CAR
DATE:- 11/10/2004

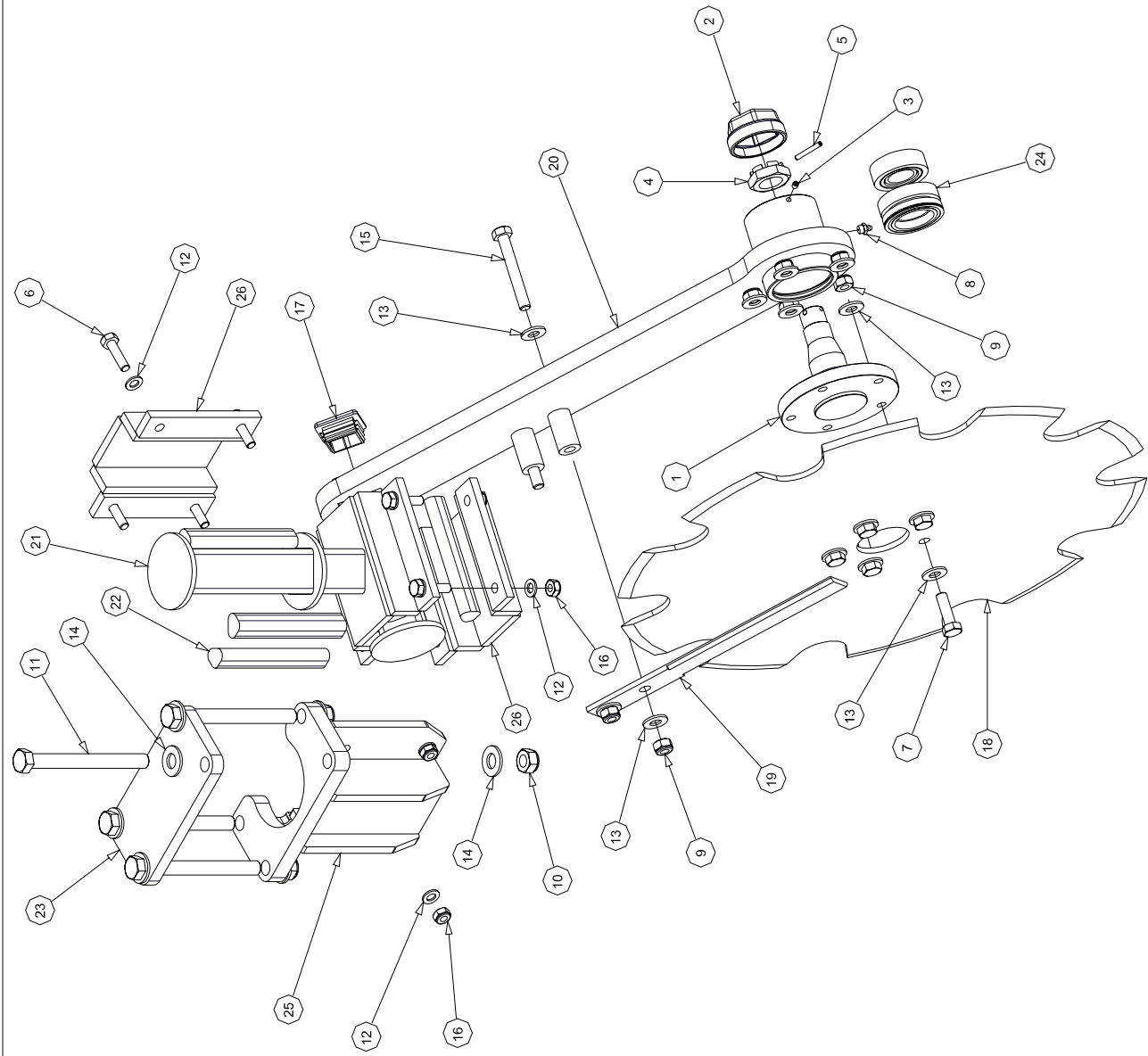
PART NO.
P11745

FROM SERIAL NO. | TO SERIAL NO.

ASSEMBLY
AS1165

ISSUE
C

AS1165C		SOLO 450/600 - LH COVERER		
ITEM	PART NO	DESCRIPTION	QTY	COMMENTS
1	J220211381	SPINDLE	1	
2	J232140171	HUB CAP	1	
3	J910900608	GRUB SCREW M6x8	1	
4	J911131272	NUT CASTLE M27x2	1	
5	J913010636	ROLL PIN Ø5x36	1	
6	P00001	BOLT M10x40 GR.8.8	8	
7	P00003	BOLT M12x40 GR. 8.8	5	
8	P00071	NIPPLE - GREASE	1	
9	P02007	NUT LOCK M12	7	
10	P02008	NUT LOCK M16	4	
11	P02510	BOLT M16x160 GR. 8.8	4	
12	P02600	WASHER FLAT M10	16	
13	P02601	WASHER FLAT M12	14	
14	P02602	WASHER FLAT M16	8	
15	P02652	BOLT M12x90 GR. 8.8	2	
16	P05534	NUT LOCK M10	8	
17	P07544	PLASTIC END CAP 50x50	1	
18	P10524	DISC COULTER Ø610 5 HOLE NOTCHED	1	
19	P10543	COULTER KNIFE	1	
20	P11396	COVERER ARM LH	1	
21	P11397	VERTICAL AXLE LH	1	
22	P11590	RUBBER ROD - Ø28x145	8	
23	P11701	COVERER MOUNT PLATE	1	
24	P12415	BEARING + SEAL KIT COMPLETE	1	
25	P12466	COVERER BASE UNIT	1	
26	P12469	CLAMP "U" - FABRICATED	2	
27				
28				
29				
30				
31				
32				
33				
34				
35				
36				
37				
38				
39				
40				
41				
42				
43				
44				
45				
46				
47				
48				
49				
50				



DESCRIPTION:
COULTER COVER ASSEMBLY RH

MACHINE:-
SOLO 450/600

SIMBA © 2005


DRAWN:- CAR
DATE:- 08/10/2004

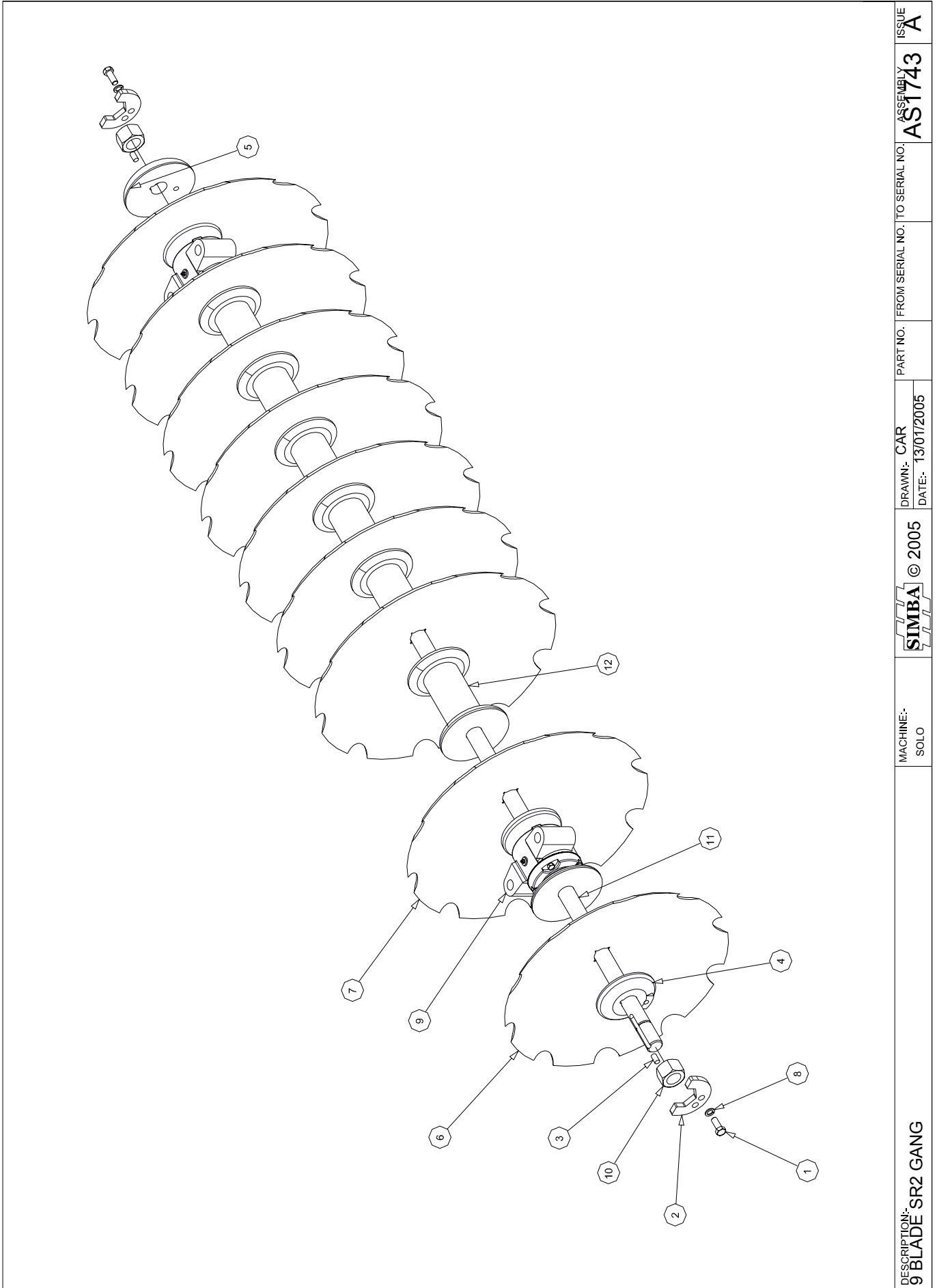
PART NO.
P11746

FROM SERIAL NO. | TO SERIAL NO.


ASSEMBLY
AS1170

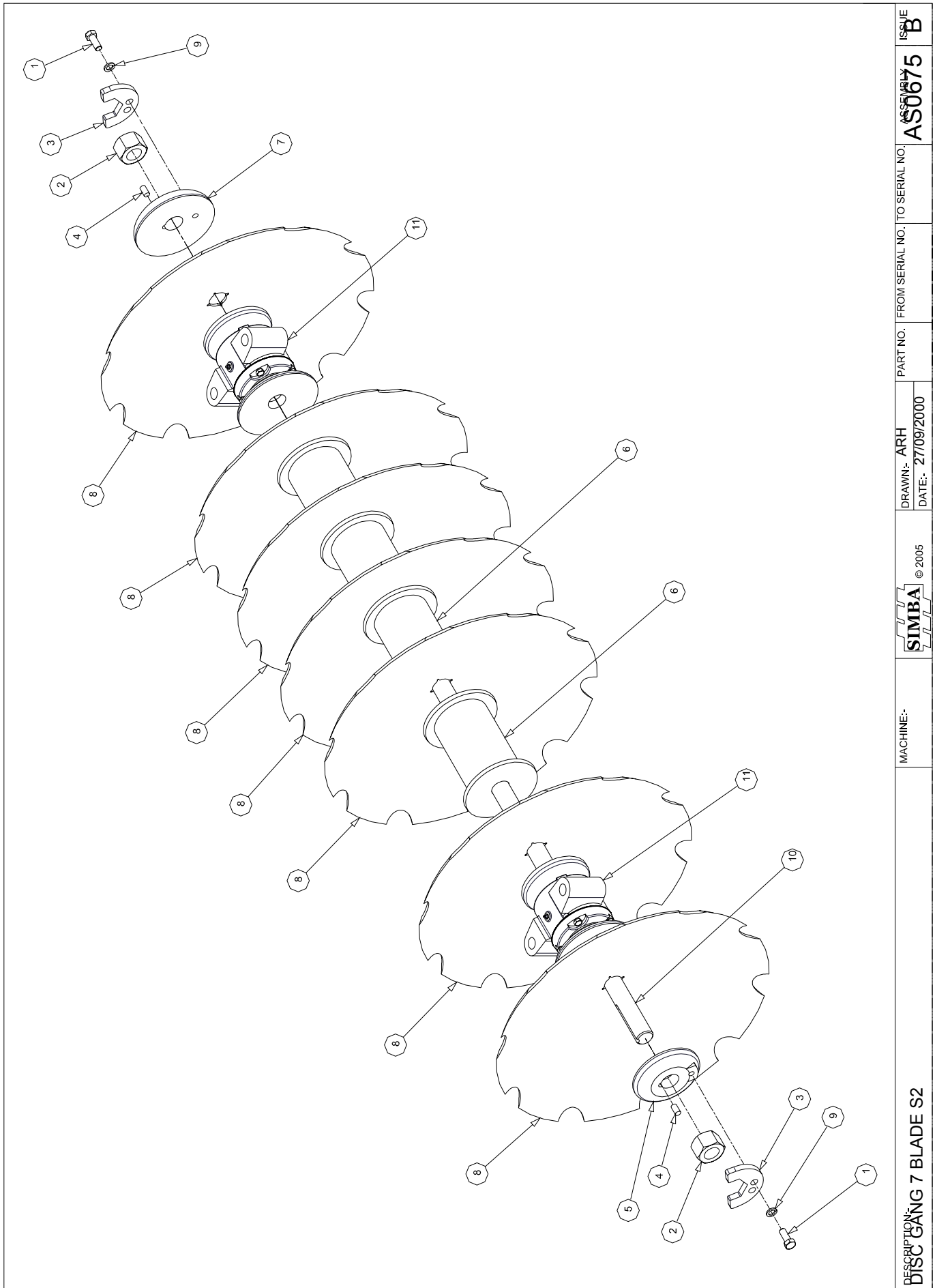
ISSUE
A

AS1170A		SOLO 450/600 - RH COVERER		
ITEM	PART NO	DESCRIPTION	QTY	COMMENTS
1	J220211381	SPINDLE	1	
2	J232140171	HUB CAP	1	
3	J910900608	GRUB SCREW M6x8	1	
4	J911131272	NUT CASTLE M27x2	1	
5	J913010636	ROLL PIN Ø5x36	1	
6	P00001	BOLT M10x40 GR.8.8	8	
7	P00003	BOLT M12x40 GR. 8.8	5	
8	P00071	NIPPLE - GREASE	1	
9	P02007	NUT LOCK M12	7	
10	P02008	NUT LOCK M16	4	
11	P02510	BOLT M16x160 GR. 8.8	4	
12	P02600	WASHER FLAT M10	16	
13	P02601	WASHER FLAT M12	14	
14	P02602	WASHER FLAT M16	8	
15	P02652	BOLT M12x90 GR. 8.8	2	
16	P05534	NUT LOCK M10	8	
17	P07544	PLASTIC END CAP 50x50	1	
18	P10524	DISC COULTER Ø610 5 HOLE NOTCHED	1	
19	P10543	COULTER KNIFE	1	
20	P11291	COVERER ARM - RH	1	
21	P11405	COULTER ARM AXLE RH	1	
22	P11590	RUBBER ROD - Ø28x145	8	
23	P11701	COVERER MOUNT PLATE	1	
24	P12415	BEARING + SEAL KIT COMPLETE	1	
25	P12466	COVERER BASE UNIT	1	
26	P12469	CLAMP "U" - FABRICATED	2	
27				
28				
29				
30				
31				
32				
33				
34				
35				
36				
37				
38				
39				
40				
41				
42				
43				
44				
45				
46				
47				
48				
49				
50				



DESCRIPTION: 9 BLADE SR2 GANG	MACHINE: SOLO	© 2005	DRAWN:- CAR DATE:- 13/01/2005	PART NO.	FROM SERIAL NO.	TO SERIAL NO.	ASSEMBLY AS1743	ISSUE A
---	------------------	--------	----------------------------------	----------	-----------------	---------------	---------------------------	-------------------

AS1743		FRONT GANG ASSEMBLY SOLO 450		
ITEM	PART NO	DESCRIPTION	QTY	COMMENTS
1	P00007	BOLT M16x40 GR. 8.8	2	
2	P00249	LOCKING PLATE	2	
3	P00250	LOCKING KEY	2	
4	P00251	CONVEX SPACER SERIES 2	1	
5	P00254	CONCAVE SPACER SERIES 2	1	
6	P00280	DISC BLADE CUTAWAY Ø650 COMB.	1	
7	P00282	DISC BLADE CUTAWAY Ø700 COMB.	8	
8	P02038	WASHER SPRING M16	2	
9	P03133	BEARING UNIT S2 COMPLETE	2	
10	P12174	NUT PLAIN M45x3	2	J911119456
11	P12585	AXLE DISC M45x2180 EN 16 T	1	
12	P13555	SPOOL - 250mm	6	NOT EQUIV. P00253
13				
14				
15				
16				
17				
18				
19				
20				
21				
22				
23				
24				
25				
26				
27				
28				
29				
30				
31				
32				
33				
34				
35				
36				
37				
38				
39				
40				
41				
42				
43				
44				
45				
46				
47				
48				
49				
50				



DESCRIPTION: DISC GANG 7 BLADE S2

MACHINE:-




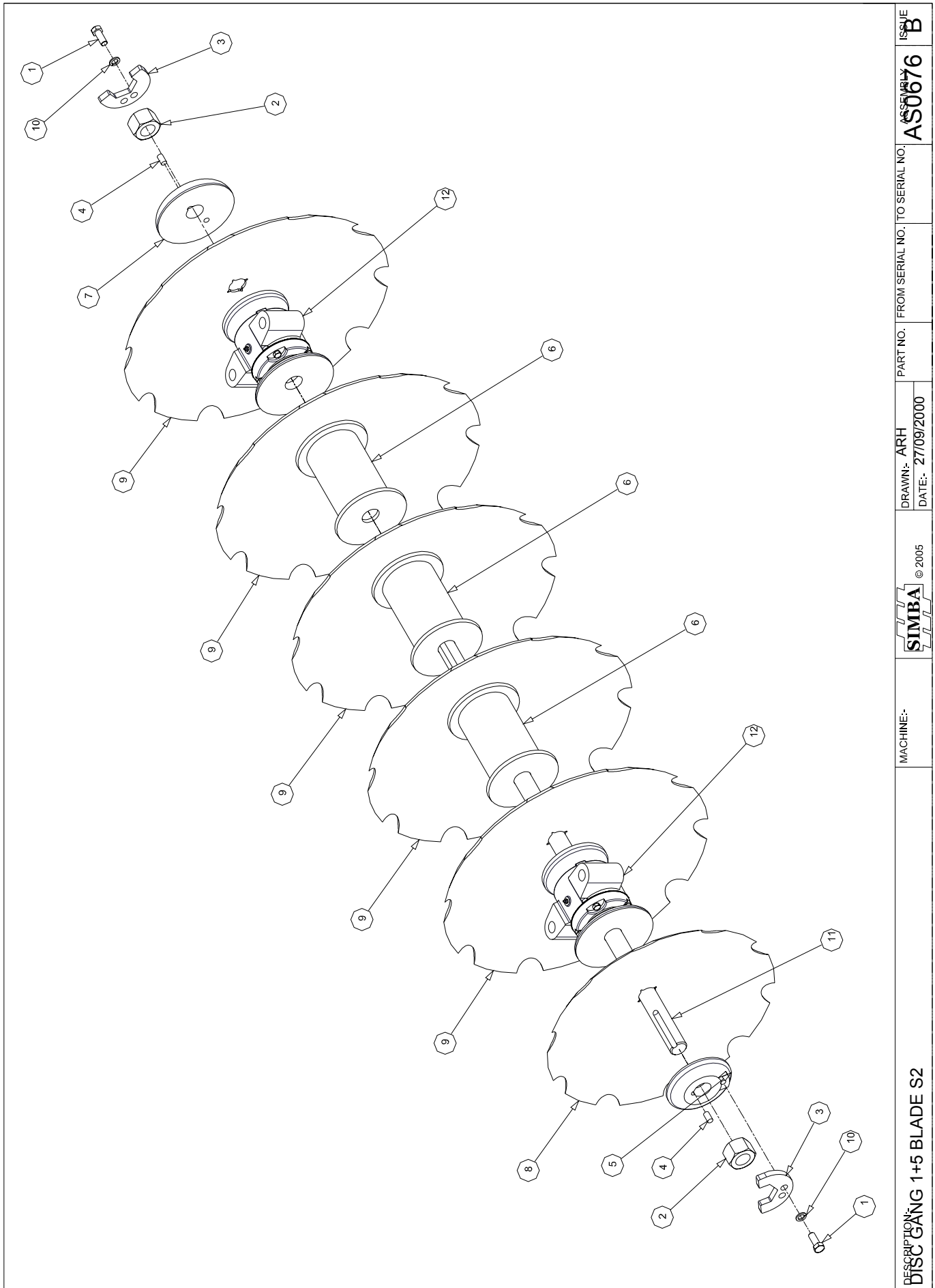
DRAWN:- ARH
DATE:- 27/09/2000

PART NO. FROM SERIAL NO. TO SERIAL NO.


ASSEMBLY NO. AS0675

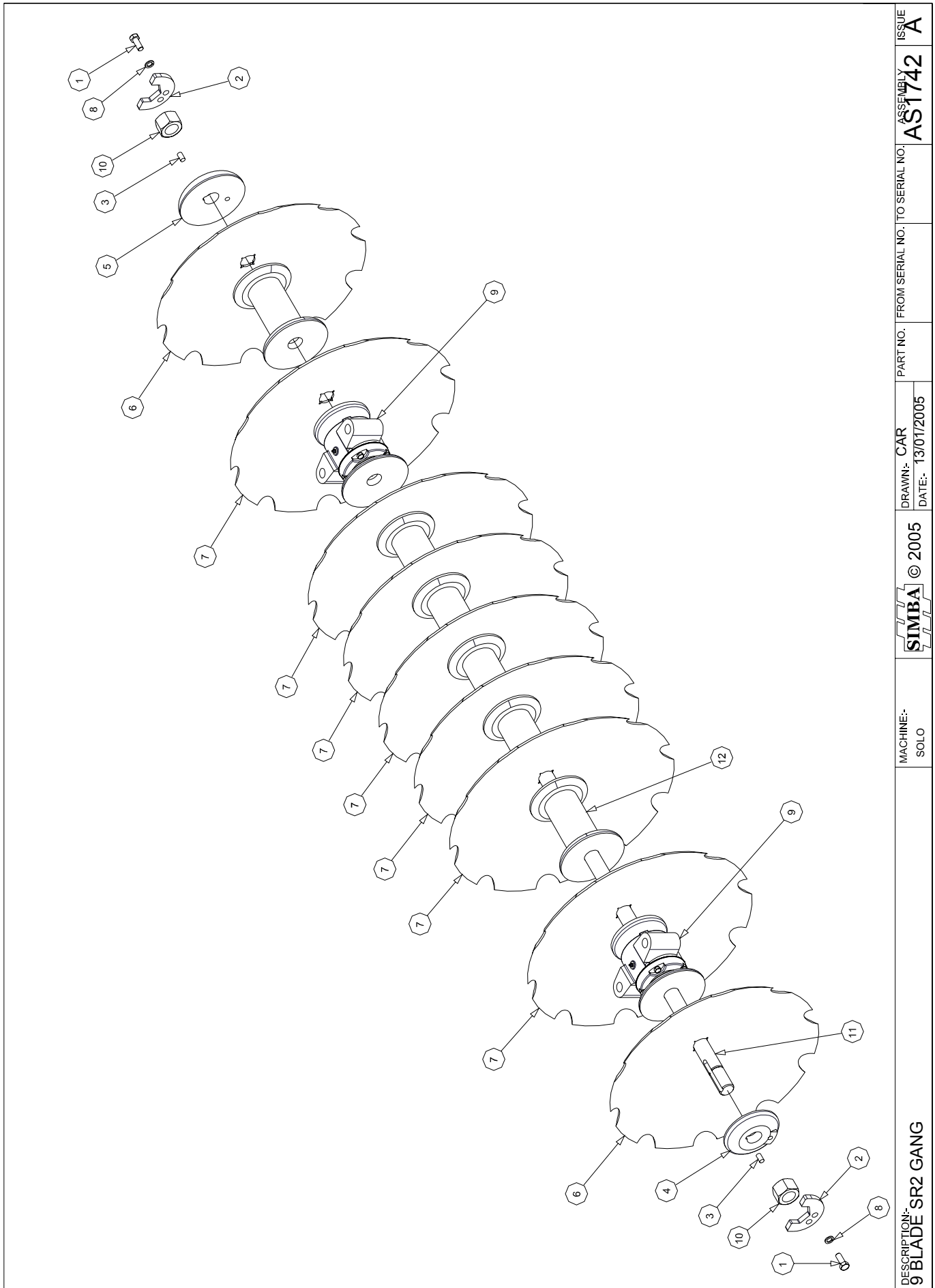
ISSUE B

AS0675		28" 7 BLADE AXLE		
ITEM	PART NO	DESCRIPTION	QTY	COMMENTS
1	P00007	BOLT M16x40 GR. 8.8	2	
2	P00248	NUT PLAIN 1 3/4" BSW	2	
3	P00249	LOCKING PLATE	2	
4	P00250	LOCKING KEY	2	
5	P00251	CONVEX SPACER SERIES 2	1	
6	P00253	SPOOL S2 - 250mm	4	
7	P00254	CONCAVE SPACER SERIES 2	1	
8	P00282	DISC BLADE CUTAWAY Ø700 COMB.	7	
9	P02038	WASHER SPRING M16	2	
10	P02243	AXLE DISC Ø45x1680 EN 16 T	1	
11	P03133	BEARING UNIT S2 COMPLETE	2	
12				
13				
14				
15				
16				
17				
18				
19				
20				
21				
22				
23				
24				
25				
26				
27				
28				
29				
30				
31				
32				
33				
34				
35				
36				
37				
38				
39				
40				
41				
42				
43				
44				
45				
46				
47				
48				
49				
50				




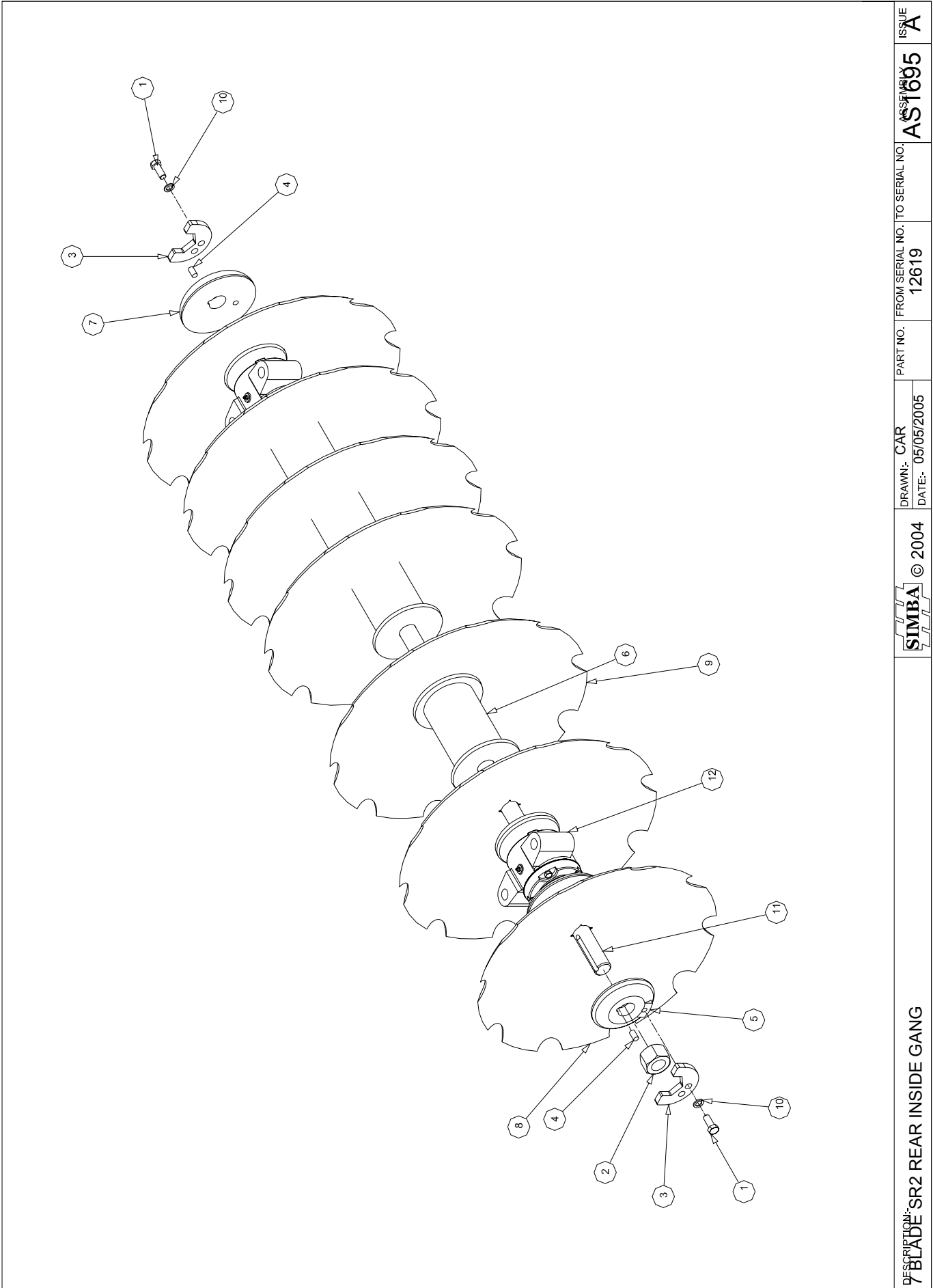
DESCRIPTION: DISC GANG 1+5 BLADE S2		MACHINE:		© 2005		DRAWN:- ARH	DATE:- 27/09/2000	PART NO.	FROM SERIAL NO. TO SERIAL NO.	ASSEMBLY NO. AS0676	ISSUE B
-------------------------------------	--	----------	--	--------	--	-------------	-------------------	----------	-------------------------------	---------------------	---------

AS0676		28" + 26" LEADING DISC AXLE		
ITEM	PART NO	DESCRIPTION	QTY	COMMENTS
1	P00007	BOLT M16x40 GR. 8.8	2	
2	P00248	NUT PLAIN 1 3/4" BSW	2	
3	P00249	LOCKING PLATE	2	
4	P00250	LOCKING KEY	2	
5	P00251	CONVEX SPACER SERIES 2	1	
6	P00253	SPOOL S2 - 250mm	3	
7	P00254	CONCAVE SPACER SERIES 2	1	
8	P00276	DISC BLADE CUTAWAY Ø600 COMB.	1	
9	P00282	DISC BLADE CUTAWAY Ø700 COMB.	5	
10	P02038	WASHER SPRING M16	2	
11	P02242	AXLE - Ø45x1430	1	
12	P03133	BEARING UNIT S2 COMPLETE	2	
13				
14				
15				
16				
17				
18				
19				
20				
21				
22				
23				
24				
25				
26				
27				
28				
29				
30				
31				
32				
33				
34				
35				
36				
37				
38				
39				
40				
41				
42				
43				
44				
45				
46				
47				
48				
49				
50				




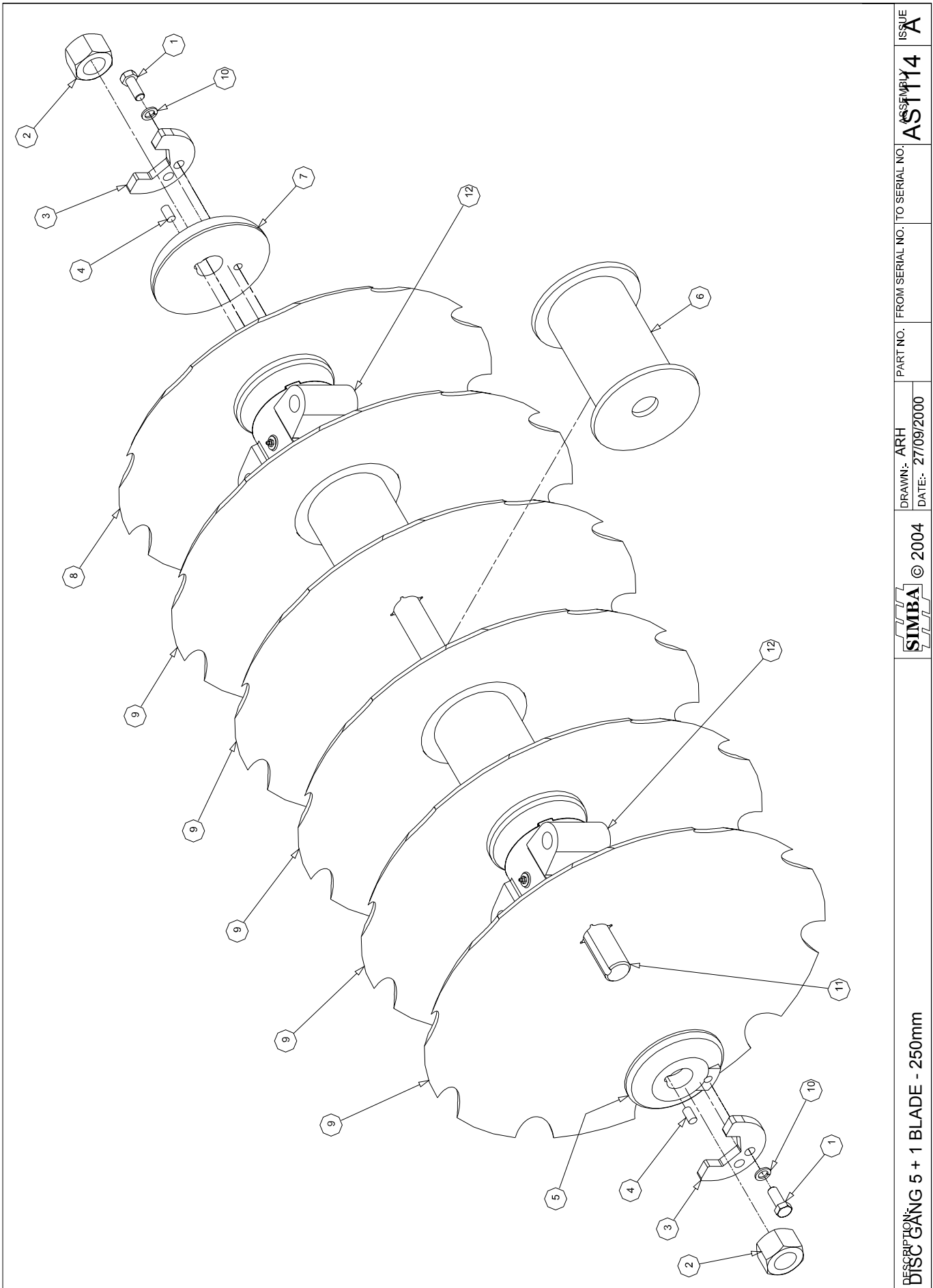
DESCRIPTION:- 9 BLADE SR2 GANG	MACHINE:- SOLO	© 2005	DRAWN:- CAR DATE:- 13/01/2005	PART NO. FROM SERIAL NO. TO SERIAL NO.	ASSEMBLY AS1742	ISSUE A
--	-------------------	--------	----------------------------------	--	---------------------------	-------------------

AS1742		9 BLADE SR2 GANG		
ITEM	PART NO	DESCRIPTION	QTY	COMMENTS
1	P00007	BOLT M16x40 GR. 8.8	2	
2	P00249	LOCKING PLATE	2	
3	P00250	LOCKING KEY	2	
4	P00251	CONVEX SPACER SERIES 2	1	
5	P00254	CONCAVE SPACER SERIES 2	1	
6	P00280	DISC BLADE CUTAWAY Ø650 COMB.	2	
7	P00282	DISC BLADE CUTAWAY Ø700 COMB.	7	
8	P02038	WASHER SPRING M16	2	
9	P03133	BEARING UNIT S2 COMPLETE	2	
10	P12174	NUT PLAIN M45x3	2	J911119456
11	P12585	AXLE DISC M45x2180 EN 16 T	1	
12	P13555	SPOOL - 250mm	6	NOT EQUIV. P00253
13				
14				
15				
16				
17				
18				
19				
20				
21				
22				
23				
24				
25				
26				
27				
28				
29				
30				
31				
32				
33				
34				
35				
36				
37				
38				
39				
40				
41				
42				
43				
44				
45				
46				
47				
48				
49				
50				




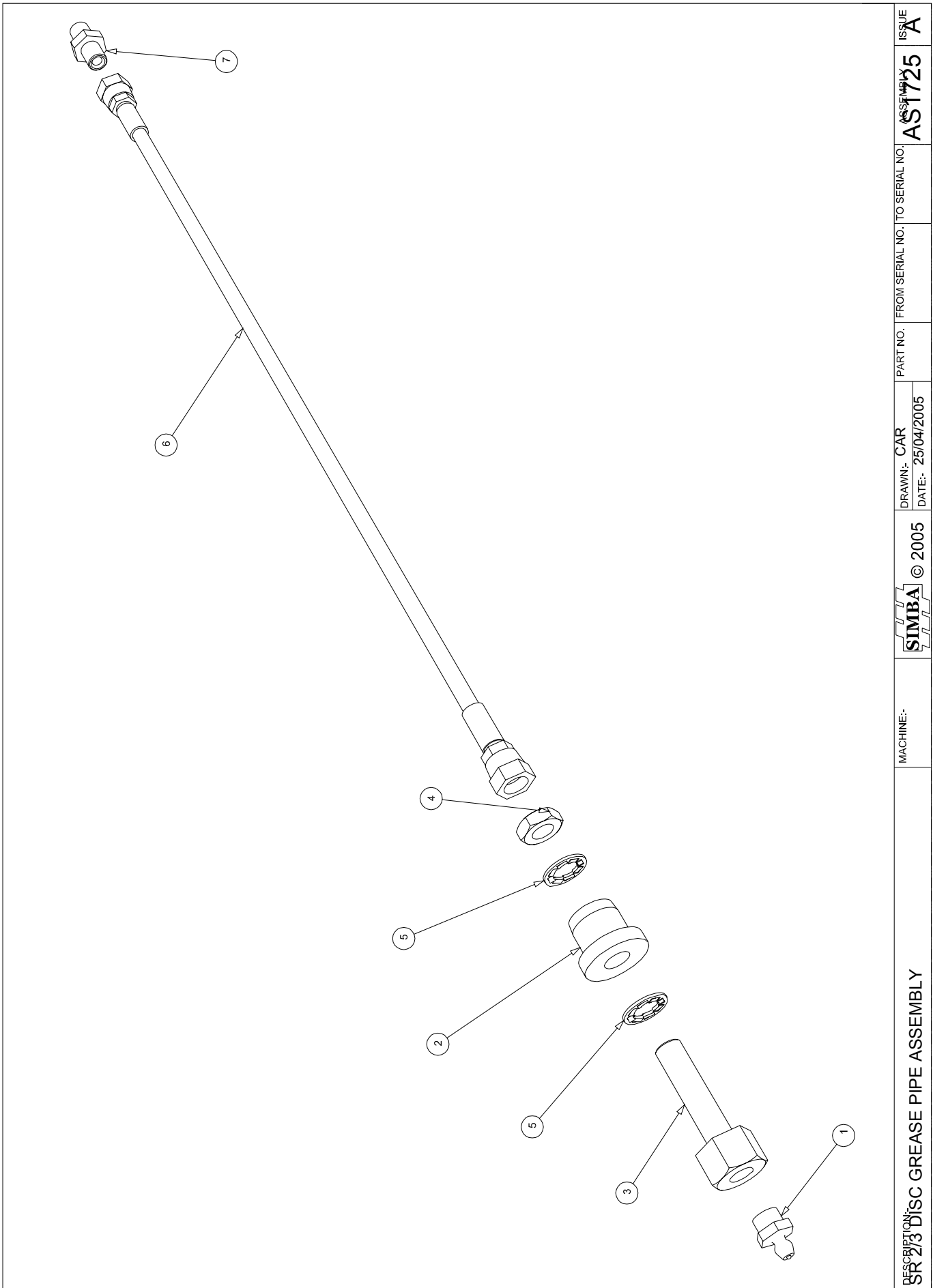
DESCRIPTION: SR2 REAR INSIDE GANG	DRAWN: CAR		PART NO.		FROM SERIAL NO. TO SERIAL NO.		ASSEMBLY		ISSUE
	DATE: 05/05/2005		12619		12619		AST695		A
	SIMBA © 2004								

AS1695A		7 BLADE SR2 REAR INSIDE GANG		
ITEM	PART NO	DESCRIPTION	QTY	COMMENTS
1	P00007	BOLT M16x40 GR. 8.8	2	
2	P00248	NUT PLAIN 1 3/4" BSW	2	
3	P00249	LOCKING PLATE	2	
4	P00250	LOCKING KEY	2	
5	P00251	CONVEX SPACER SERIES 2	1	
6	P00253	SPOOL S2 - 250mm	4	
7	P00254	CONCAVE SPACER SERIES 2	1	
8	P00280	DISC BLADE CUTAWAY Ø650 COMB.	1	
9	P00282	DISC BLADE CUTAWAY Ø700 COMB.	6	
10	P02038	WASHER SPRING M16	2	
11	P02243	AXLE DISC Ø45x1680 EN 16 T	1	
12	P03133	BEARING UNIT S2 COMPLETE	2	
13				
14				
15				
16				
17				
18				
19				
20				
21				
22				
23				
24				
25				
26				
27				
28				
29				
30				
31				
32				
33				
34				
35				
36				
37				
38				
39				
40				
41				
42				
43				
44				
45				
46				
47				
48				
49				
50				



DESCRIPTION: DISC GANG 5 + 1 BLADE - 250mm	SIMBA © 2004	DRAWN: ARH DATE: 27/09/2000	PART NO. FROM SERIAL NO. TO SERIAL NO.	ASSEMBLY AS1114	ISSUE A
--	--------------	--------------------------------	--	-----------------	---------

AS1114		28" + 26" COVERER 6 BLADE AXLE		
ITEM	PART NO	DESCRIPTION	QTY	COMMENTS
1	P00007	BOLT M16x40 GR. 8.8	2	
2	P00248	NUT PLAIN 1 3/4" BSW	2	
3	P00249	LOCKING PLATE	2	
4	P00250	LOCKING KEY	2	
5	P00251	CONVEX SPACER SERIES 2	1	
6	P00253	SPOOL S2 - 250mm	3	
7	P00254	CONCAVE SPACER SERIES 2	1	
8	P00280	DISC BLADE CUTAWAY Ø650 COMB.	1	
9	P00282	DISC BLADE CUTAWAY Ø700 COMB.	5	
10	P02038	WASHER SPRING M16	2	
11	P02242	AXLE - Ø45x1430	1	
12	P03133	BEARING UNIT S2 COMPLETE	2	
13				
14				
15				
16				
17				
18				
19				
20				
21				
22				
23				
24				
25				
26				
27				
28				
29				
30				
31				
32				
33				
34				
35				
36				
37				
38				
39				
40				
41				
42				
43				
44				
45				
46				
47				
48				
49				
50				



DESCRIPTION: SR 2/3 DISC GREASE PIPE ASSEMBLY

MACHINE:-




DRAWN: CAR
DATE: 25/04/2005

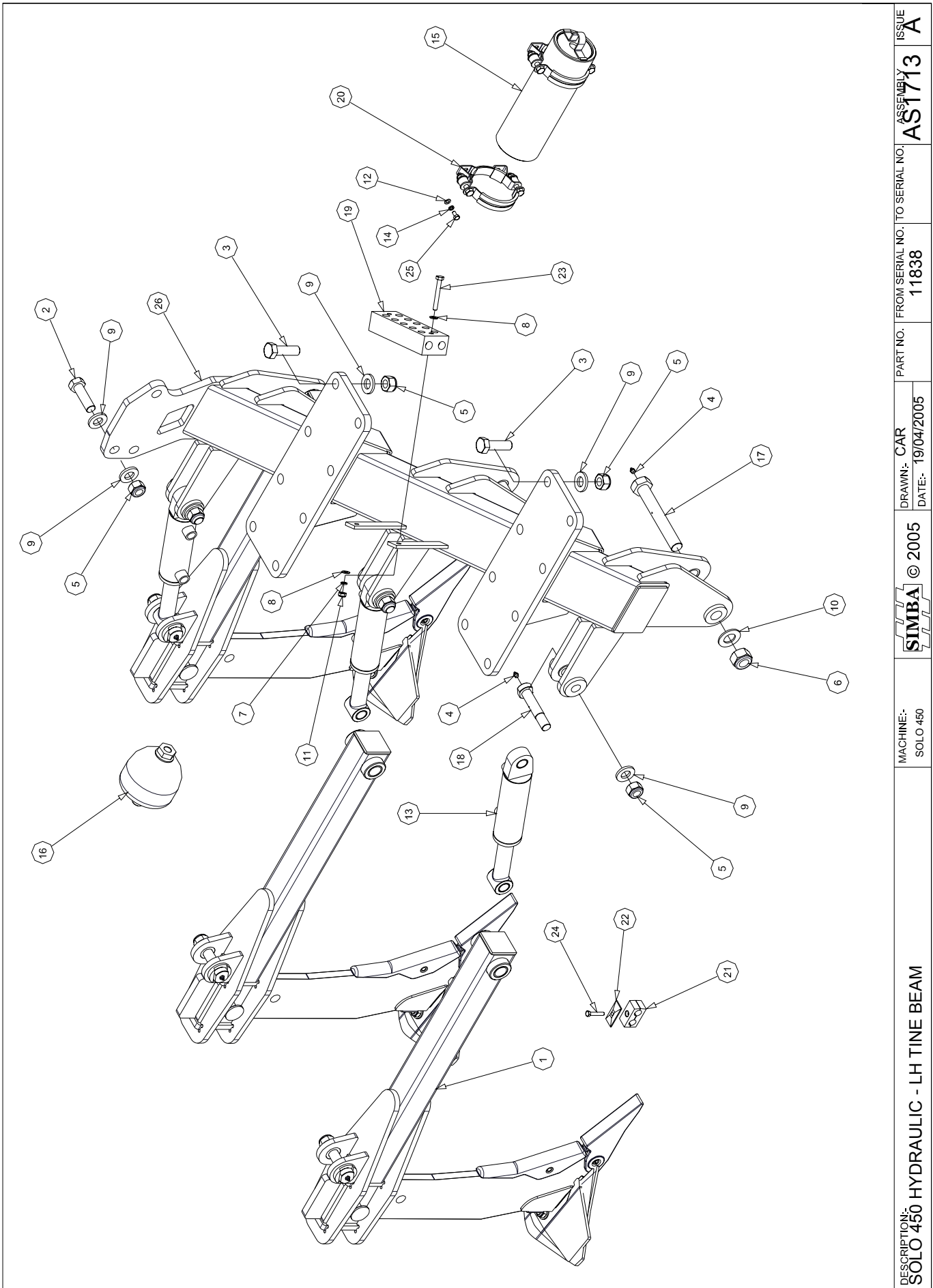
PART NO. FROM SERIAL NO. TO SERIAL NO.

ASSEMBLY
AST725


ISSUE
A

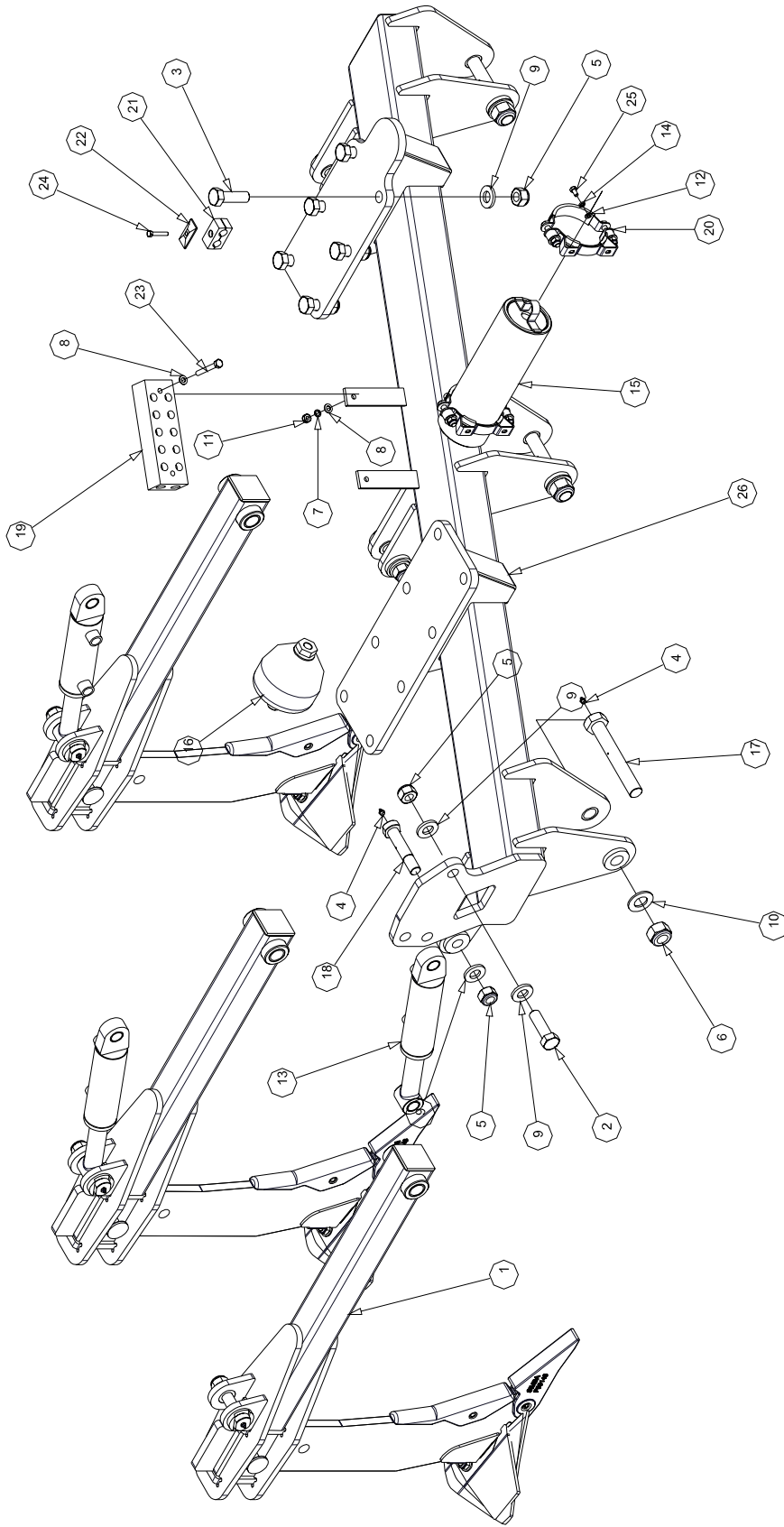


AS1725A		SR 2/3 DISC GREASE PIPE ASSEMBLY		
ITEM	PART NO	DESCRIPTION	QTY	COMMENTS
1	P00071	NIPPLE - GREASE	1	
2	P10019	GREASE PIPE MOUNT	1	
3	P10149	BULKHEAD 1/8" BSP	1	
4	P10344	NUT PLAIN 1/8" BSPP	1	
5	P10578	WASHER 3/8" SHAKEPROOF	2	
6	P10627	GREASE EXTENSION PIPE 430mm	1	
7	P13136	ADAPTOR MALE 1/8" BSP - MALE 1/8" BS	1	
8				
9				
10				
11				
12				
13				
14				
15				
16				
17				
18				
19				
20				
21				
22				
23				
24				
25				
26				
27				
28				
29				
30				
31				
32				
33				
34				
35				
36				
37				
38				
39				
40				
41				
42				
43				
44				
45				
46				
47				
48				
49				
50				



ISSUE A	ASSEMBLY AS1713	FROM SERIAL NO. TO SERIAL NO. 11838	PART NO. DRAWN: CAR DATE: 19/04/2005	© 2005 MACHINE: SOLO 450	DESCRIPTION: SOLO 450 HYDRAULIC - LH TINE BEAM
-------------------	---------------------------	--	--	-----------------------------	---

AS1713A		SOLO 450 HYDRAULIC - LH TINE BEAM		
ITEM	PART NO	DESCRIPTION	QTY	COMMENTS
1	AS0946	SUBSURFACE TINE ARM ASSEMBLY	3	
2	P00014	BOLT M24x80 GR. 8.8	3	
3	P00015	BOLT M24x75 GR. 8.8	16	
4	P00071	NIPPLE - GREASE	6	
5	P02010	NUT LOCK M24	22	
6	P02011	NUT LOCK M30	3	
7	P02035	WASHER SPRING M10	2	
8	P02600	WASHER FLAT M10	4	
9	P02604	WASHER FLAT M24 Ø50	25	
10	P02608	WASHER FLAT M30	3	
11	P05534	NUT LOCK M10	2	
12	P05535	WASHER FLAT M8	4	
13	P08606	CYLINDER - Ø63x100 - 40	3	
14	P08817	WASHER SPRING M8	4	
15	P08837	ACCUMULATOR 2L PISTON 80b	1	
16	P08838	ACCUMULATOR 1.4L DIAPHRAGM 10b	1	
17	P09074	BOLT M30x210 GRS GR. 8.8	3	
18	P09075	BOLT M24x125 GRS	3	
19	P09079	MANIFOLD DISTRIBUTION	1	
20	P09108	ACCUMULATOR CLAMP	2	
21	P09112	CLAMP ½" BSP PAIR	1	
22	P09113	CLAMP - TOP PLATE	1	
23	P09226	BOLT M10x80 GR. 8.8	2	
24	P10278	BOLT M8x45 GR. 8.8	1	
25	P10342	BOLT M8x16 GR. 8.8	4	
26	P13234	HYD TINE BEAM LH - 450	1	
27				
28				
29				
30				
31				
32				
33				
34				
35				
36				
37				
38				
39				
40				
41				
42				
43				
44				
45				
46				
47				
48				
49				
50				



DESCRIPTION:
SOLO 450 HYDRAULIC - RH TINE BEAM

MACHINE:-
SOLO 450



© 2005


DRAWN:- CAR
DATE:- 20/04/2005

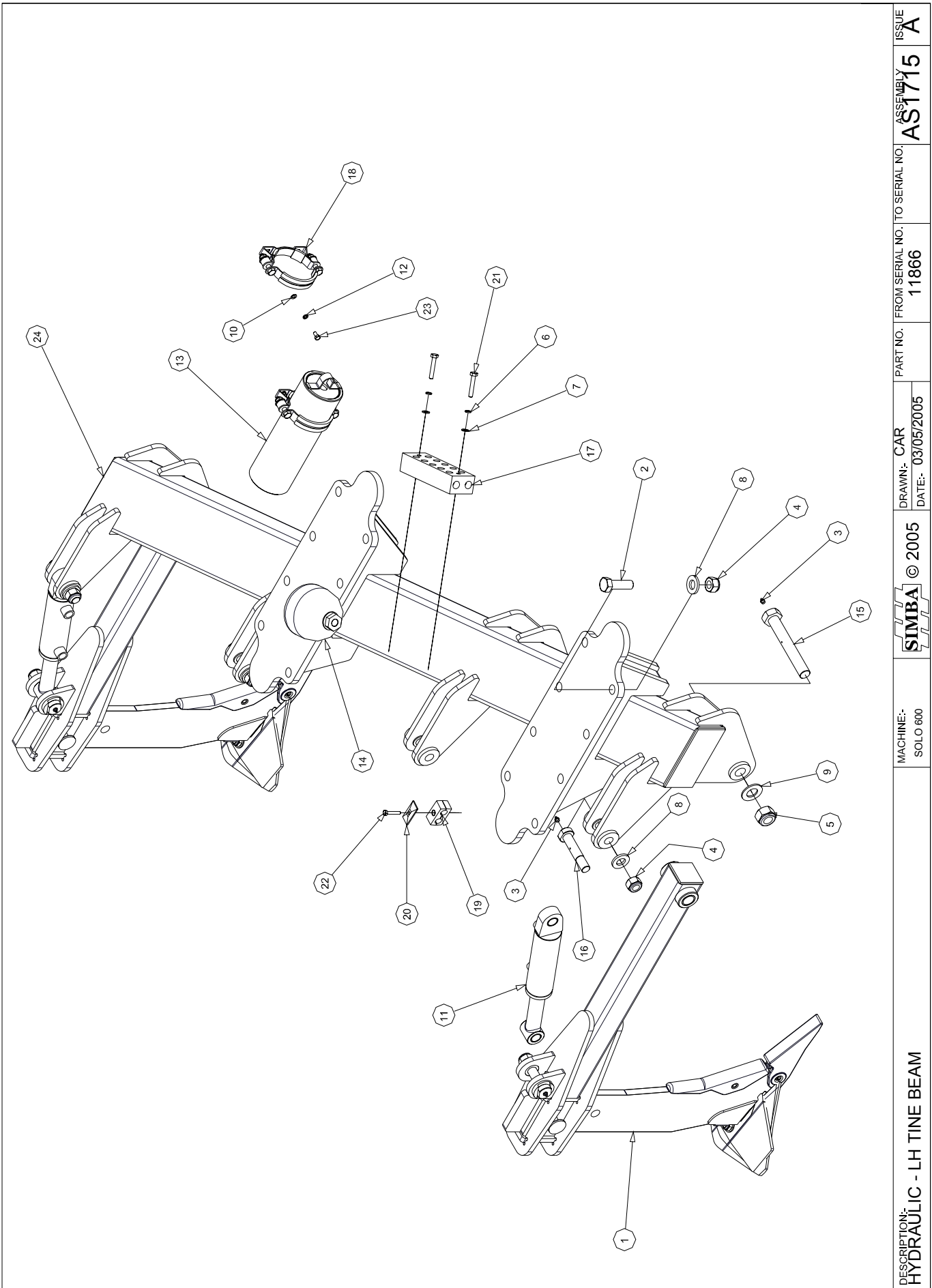
PART NO. 11838

FROM SERIAL NO. TO SERIAL NO.
11838

ASSEMBLY
AS1714

ISSUE
A

AS1714A		SOLO 450 HYDRAULIC - RH TINE BEAM		
ITEM	PART NO	DESCRIPTION	QTY	COMMENTS
1	AS0946	SUBSURFACE TINE ARM ASSEMBLY	3	
2	P00014	BOLT M24x80 GR. 8.8	3	
3	P00015	BOLT M24x75 GR. 8.8	14	
4	P00071	NIPPLE - GREASE	6	
5	P02010	NUT LOCK M24	20	
6	P02011	NUT LOCK M30	3	
7	P02035	WASHER SPRING M10	2	
8	P02600	WASHER FLAT M10	4	
9	P02604	WASHER FLAT M24 Ø50	23	
10	P02608	WASHER FLAT M30	3	
11	P05534	NUT LOCK M10	2	
12	P05535	WASHER FLAT M8	4	
13	P08606	CYLINDER - Ø63x100 - 40	3	360-460 J931030300
14	P08817	WASHER SPRING M8	4	
15	P08837	ACCUMULATOR 2L PISTON 80b	1	
16	P08838	ACCUMULATOR 1.4L DIAPHRAGM 10b	1	
17	P09074	BOLT M30x210 GRS GR. 8.8	3	
18	P09075	BOLT M24x125 GRS	3	
19	P09079	MANIFOLD DISTRIBUTION	1	
20	P09108	ACCUMULATOR CLAMP	2	
21	P09112	CLAMP ½" BSP PAIR	1	
22	P09113	CLAMP - TOP PLATE	1	
23	P09226	BOLT M10x80 GR. 8.8	2	
24	P10278	BOLT M8x45 GR. 8.8	1	
25	P10342	BOLT M8x16 GR. 8.8	4	
26	P13237	HYD TINE BEAM RH 450	1	
27				
28				
29				
30				
31				
32				
33				
34				
35				
36				
37				
38				
39				
40				
41				
42				
43				
44				
45				
46				
47				
48				
49				
50				



DESCRIPTION:
HYDRAÚLIC - LH TINE BEAM

MACHINE-
SOLO 600


SIMBA © 2005

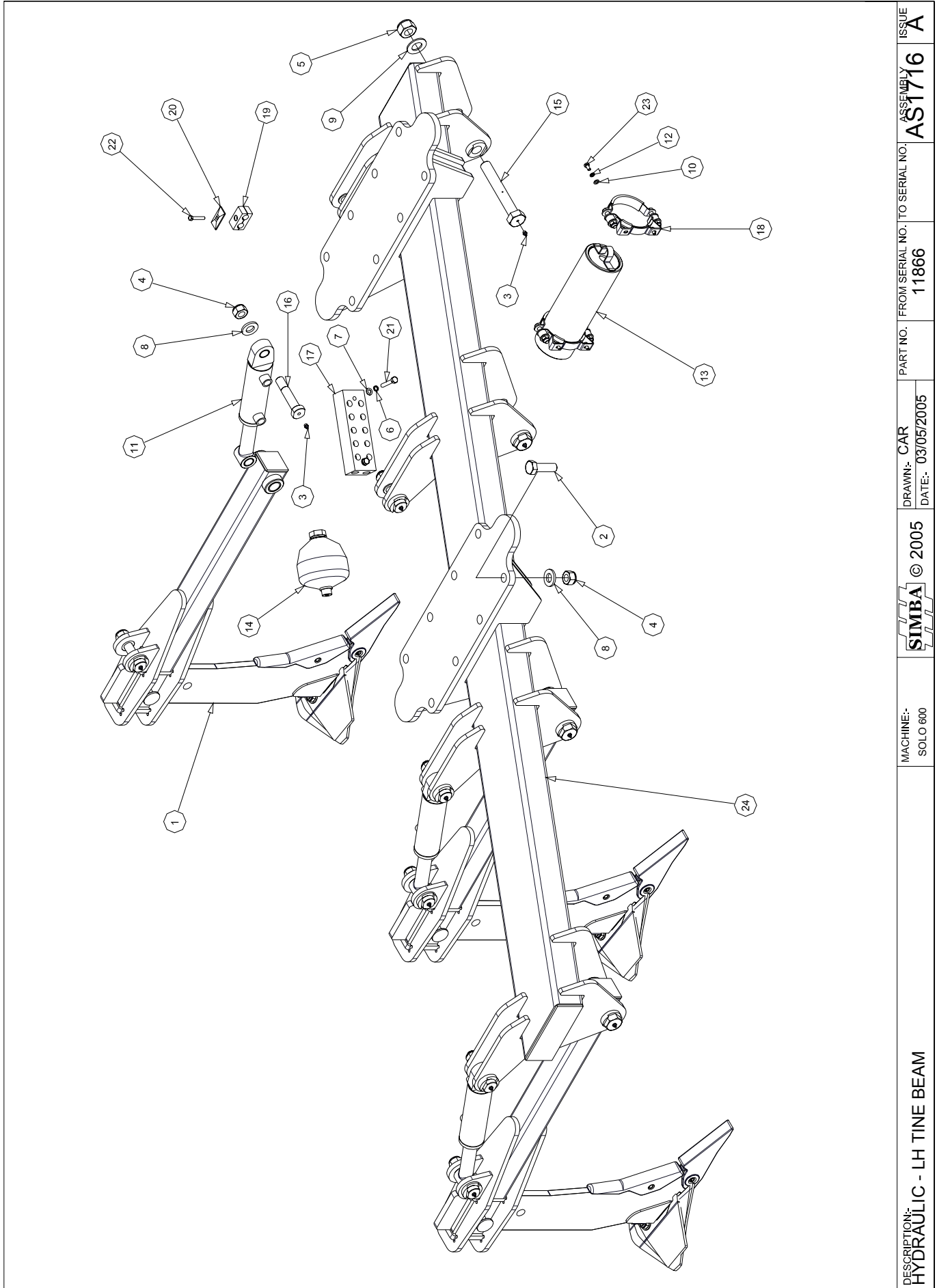
DRAWN- CAR
DATE- 03/05/2005

PART NO. FROM SERIAL NO. TO SERIAL NO.
11866


ASSEMBLY
AS1715

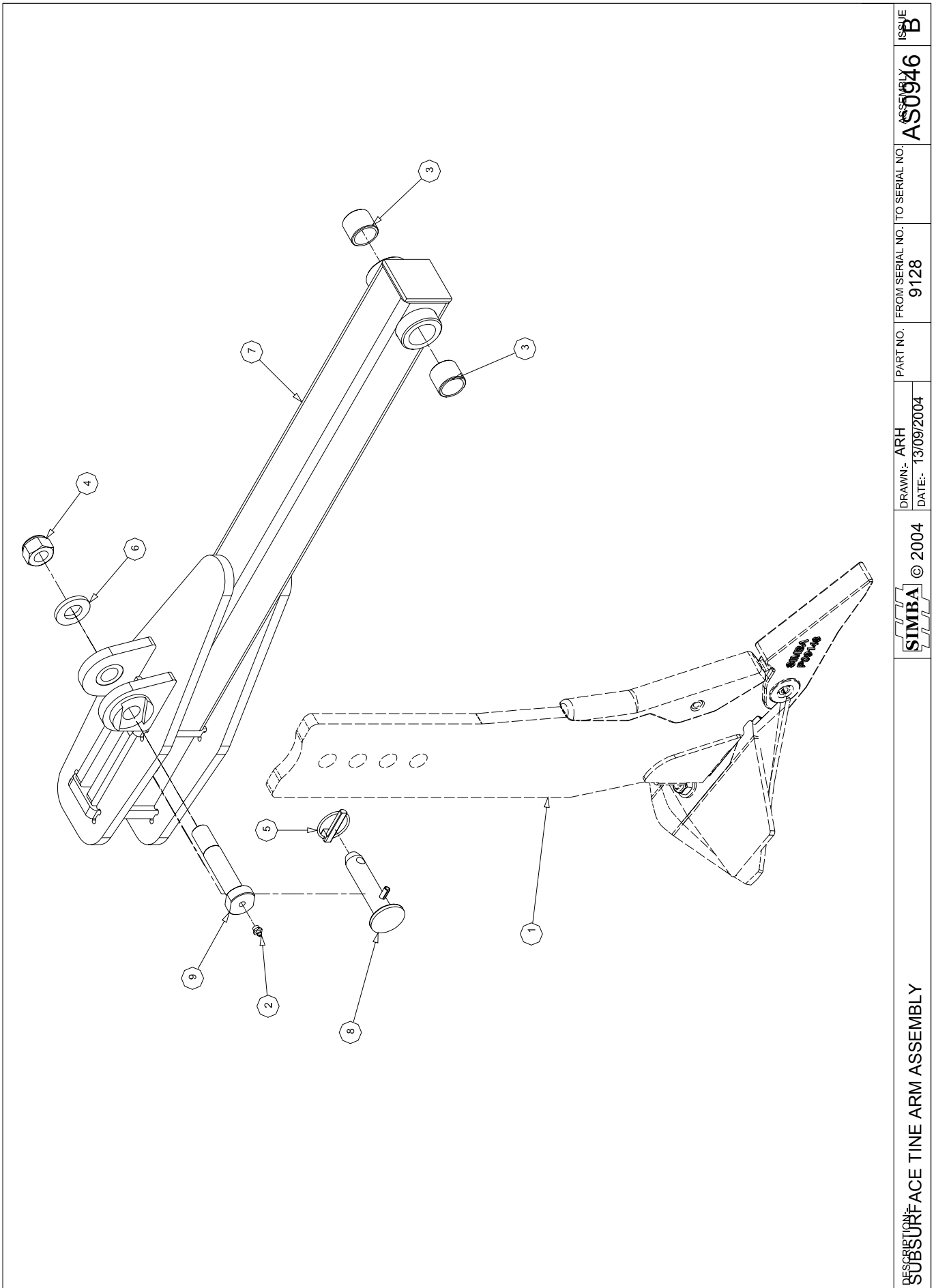
ISSUE
A

AS1715A		HYDRAULIC - LH TINE BEAM		
ITEM	PART NO	DESCRIPTION	QTY	COMMENTS
1	AS0946	SUBSURFACE TINE ARM ASSEMBLY	4	
2	P00015	BOLT M24x75 GR. 8.8	16	
3	P00071	NIPPLE - GREASE	8	
4	P02010	NUT LOCK M24	20	
5	P02011	NUT LOCK M30	4	
6	P02035	WASHER SPRING M10	2	
7	P02600	WASHER FLAT M10	2	
8	P02604	WASHER FLAT M24 Ø50	20	
9	P02608	WASHER FLAT M30	4	
10	P05535	WASHER FLAT M8	4	
11	P08606	CYLINDER - Ø63x100 - 40	4	
12	P08817	WASHER SPRING M8	4	
13	P08837	ACCUMULATOR 2L PISTON 80b	1	
14	P08838	ACCUMULATOR 1.4L DIAPHRAGM 10b	1	
15	P09074	BOLT M30x210 GRS GR. 8.8	4	
16	P09075	BOLT M24x125 GRS	4	
17	P09079	MANIFOLD DISTRIBUTION	1	
18	P09108	ACCUMULATOR CLAMP	2	
19	P09112	CLAMP ½" BSP PAIR	1	
20	P09113	CLAMP - TOP PLATE	1	
21	P09138	BOLT M10x60 GR. 8.8	2	
22	P10278	BOLT M8x45 GR. 8.8	1	
23	P10342	BOLT M8x16 GR. 8.8	4	
24	P13264	HYD TINE BEAM LH - 600	1	
25				
26				
27				
28				
29				
30				
31				
32				
33				
34				
35				
36				
37				
38				
39				
40				
41				
42				
43				
44				
45				
46				
47				
48				
49				
50				



DESCRIPTION: HYDRAULIC - LH TINE BEAM	MACHINE:- SOLO 600	© 2005	DRAWN:- CAR	PART NO.	FROM SERIAL NO. TO SERIAL NO.	ASSEMBLY	ISSUE
			DATE:- 03/05/2005	11866	AS1716	A	

AS1716A		HYDRAULIC - RH TINE BEAM		
ITEM	PART NO	DESCRIPTION	QTY	COMMENTS
1	AS0946	SUBSURFACE TINE ARM ASSEMBLY	4	
2	P00015	BOLT M24x75 GR. 8.8	16	
3	P00071	NIPPLE - GREASE	8	
4	P02010	NUT LOCK M24	20	
5	P02011	NUT LOCK M30	4	
6	P02035	WASHER SPRING M10	2	
7	P02600	WASHER FLAT M10	2	
8	P02604	WASHER FLAT M24 Ø50	20	
9	P02608	WASHER FLAT M30	4	
10	P05535	WASHER FLAT M8	4	
11	P08606	CYLINDER - Ø63x100 - 40	4	
12	P08817	WASHER SPRING M8	4	
13	P08837	ACCUMULATOR 2L PISTON 80b	1	
14	P08838	ACCUMULATOR 1.4L DIAPHRAGM 10b	1	
15	P09074	BOLT M30x210 GRS GR. 8.8	4	
16	P09075	BOLT M24x125 GRS	4	
17	P09079	MANIFOLD DISTRIBUTION	1	
18	P09108	ACCUMULATOR CLAMP	2	
19	P09112	CLAMP ½" BSP PAIR	1	
20	P09113	CLAMP - TOP PLATE	1	
21	P09138	BOLT M10x60 GR. 8.8	2	
22	P10278	BOLT M8x45 GR. 8.8	1	
23	P10342	BOLT M8x16 GR. 8.8	4	
24	P13267	WING - FRONT RH	1	
25				
26				
27				
28				
29				
30				
31				
32				
33				
34				
35				
36				
37				
38				
39				
40				
41				
42				
43				
44				
45				
46				
47				
48				
49				
50				



DESCRIPTION: SUBSURFACE TINE ARM ASSEMBLY

SIMBA © 2004


DRAWN: ARH
DATE: 13/09/2004

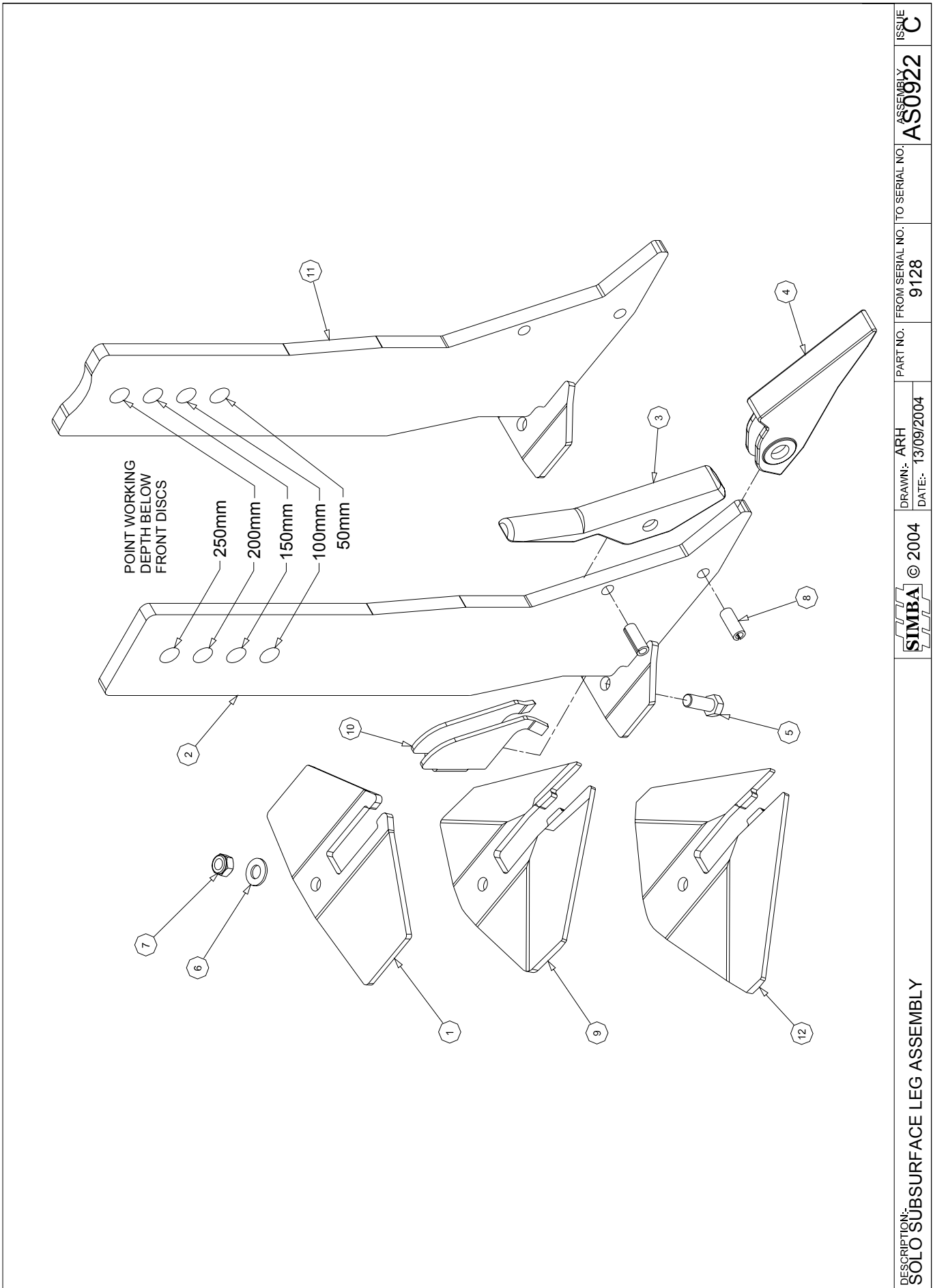
PART NO. 9128

FROM SERIAL NO. TO SERIAL NO. ASSEMBLY


AS0946

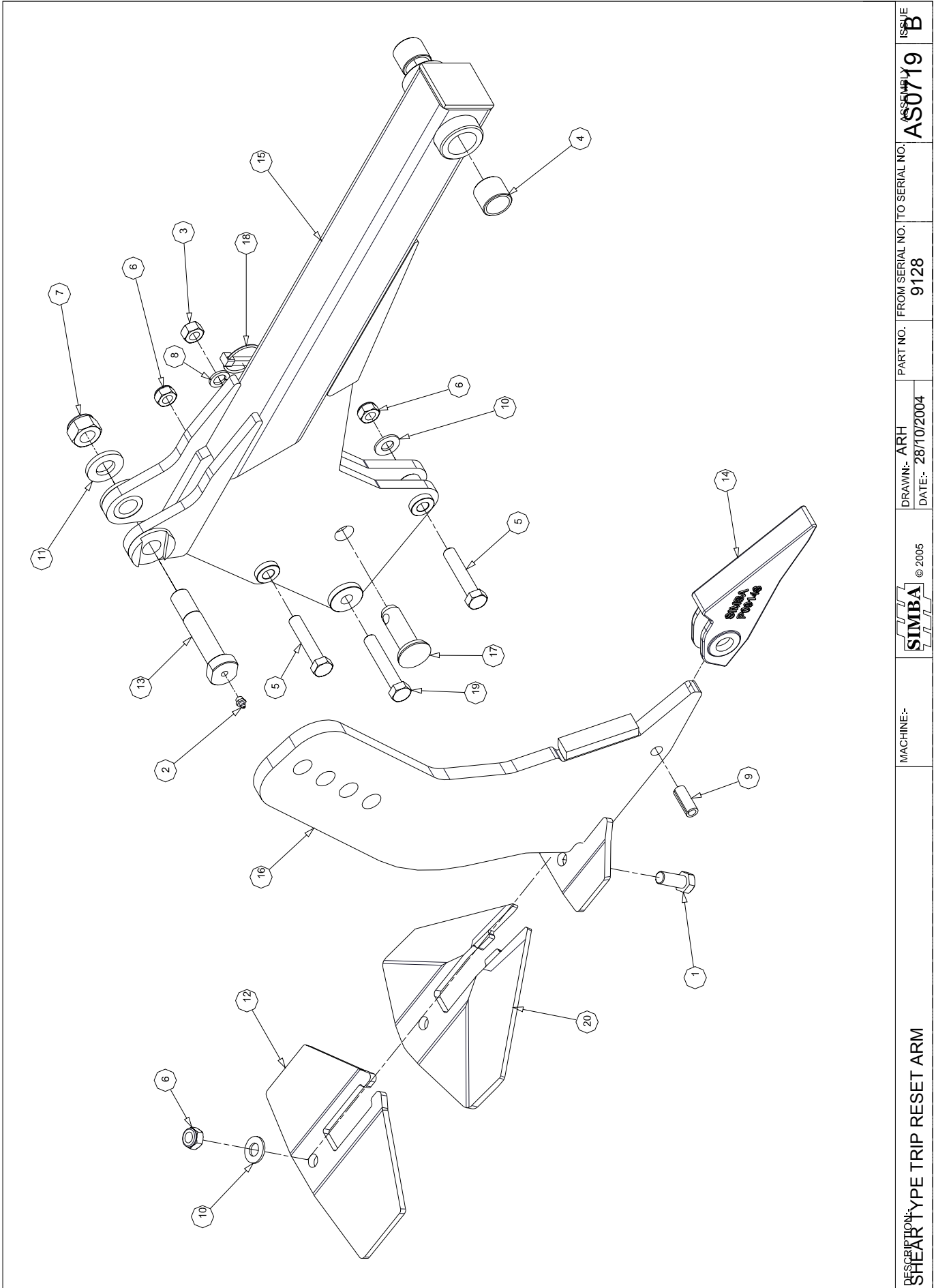
ISSUE B

AS0946		TINE TRIP ARM ASSEMBLY 2001 SOLO		
ITEM	PART NO	DESCRIPTION	QTY	COMMENTS
1	AS0922	SOLO SUBSURFACE LEG ASSEMBLY	1	
2	P00071	NIPPLE - GREASE	1	
3	P01646	BUSH SPRUNG - Ø40xØ32x32	2	
4	P02010	NUT LOCK M24	1	
5	P02484	LYNCH PIN CAT 2	1	
6	P02604	WASHER FLAT M24 Ø50	1	
7	P09015	TRIP ARM - NON SHEAR	1	
8	P09073	PIN - Ø25x115	1	
9	P09075	BOLT M24x125 GRS	1	
10				
11				
12				
13				
14				
15				
16				
17				
18				
19				
20				
21				
22				
23				
24				
25				
26				
27				
28				
29				
30				
31				
32				
33				
34				
35				
36				
37				
38				
39				
40				
41				
42				
43				
44				
45				
46				
47				
48				
49				
50				




DESCRIPTION: SOLO SUBSURFACE LEG ASSEMBLY	SIMBA © 2004	DRAWN: ARH	FROM SERIAL NO. TO SERIAL NO.	ISSUE
		DATE: 13/09/2004	9128	C
		PART NO.	ASSEMBLY	
			AS0922	

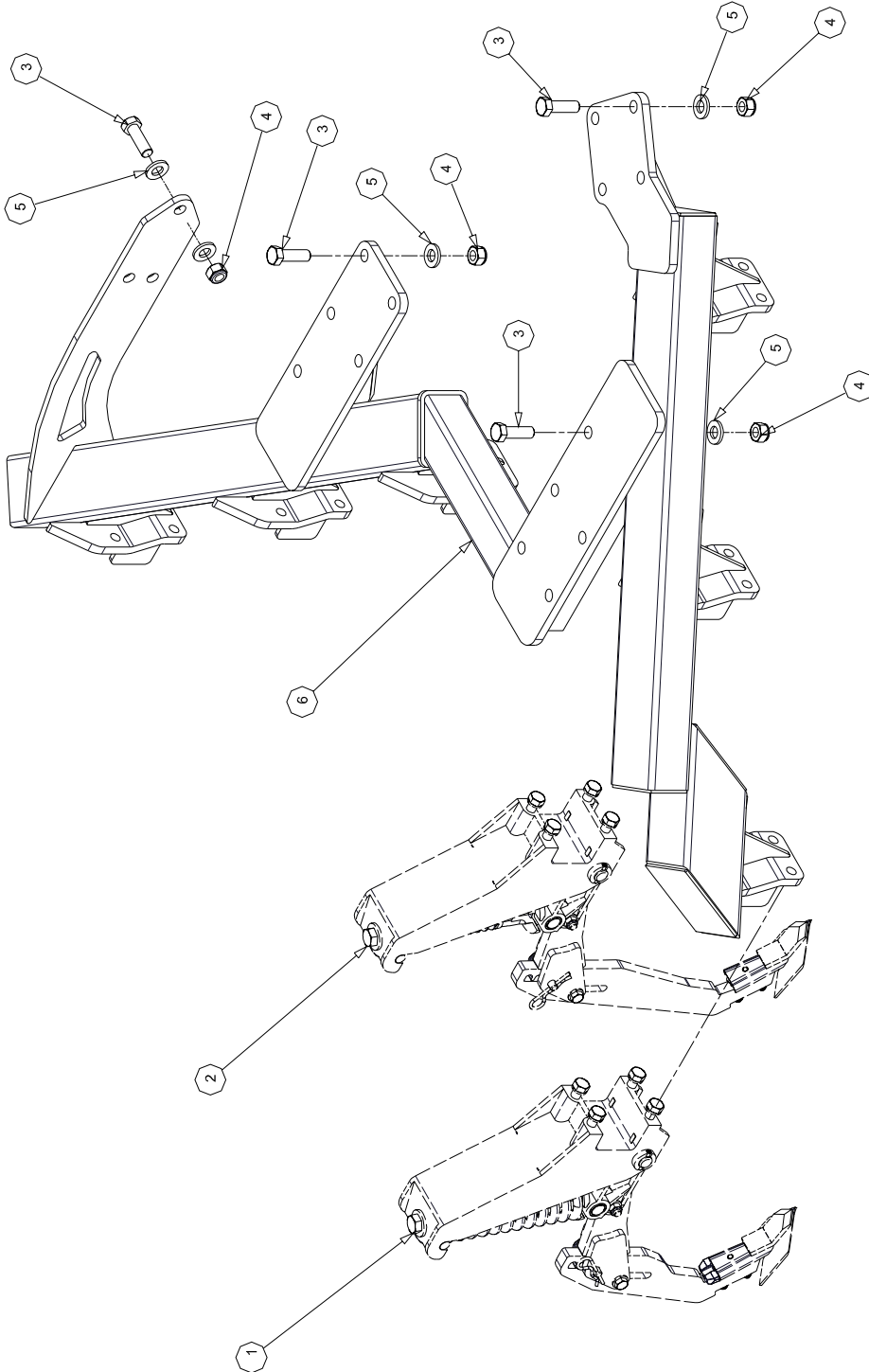
AS0922		TRIP RESET TINE ASSEMBLY 2001 SOLO		
ITEM	PART NO	DESCRIPTION	QTY	COMMENTS
1	P09060	WING - PROLIFT LOW	1	
2	P10487	TINE - PINNED SHIN	1	
3	P10391	WEARSHIN NON REVERSIBLE	1	
4	P09148	POINT - PROLIFT CrFe	1	
5	P00007	BOLT M16x40 GR. 8.8	1	
6	P02602	WASHER FLAT M16	1	
7	P02008	NUT LOCK M16	1	
8	P02481	ROLL PIN Ø16x40	2	
9	P10392	WING - PROLIFT 250mm	1	
10	P11181	WEAR SHROUD	1	
11	P11464	TINE - SOLO 2002 - 50mm	1	
12	P10411	WING - PROLIFT 350mm	1	
13				
14				
15				
16				
17				
18				
19				
20				
21				
22				
23				
24				
25				
26				
27				
28				
29				
30				
31				
32				
33				
34				
35				
36				
37				
38				
39				
40				
41				
42				
43				
44				
45				
46				
47				
48				
49				
50				



MACHINE:-	DRAWN:- ARH DATE:- 28/10/2004	PART NO. 9128	FROM SERIAL NO. TO SERIAL NO.	ASSEMBLY	ISSUE
				AS0719	B

DESCRIPTION: SHEAR TYPE TRIP RESET ARM

AS0719		SHEAR TYPE TRIP RESET TINE SOLO		
ITEM	PART NO	DESCRIPTION	QTY	COMMENTS
1	P00007	BOLT M16x40 GR. 8.8	1	
2	P00071	NIPPLE - GREASE	1	
3	P01358	NUT PLAIN M16	1	
4	P01646	BUSH SPRUNG - Ø40xØ32x32	2	
5	P01901	BOLT M16x80 GR. 8.8	2	
6	P02008	NUT LOCK M16	3	
7	P02010	NUT LOCK M24	1	
8	P02038	WASHER SPRING M16	1	
9	P02481	ROLL PIN Ø16x40	1	
10	P02602	WASHER FLAT M16	3	
11	P02604	WASHER FLAT M24 Ø50	1	
12	P09060	WING - PROLIFT LOW	1	
13	P09075	BOLT M24x125 GRS	1	
14	P09148	POINT - PROLIFT CrFe	1	
15	P09157	SHEAR TYPE TRIP ARM	1	
16	P09158	SHEAR LEG	1	
17	P09161	PIN Ø25x72	1	
18	P09166	LYNCH PIN CAT 2 LOCKING	1	
19	P09270	BOLT M16x90 GR. 8.8	1	
20	P10392	WING - PROLIFT 250mm	1	
21				
22				
23				
24				
25				
26				
27				
28				
29				
30				
31				
32				
33				
34				
35				
36				
37				
38				
39				
40				
41				
42				
43				
44				
45				
46				
47				
48				
49				
50				



DESCRIPTION:
SOLO 450 ST - LH TINE BEAM

MACHINE:-
SOLO 450

© 2005


DRAWN:- CAR
DATE:- 15/04/2005

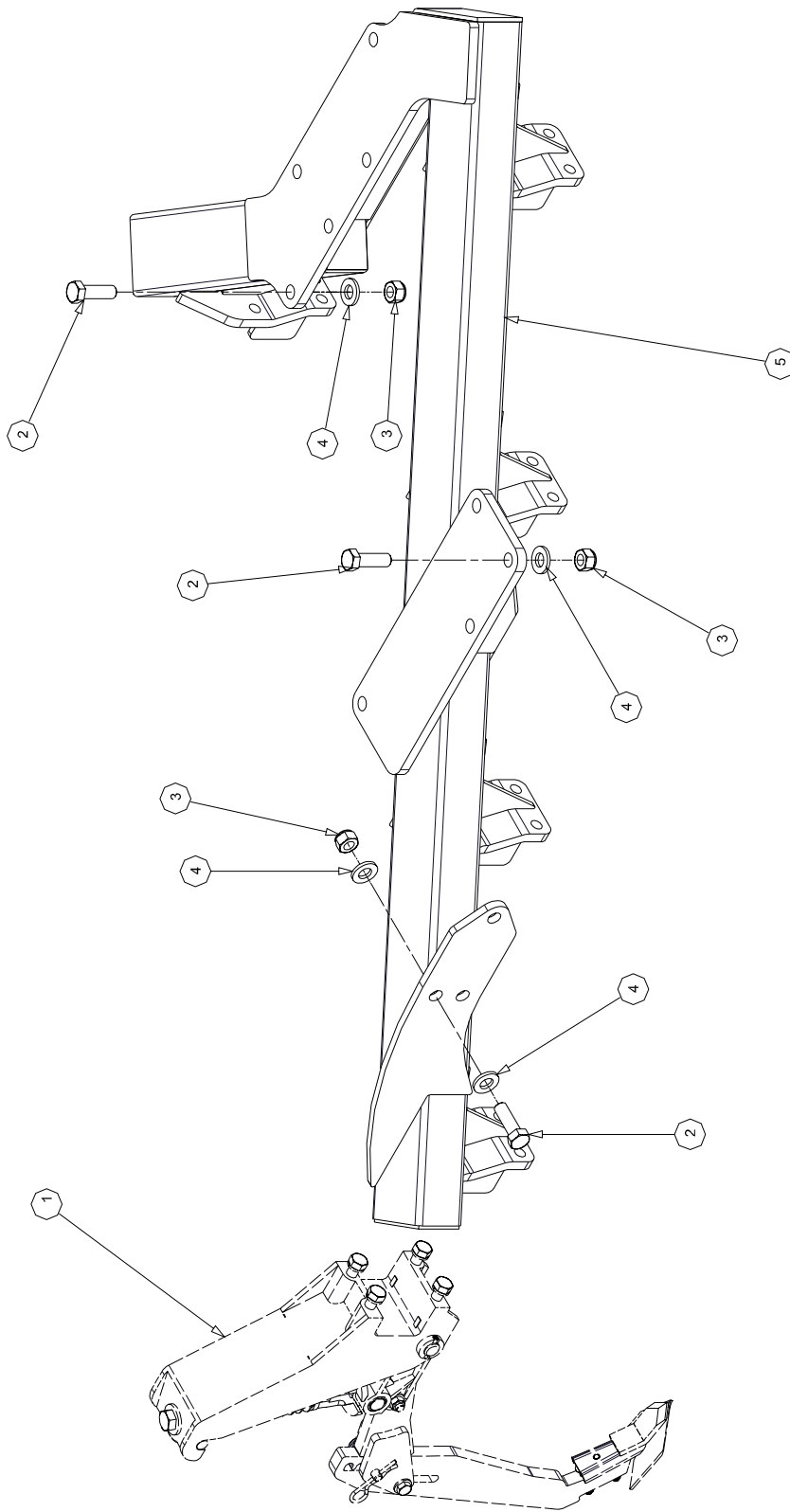
PART NO. FROM SERIAL NO. TO SERIAL NO.
12633

ASSEMBLY
AS1709

ISSUE
A



AS1709A		SOLO 450 ST - LH TINE BEAM		
ITEM	PART NO	DESCRIPTION	QTY	COMMENTS
1	AS1632	TINE - ST TYPE CTR.	1	
2	AS1704	SOLO ST TINE ASSEMBLY	5	
3	P00015	BOLT M24x75 GR. 8.8	17	
4	P02010	NUT LOCK M24	17	
5	P02604	WASHER FLAT M24 Ø50	20	
6	P13235	ST TINE BEAM LH - 450	1	
7				
8				
9				
10				
11				
12				
13				
14				
15				
16				
17				
18				
19				
20				
21				
22				
23				
24				
25				
26				
27				
28				
29				
30				
31				
32				
33				
34				
35				
36				
37				
38				
39				
40				
41				
42				
43				
44				
45				
46				
47				
48				
49				
50				



DESCRIPTION:
SOLO 450 ST - RH TINE BEAM

MACHINE:-
SOLO 450

SIMBA © 2005

DRAWN:- CAR
DATE:- 18/04/2005


PART NO.
12633

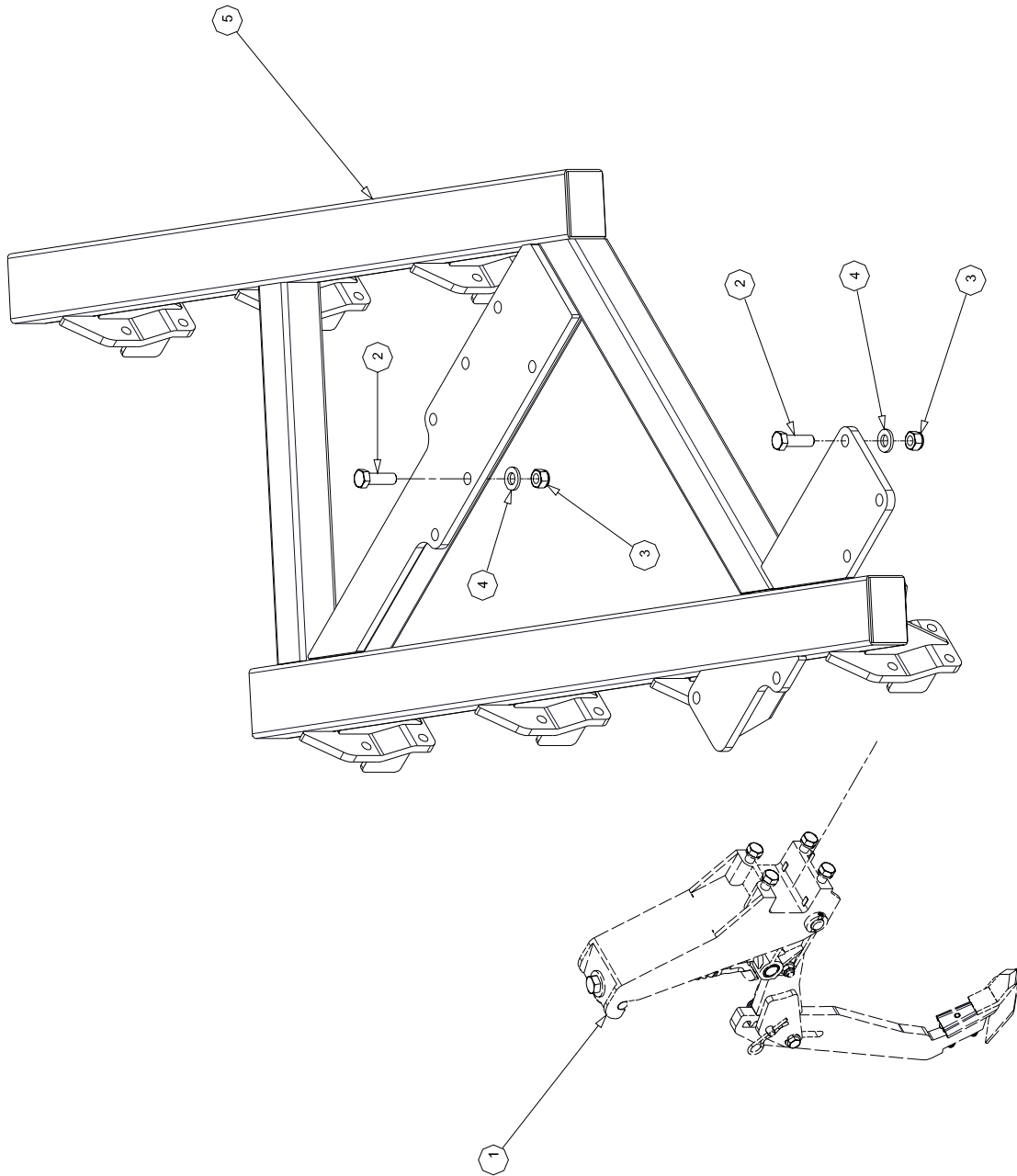
FROM SERIAL NO. | TO SERIAL NO.
12633

ASSEMBLY
AS1710

ISSUE
A



AS1710A		SOLO 450 ST - RH TINE BEAM		
ITEM	PART NO	DESCRIPTION	QTY	COMMENTS
1	AS1704	SOLO ST TINE ASSEMBLY	5	
2	P00015	BOLT M24x75 GR. 8.8	12	
3	P02010	NUT LOCK M24	12	
4	P02604	WASHER FLAT M24 Ø50	15	
5	P13238	ST TINE BEAM RH - 450	1	
6				
7				
8				
9				
10				
11				
12				
13				
14				
15				
16				
17				
18				
19				
20				
21				
22				
23				
24				
25				
26				
27				
28				
29				
30				
31				
32				
33				
34				
35				
36				
37				
38				
39				
40				
41				
42				
43				
44				
45				
46				
47				
48				
49				
50				



DESCRIPTION:
SOLO 600 ST - LH TINE BEAM

MACHINE:-
SOLO 600

SIMBA © 2005


DRAWN:- CAR
DATE:- 19/04/2005

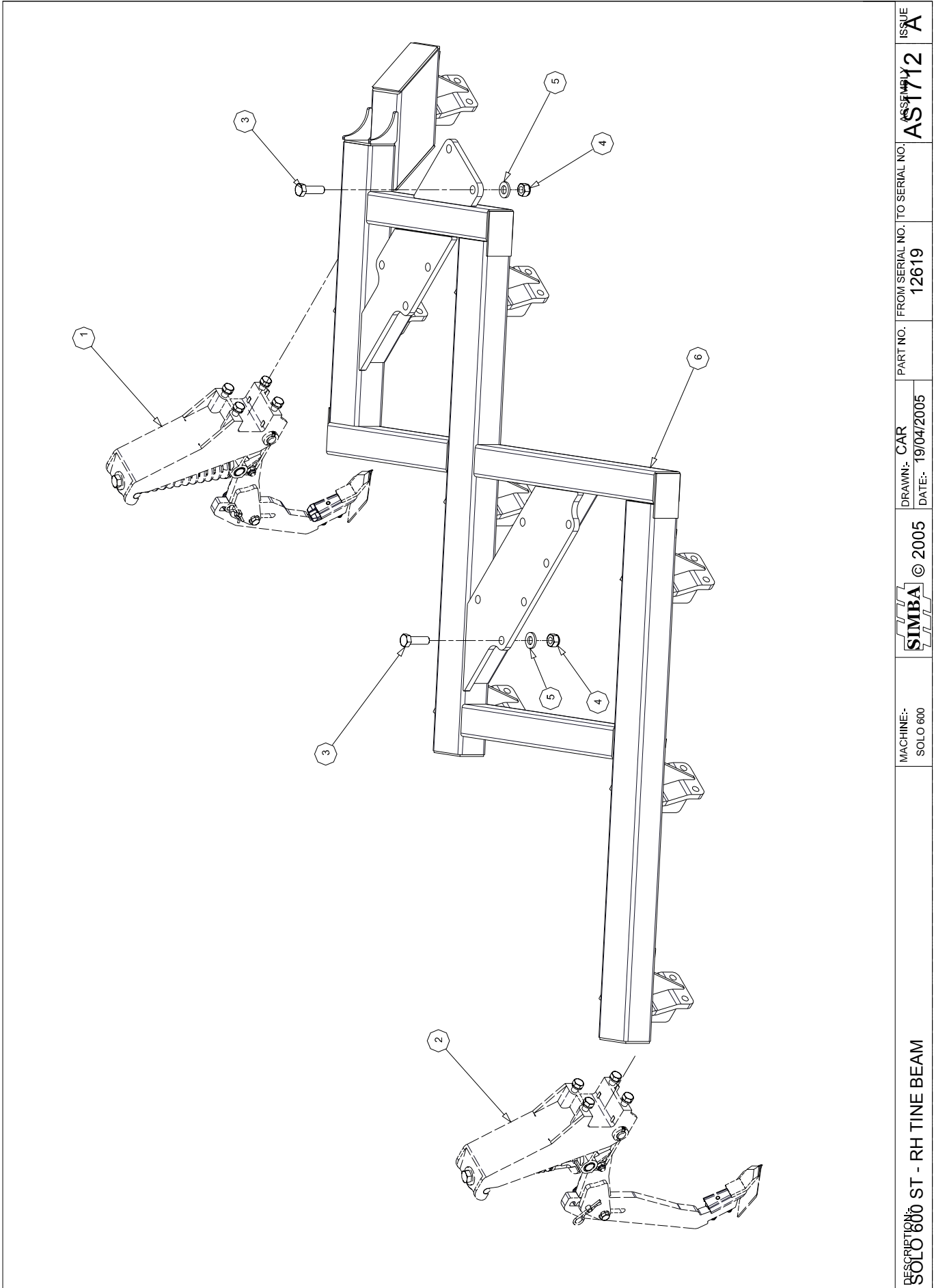
PART NO. FROM SERIAL NO. TO SERIAL NO.
12619

ASSEMBLY
AST1711

ISSUE
A




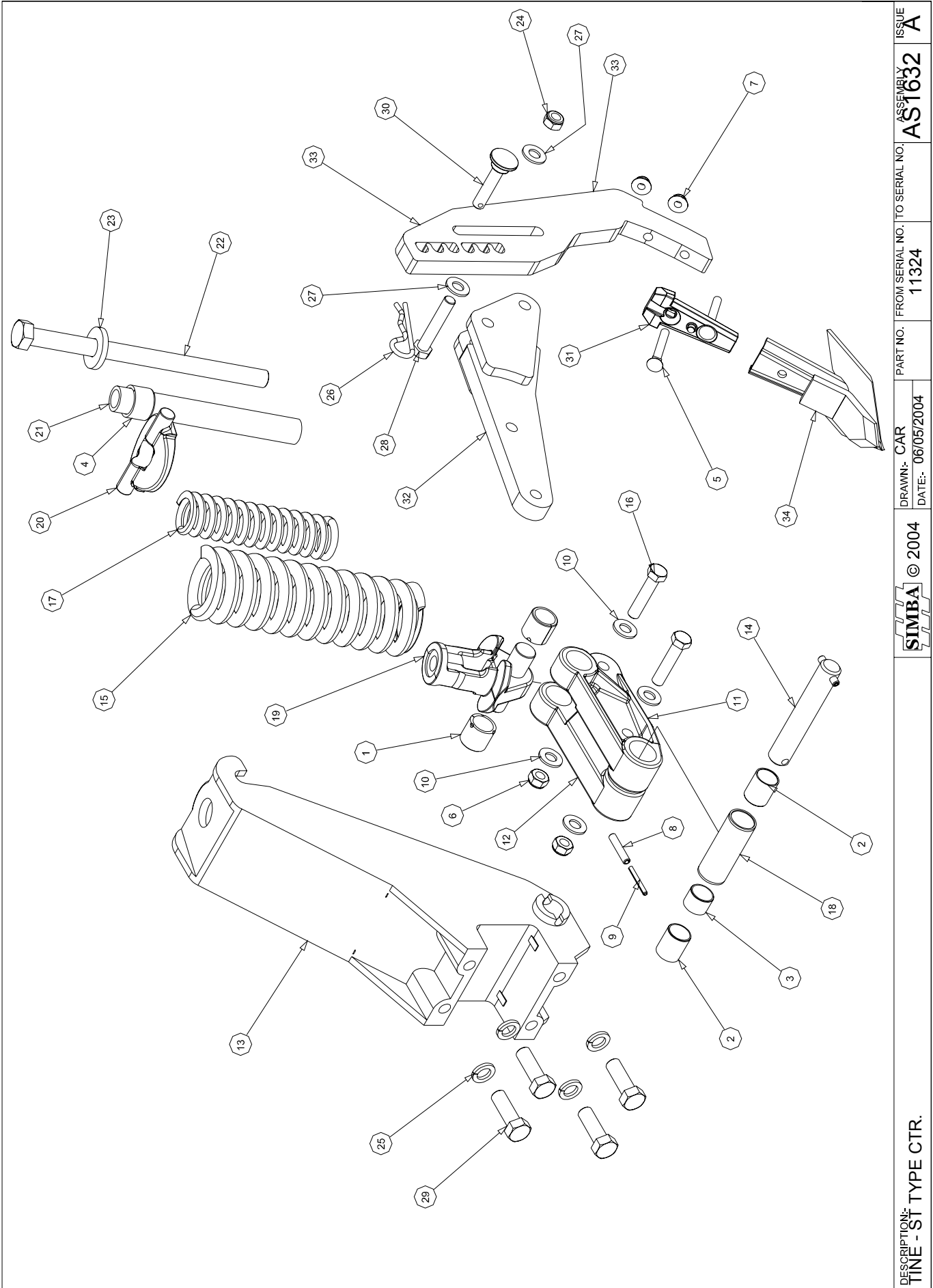
AS1711A		SOLO 600 ST - LH TINE BEAM		
ITEM	PART NO	DESCRIPTION	QTY	COMMENTS
1	AS1704	SOLO ST TINE ASSEMBLY	7	
2	P00015	BOLT M24x75 GR. 8.8	11	
3	P02010	NUT LOCK M24	11	
4	P02604	WASHER FLAT M24 Ø50	11	
5	P13265	ST TINE BEAM LH - 600	1	
6				
7				
8				
9				
10				
11				
12				
13				
14				
15				
16				
17				
18				
19				
20				
21				
22				
23				
24				
25				
26				
27				
28				
29				
30				
31				
32				
33				
34				
35				
36				
37				
38				
39				
40				
41				
42				
43				
44				
45				
46				
47				
48				
49				
50				




ISSUE	ASSEMBLY AST1712	FROM SERIAL NO. TO SERIAL NO.	PART NO.	DRAWN: CAR	DATE: 19/04/2005	MACHINE:- SOLO 600	SIMBA © 2005	DESCRIPTION: SOLO 600 ST - RH TINE BEAM
A	12619							

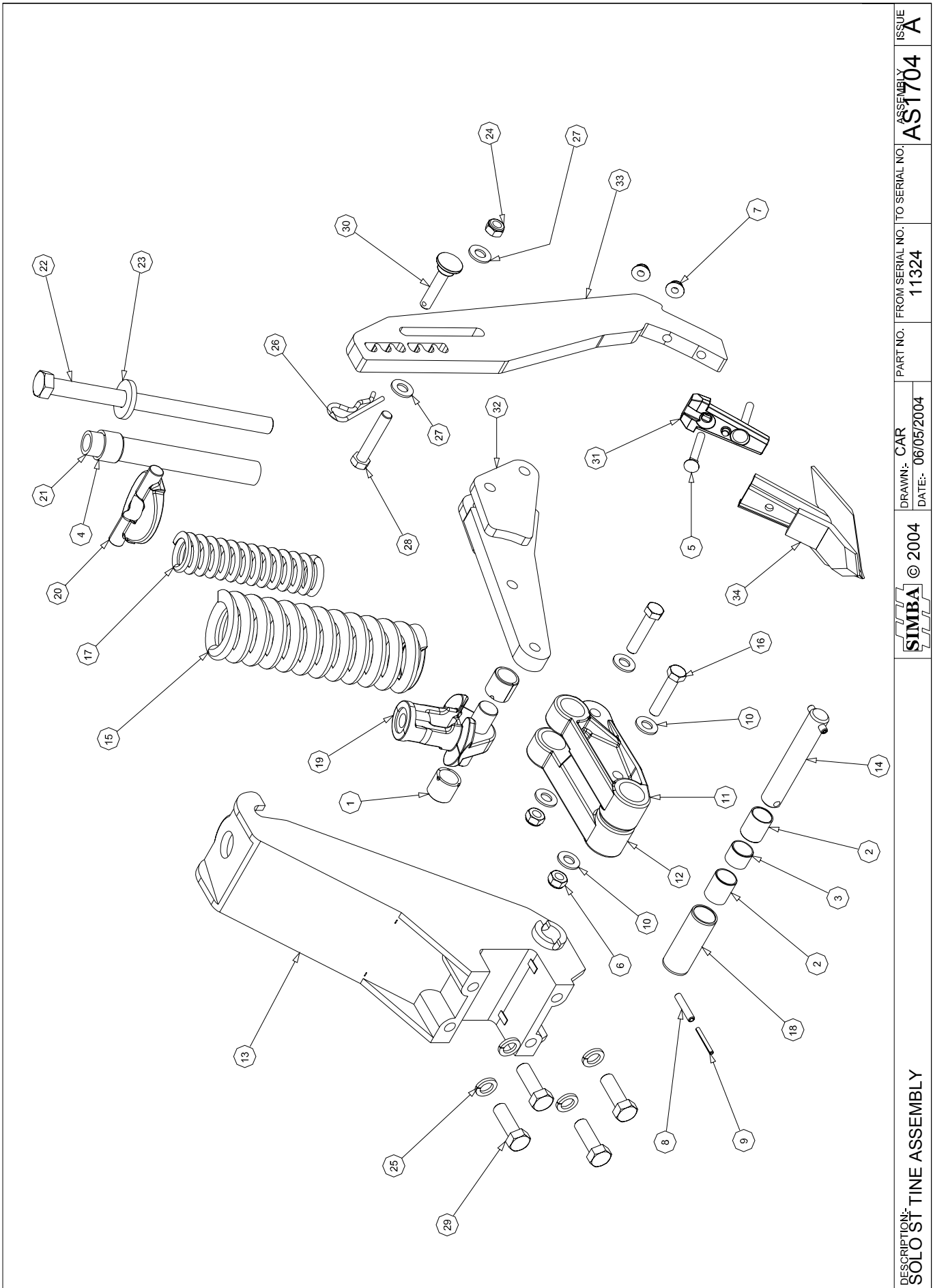


AS1712A		SOLO 600 ST - RH TINE BEAM		
ITEM	PART NO	DESCRIPTION	QTY	COMMENTS
1	AS1632	TINE - ST TYPE CTR.	1	
2	AS1704	SOLO ST TINE ASSEMBLY	7	
3	P00015	BOLT M24x75 GR. 8.8	11	
4	P02010	NUT LOCK M24	11	
5	P02604	WASHER FLAT M24 Ø50	11	
6	P13268	ST TINE BEAM RH - 600	1	
7				
8				
9				
10				
11				
12				
13				
14				
15				
16				
17				
18				
19				
20				
21				
22				
23				
24				
25				
26				
27				
28				
29				
30				
31				
32				
33				
34				
35				
36				
37				
38				
39				
40				
41				
42				
43				
44				
45				
46				
47				
48				
49				
50				




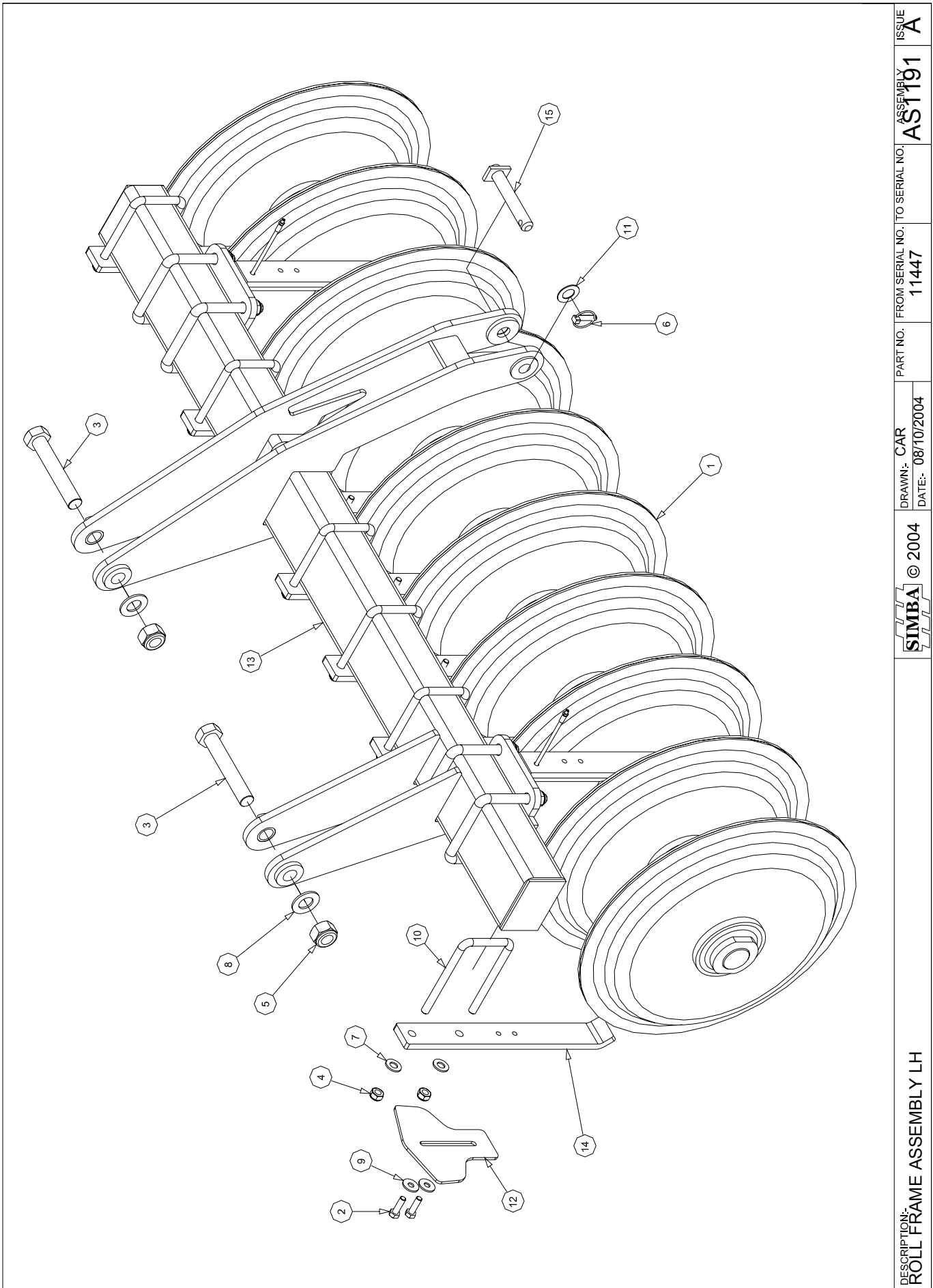
DRAWN: CAR DATE: 06/05/2004	PART NO.	FROM SERIAL NO. 11324	TO SERIAL NO.	ASSEMBLY NO. AS1632	ISSUE A
	SIMBA © 2004				
DESCRIPTION: TINE - ST TYPE CTR.					

AS1632A		SOLO ST CENTRE TINE		
ITEM	PART NO	DESCRIPTION	QTY	COMMENTS
1	H00230085	BUSH Ø38xØ30x35	2	
2	H00230086	BUSH Ø34xØ30x40	2	
3	H00230087	BUSH Ø34xØ30x25	1	
4	H00230098	BUSH Ø44xØ36x30	1	
5	H00310153	BOLT M12x80 CSK SQ. 12.9	2	
6	H00350061	NUT LOCK M16	2	
7	H00350084	NUT LOCK M12 FLANGED	2	
8	H00370060	ROLL PIN Ø10x50	2	
9	H00370074	ROLL PIN Ø6x50	2	
10	H00370108	WASHER FLAT M16	4	
11	H34060801	TINE ARM LH	1	
12	H34060803	TINE ARM RH	1	
13	H34060806	CLAMP BASE	1	
14	H34060807	PIN Ø30x178	1	
15	H34060809	SPRING Ø84xØ19x372	1	
16	H34060813	BOLT M16x75 GR10.9	2	
17	H34060816	SPRING Ø50xØ10x273	1	
18	H34060822	BUSH Ø40xØ34x105	1	
19	H34060842	SPRING PIVOT	1	
20	H34060844	SPRING TOP PLATE	1	
21	H34060845	SPRING TUBE	1	
22	H34060846	BOLT M24x360 GR8.8	1	
23	H34080847	WASHER Ø57xØ26x8	1	
24	P02008	NUT LOCK M16	1	
25	P02332	WASHER SPRING M20	4	
26	P02485	R CLIP Ø6x120	1	
27	P02602	WASHER FLAT M16	2	
28	P02649	BOLT M16x90 GR. 8.8	1	
29	P03115	BOLT M20x60 GR. 8.8	4	
30	P05207	PIN Ø16x73	1	
31	P12711	WEDGE COMPLETE	1	
32	P12911	TERRAGRIP CONVERTER	1	
33	P13012	TINE - ST TYPE CTR.	1	
34	P13135	POINT KNOCK ON 100mm	1	
	P12713	POINT KNOCK ON 225mm	1	OPTION
35				
36				
37				
38				
39				
40				
41				
42				
43				
44				
45				
46				
47				
48				
49				




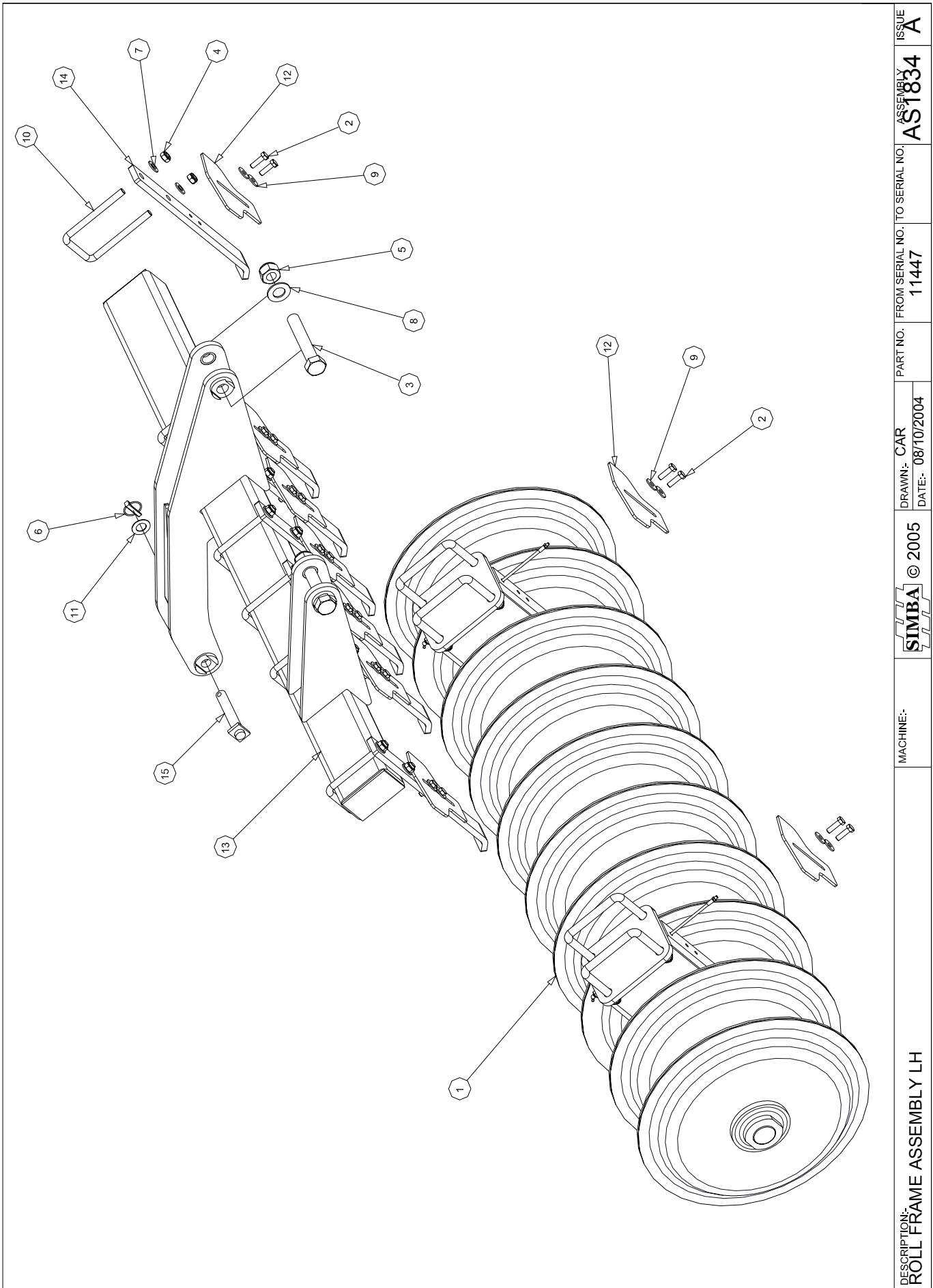
DESCRIPTION: SOLO ST TINE ASSEMBLY	SIMBA © 2004	DRAWN: CAR DATE: 06/05/2004	PART NO. AS1704	FROM SERIAL NO. TO SERIAL NO. 11324	ISSUE A

AS1704A		SOLO ST TINE		
ITEM	PART NO	DESCRIPTION	QTY	COMMENTS
1	H00230085	BUSH Ø38xØ30x35	2	
2	H00230086	BUSH Ø34xØ30x40	2	
3	H00230087	BUSH Ø34xØ30x25	1	
4	H00230098	BUSH Ø44xØ36x30	1	
5	H00310153	BOLT M12x80 CSK SQ. 12.9	2	
6	H00350061	NUT LOCK M16	2	
7	H00350084	NUT LOCK M12 FLANGED	2	
8	H00370060	ROLL PIN Ø10x50	2	
9	H00370074	ROLL PIN Ø6x50	2	
10	H00370108	WASHER FLAT M16	4	
11	H34060801	TINE ARM LH	1	
12	H34060803	TINE ARM RH	1	
13	H34060806	CLAMP BASE	1	
14	H34060807	PIN Ø30x178	1	
15	H34060809	SPRING Ø84xØ19x372	1	
16	H34060813	BOLT M16x75 GR10.9	2	
17	H34060816	SPRING Ø50xØ10x273	1	
18	H34060822	BUSH Ø40xØ34x105	1	
19	H34060842	SPRING PIVOT	1	
20	H34060844	SPRING TOP PLATE	1	
21	H34060845	SPRING TUBE	1	
22	H34060846	BOLT M24x360 GR8.8	1	
23	H34080847	WASHER Ø57xØ26x8	1	
24	P02008	NUT LOCK M16	1	
25	P02332	WASHER SPRING M20	4	
26	P02485	R CLIP Ø6x120	1	
27	P02602	WASHER FLAT M16	2	
28	P02649	BOLT M16x90 GR. 8.8	1	
29	P03115	BOLT M20x60 GR. 8.8	4	
30	P05207	PIN Ø16x73	1	
31	P12711	WEDGE COMPLETE	1	
32	P12911	TERRAGRIP CONVERTER	1	
33	P13093	TINE - ST TYPE	1	
34	P13135	POINT KNOCK ON 100mm	1	
	P12713	POINT KNOCK ON 225mm	1	OPTION
35				
36				
37				
38				
39				
40				
41				
42				
43				
44				
45				
46				
47				
48				
49				




© 2004	DRAWN: CAR DATE: 08/10/2004	PART NO. 11447 FROM SERIAL NO. TO SERIAL NO.	ASSEMBLY NO. AS1191	ISSUE A
	DESCRIPTION: ROLL FRAME ASSEMBLY LH			

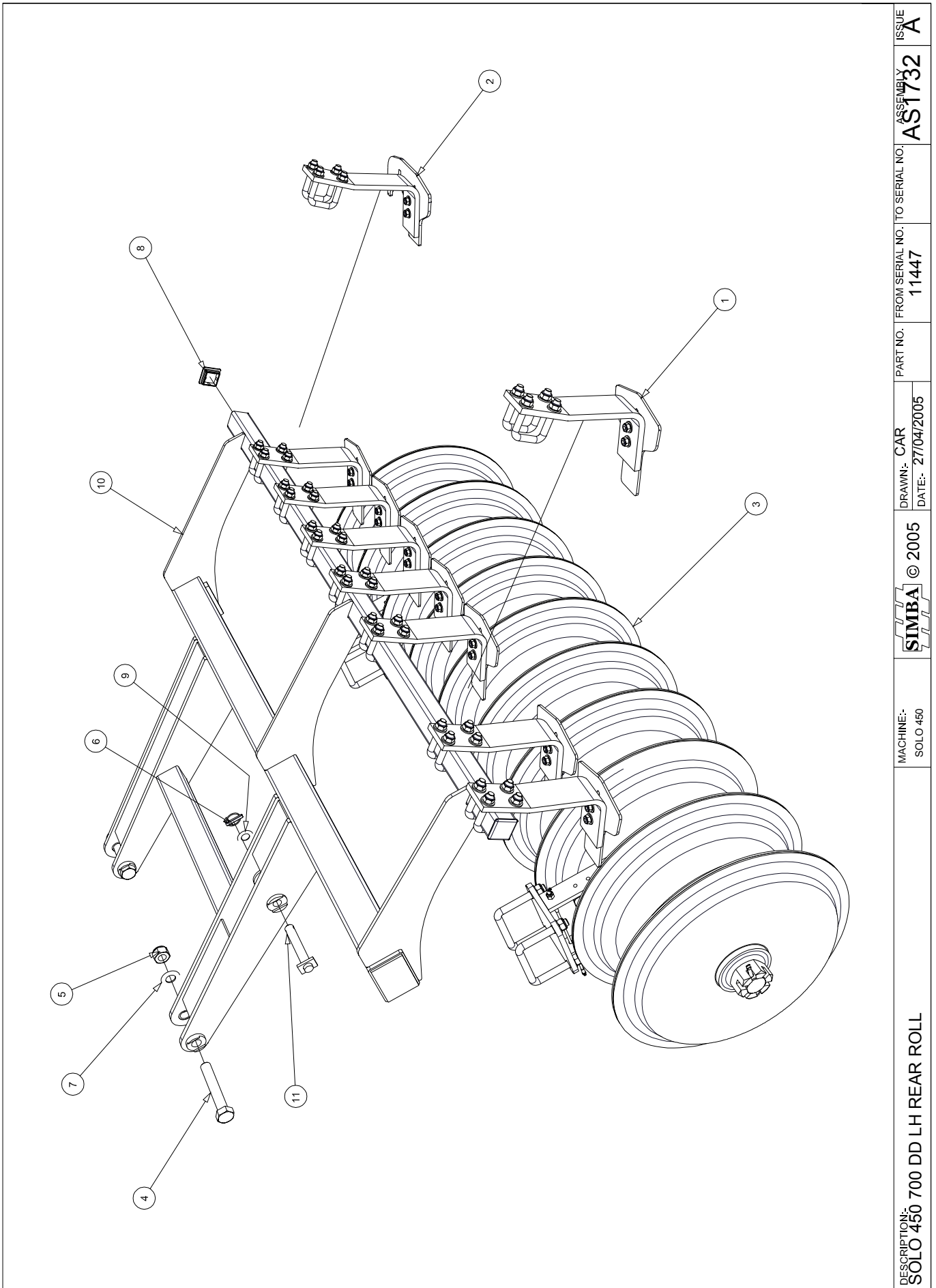
AS1191		ROLL FRAME ASSEMBLY LH		
ITEM	PART NO	DESCRIPTION	QTY	COMMENTS
1	AS1189	AXLE ASSEMBLY - DD600 10 RINGS	1	
2	P00003	BOLT M12x40 GR. 8.8	18	
3	P00036	BOLT M30x180 GR. 8.8	2	
4	P02008	NUT LOCK M16	14	
5	P02011	NUT LOCK M30	2	
6	P02484	LYNCH PIN CAT 2	1	
7	P02602	WASHER FLAT M16	14	
8	P02608	WASHER FLAT M30	2	
9	P04179	WASHER FLAT M12 Ø38	18	
10	P06802	BOLT U M16 GR8.8 190x117	7	
11	P08331	1" DIA TABLE 3 LIGHT	1	
12	P08607	SCRAPER PLATE DD RING SHORT	9	
13	P12274	ROLL FRAME MID LH	1	
14	P12587	SCRAPER STEM STR DD	7	
15	P13292	REAR ROLL PIN	1	
16				
17				
18				
19				
20				
21				
22				
23				
24				
25				
26				
27				
28				
29				
30				
31				
32				
33				
34				
35				
36				
37				
38				
39				
40				
41				
42				
43				
44				
45				
46				
47				
48				
49				
50				




ISSUE	ASSEMBLY AS1834	TO SERIAL NO.	PART NO.	DRAWN: CAR	MACHINE:	DATE: 08/10/2004	FROM SERIAL NO.	11447	© 2005	SIMBA	© 2005	DATE: 08/10/2004	DRAWN: CAR	MACHINE:	FROM SERIAL NO.	11447	TO SERIAL NO.	ISSUE	A
DESCRIPTION: ROLL FRAME ASSEMBLY LH																			

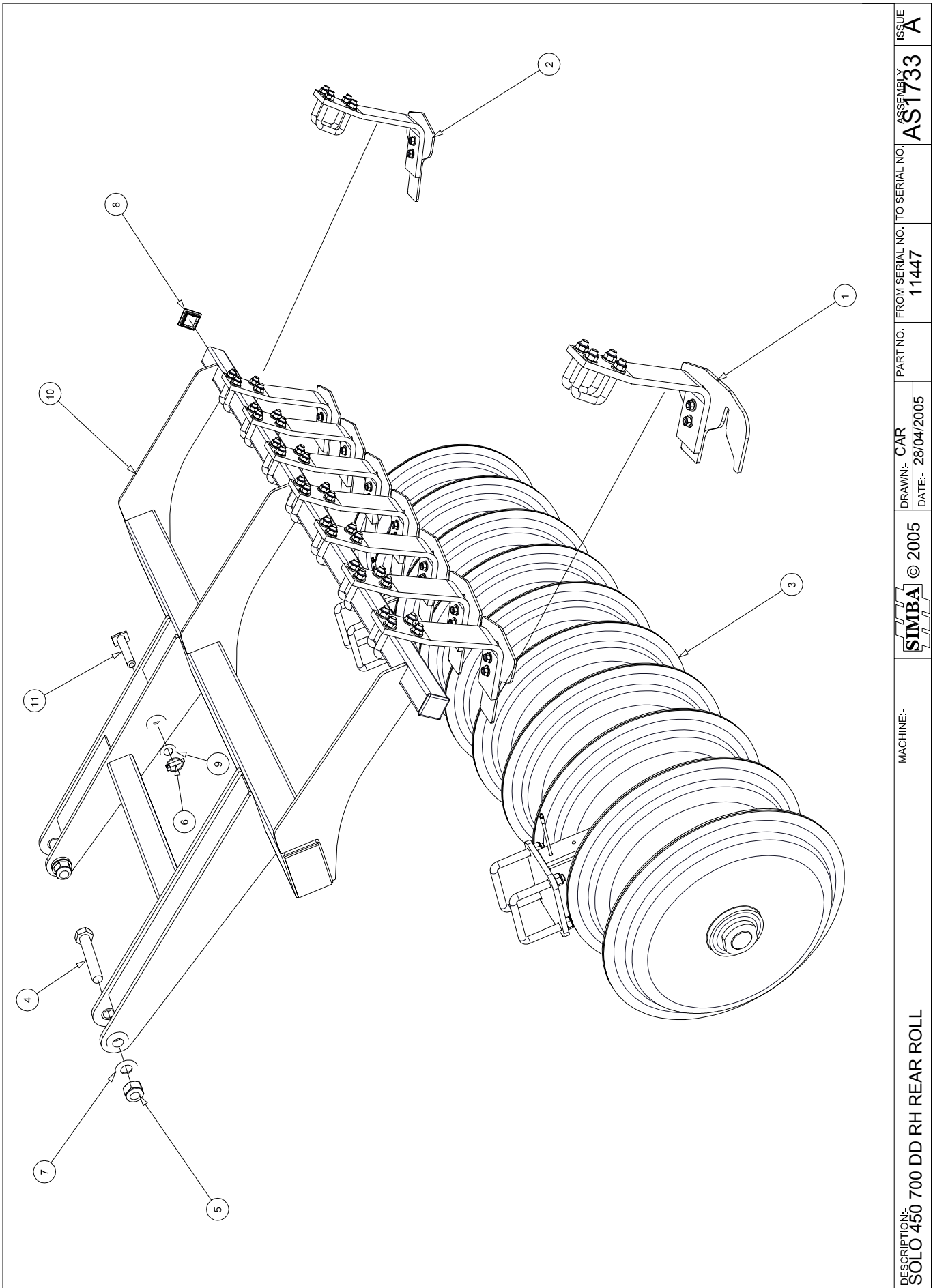


AS1834A		SOLO 450 - MID RH ROLL		
ITEM	PART NO	DESCRIPTION	QTY	COMMENTS
1	AS1189	AXLE ASSEMBLY - DD600 10 RINGS	1	
2	P00003	BOLT M12x40 GR. 8.8	18	
3	P00036	BOLT M30x180 GR. 8.8	2	
4	P02008	NUT LOCK M16	14	
5	P02011	NUT LOCK M30	2	
6	P02484	LYNCH PIN CAT 2	1	
7	P02602	WASHER FLAT M16	14	
8	P02608	WASHER FLAT M30	2	
9	P04179	WASHER FLAT M12 Ø38	18	
10	P06802	BOLT U M16 GR8.8 190x117	7	
11	P08331	1" DIA TABLE 3 LIGHT	1	
12	P08607	SCRAPER PLATE DD RING SHORT	9	
13	P12427	ROLL FRAME MID RH	1	
14	P12587	SCRAPER STEM STR DD	7	
15	P13292	REAR ROLL PIN	1	
16				
17				
18				
19				
20				
21				
22				
23				
24				
25				
26				
27				
28				
29				
30				
31				
32				
33				
34				
35				
36				
37				
38				
39				
40				
41				
42				
43				
44				
45				
46				
47				
48				
49				
50				




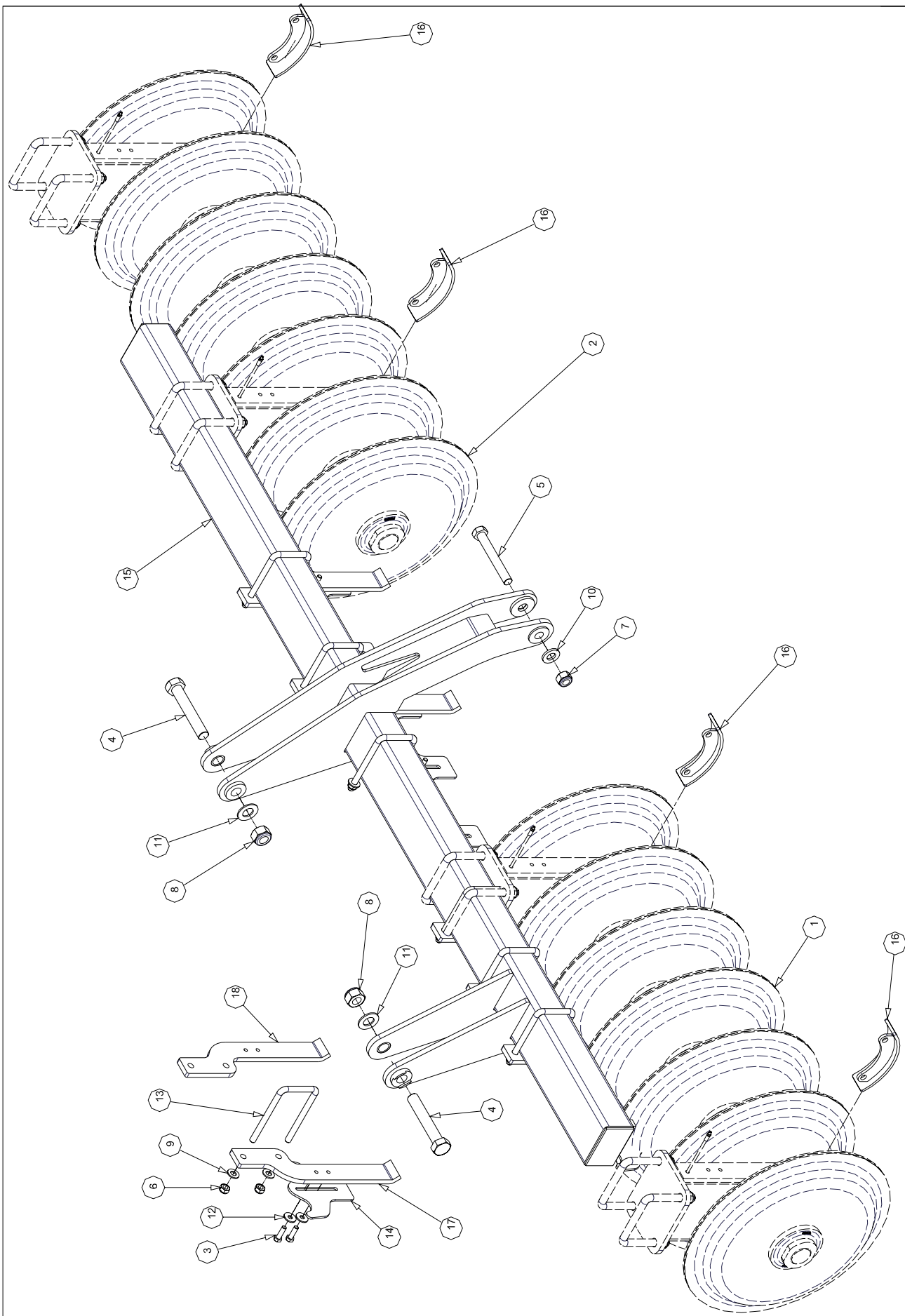
DESCRIPTION: SOLO 450 700 DD LH REAR ROLL	MACHINE: SOLO 450	SIMBA © 2005	DRAWN: CAR DATE: 27/04/2005	PART NO. 11447	FROM SERIAL NO. TO SERIAL NO. 11447	ASSEMBLY AS1732	ISSUE A
--	----------------------	--------------	--------------------------------	-------------------	--	--------------------	------------

AS1732A		SOLO 450 700 DD LH REAR ROLL		
ITEM	PART NO	DESCRIPTION	QTY	COMMENTS
1	AS0793	DD700 - LONG SCRAPER ASSEMBLY	8	
2	AS0948	CENTRE SCRAPER ASSEMBLY RH	1	
3	AS1731	700 DD 11 RING ASSEMBLY	1	
4	P00036	BOLT M30x180 GR. 8.8	2	
5	P02011	NUT LOCK M30	2	
6	P02484	LYNCH PIN CAT 2	1	
7	P02608	WASHER FLAT M30	2	
8	P07545	PLASTIC END CAP 60x60	2	
9	P08331	1" DIA TABLE 3 LIGHT	1	
10	P12658	ROLL FRAME LH SOLO 450	1	
11	P13292	REAR ROLL PIN	1	
12				
13				
14				
15				
16				
17				
18				
19				
20				
21				
22				
23				
24				
25				
26				
27				
28				
29				
30				
31				
32				
33				
34				
35				
36				
37				
38				
39				
40				
41				
42				
43				
44				
45				
46				
47				
48				
49				
50				




DESCRIPTION: SOLO 450 700 DD RH REAR ROLL	MACHINE:-	© 2005	DRAWN:- CAR DATE:- 28/04/2005	PART NO. 11447	FROM SERIAL NO. 11447	TO SERIAL NO.	ASSEMBLY AS1733	ISSUE A
--	-----------	--------	----------------------------------	----------------	-----------------------	---------------	--------------------	------------

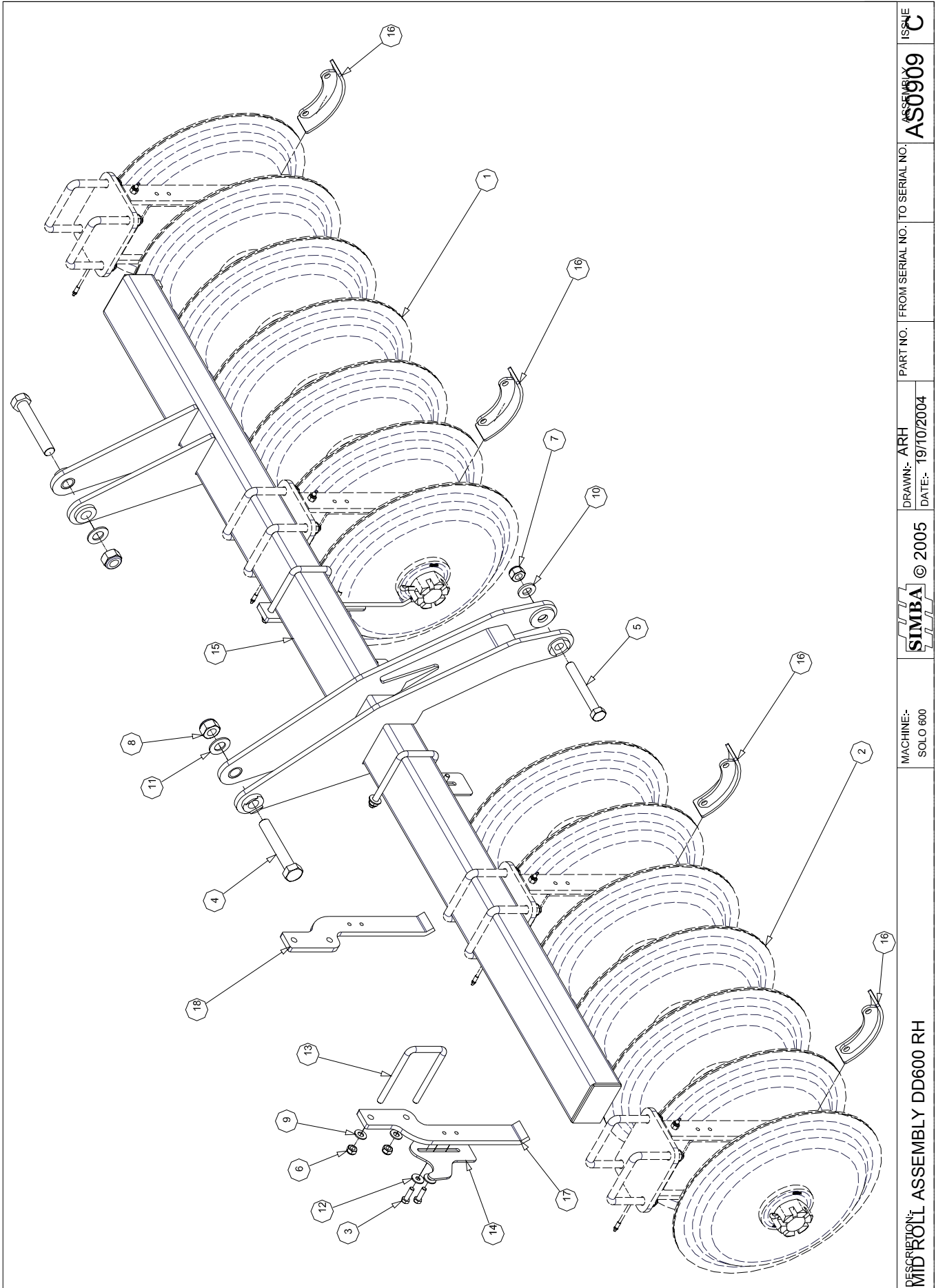
AS1733A		SOLO 450 700 DD RH REAR ROLL		
ITEM	PART NO	DESCRIPTION	QTY	COMMENTS
1	AS0792	DD700 - CENTRE SCRAPER ASSEMBLY	1	
2	AS0793	DD700 - LONG SCRAPER ASSEMBLY	8	
3	AS1731	700 DD 11 RING ASSEMBLY	1	
4	P00036	BOLT M30x180 GR. 8.8	2	
5	P02011	NUT LOCK M30	2	
6	P02484	LYNCH PIN CAT 2	1	
7	P02608	WASHER FLAT M30	2	
8	P07545	PLASTIC END CAP 60x60	2	
9	P08331	1" DIA TABLE 3 LIGHT	1	
10	P12670	R-ROLL FRAME 450 RH	1	
11	P13292	REAR ROLL PIN	1	
12				
13				
14				
15				
16				
17				
18				
19				
20				
21				
22				
23				
24				
25				
26				
27				
28				
29				
30				
31				
32				
33				
34				
35				
36				
37				
38				
39				
40				
41				
42				
43				
44				
45				
46				
47				
48				
49				
50				



MACHINE:- SOLO 600	SIMBA © 2005	DRAWN:- ARH	PART NO.	FROM SERIAL NO. TO SERIAL NO.	ASSEMBLY NO. AS0910	ISSUE C
		DATE:- 19/10/2004				
DESCRIPTION: MID ROLL ASSEMBLY DD600 LH						




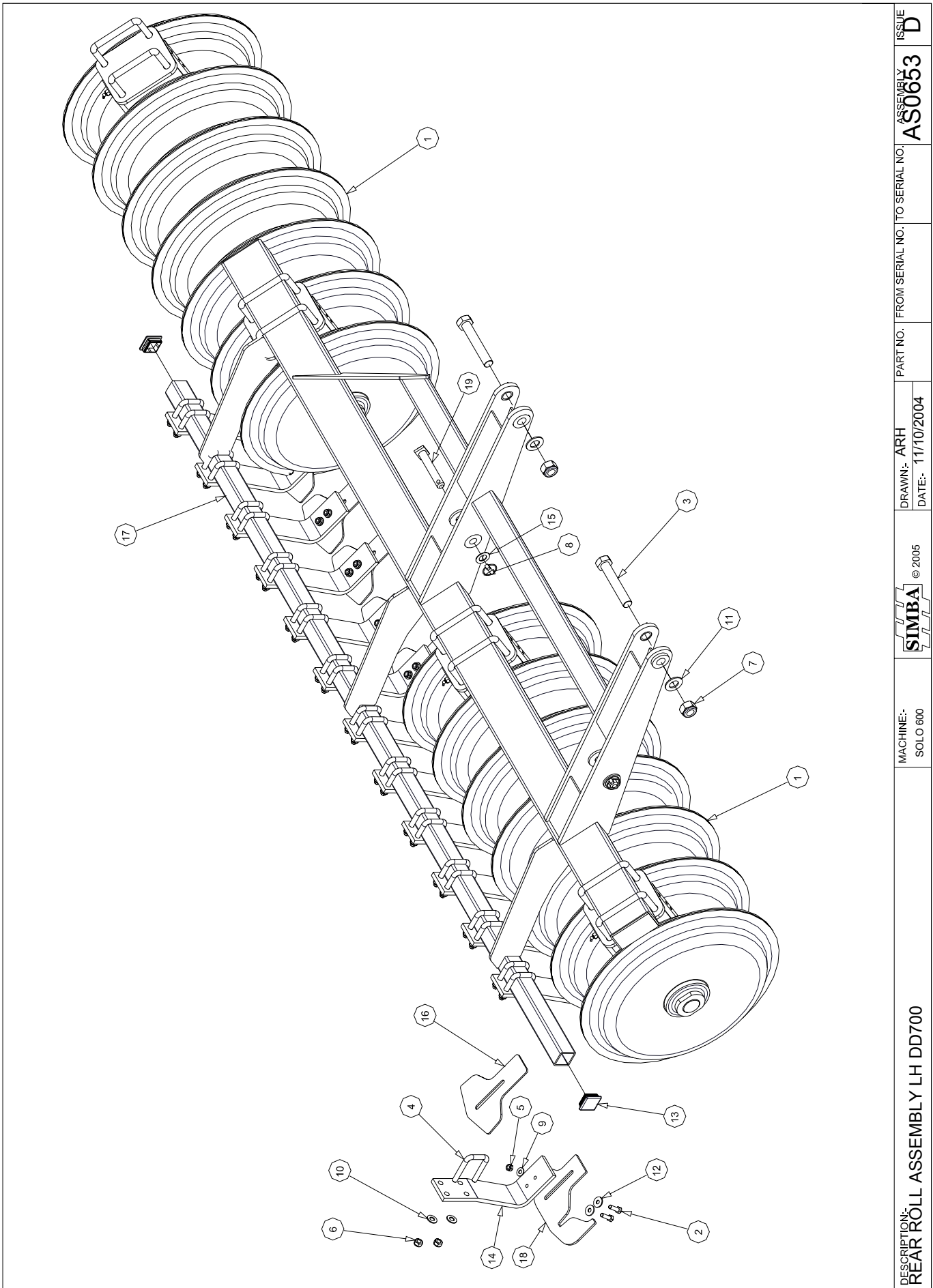
AS0910		MID ROLL ASSEMBLY DD600 LH SOLO 600		
ITEM	PART NO	DESCRIPTION	QTY	COMMENTS
1	AS0642	AXLE ASSEMBLY - DD600 7 RINGS	1	
2	AS2652	AXLE ASSEMBLY - DD600 7 RINGS	1	
3	P00003	BOLT M12x40 GR. 8.8	26	
4	P00036	BOLT M30x180 GR. 8.8	2	
5	P00789	BOLT M24x180 GR. 8.8	1	
6	P02008	NUT LOCK M16	18	
7	P02010	NUT LOCK M24	1	
8	P02011	NUT LOCK M30	2	
9	P02602	WASHER FLAT M16	18	
10	P02604	WASHER FLAT M24 Ø50	1	
11	P02608	WASHER FLAT M30	2	
12	P04179	WASHER FLAT M12 Ø38	26	
13	P06802	BOLT U M16 GR8.8 190x117	9	
14	P08607	SCRAPER PLATE DD RING SHORT	13	
15	P09088	ROLL FRAME MID LH	1	
16	P09160	PILLAR TRASH PLATE	4	
17	P09559	SCRAPER STEM RH	5	
18	P09560	SCRAPER STEM LH	4	
19				
20				
21				
22				
23				
24				
25				
26				
27				
28				
29				
30				
31				
32				
33				
34				
35				
36				
37				
38				
39				
40				
41				
42				
43				
44				
45				
46				
47				
48				
49				
50				



ISSUE	ASSEMBLY	PART NO.	FROM SERIAL NO. TO SERIAL NO.	DRAWN:- ARH DATE:- 19/7/2004	SIMBA © 2005	MACHINE:- SOLO 600	DESCRIPTION MID ROLL ASSEMBLY DD600 RH
C	AS0909						



AS0909		MID ROLL ASSEMBLY DD600 RH SOLO 600		
ITEM	PART NO	DESCRIPTION	QTY	COMMENTS
1	AS0642	AXLE ASSEMBLY - DD600 7 RINGS	1	
2	AS2652	AXLE ASSEMBLY - DD600 7 RINGS	1	
3	P00003	BOLT M12x40 GR. 8.8	26	
4	P00036	BOLT M30x180 GR. 8.8	2	
5	P00789	BOLT M24x180 GR. 8.8	1	
6	P02008	NUT LOCK M16	18	
7	P02010	NUT LOCK M24	1	
8	P02011	NUT LOCK M30	2	
9	P02602	WASHER FLAT M16	18	
10	P02604	WASHER FLAT M24 Ø50	1	
11	P02608	WASHER FLAT M30	2	
12	P04179	WASHER FLAT M12 Ø38	26	
13	P06802	BOLT U M16 GR8.8 190x117	9	
14	P08607	SCRAPER PLATE DD RING SHORT	13	
15	P09087	ROLL FRAME MID RH	1	
16	P09160	PILLAR TRASH PLATE	4	
17	P09559	SCRAPER STEM RH	4	
18	P09560	SCRAPER STEM LH	5	
19				
20				
21				
22				
23				
24				
25				
26				
27				
28				
29				
30				
31				
32				
33				
34				
35				
36				
37				
38				
39				
40				
41				
42				
43				
44				
45				
46				
47				
48				
49				
50				



DESCRIPTION:
REAR ROLL ASSEMBLY LH DD700

MACHINE:-
SOLO 600

SIMBA © 2005


DRAWN:- ARH
DATE:- 11/10/2004

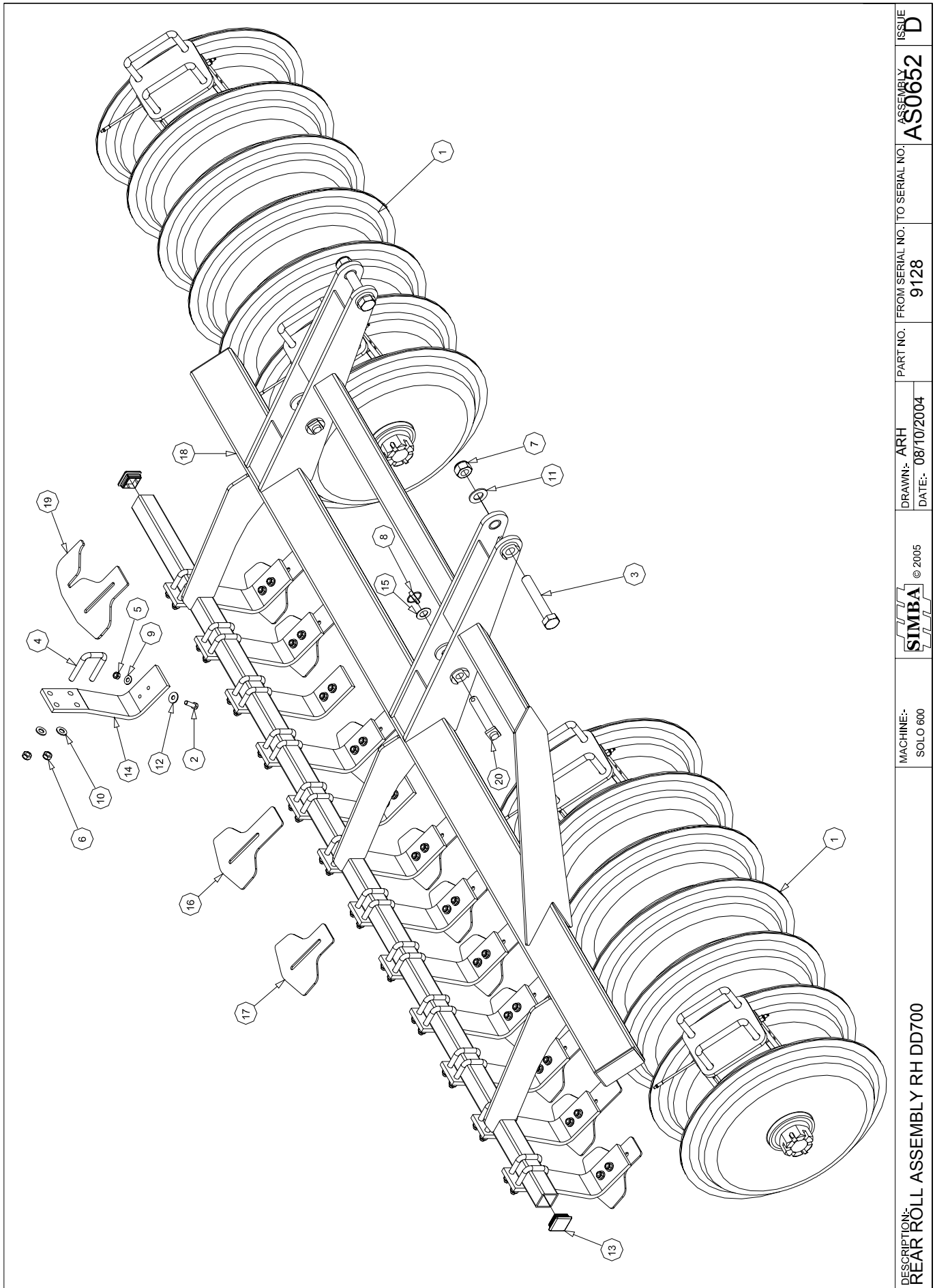
PART NO. FROM SERIAL NO. TO SERIAL NO.

ASSEMBLY
AS0653


ISSUE
D

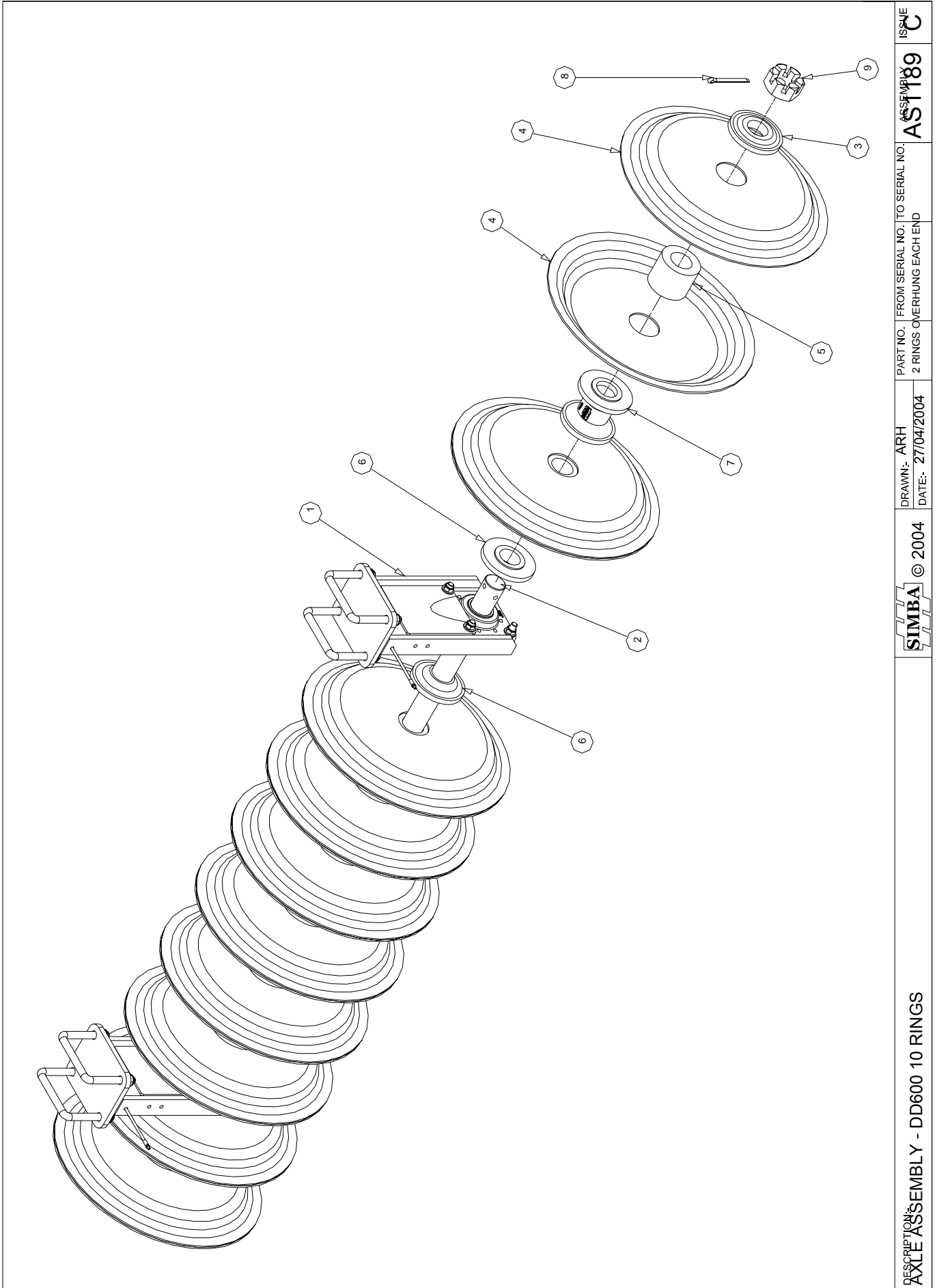


AS0653		DD700 ROLL UNIT ASSEMBLY LH SOLO 600		
ITEM	PART NO	DESCRIPTION	QTY	COMMENTS
1	AS0643	AXLE ASSEMBLY - DD700 7 RINGS	2	
2	P00003	BOLT M12x40 GR. 8.8	26	
3	P00036	BOLT M30x180 GR. 8.8	2	
4	P01613	BOLT U M16 GR8.8 100x78	26	
5	P02007	NUT LOCK M12	26	
6	P02008	NUT LOCK M16	52	
7	P02011	NUT LOCK M30	2	
8	P02484	LYNCH PIN CAT 2	2	
9	P02601	WASHER FLAT M12	26	
10	P02602	WASHER FLAT M16	52	
11	P02608	WASHER FLAT M30	2	
12	P04179	WASHER FLAT M12 Ø38	26	
13	P07545	PLASTIC END CAP 60x60	2	
14	P07736	SCRAPER STEM	13	
15	P08331	1" DIA TABLE 3 LIGHT	2	
16	P08601	SCRAPER PLATE DD RING LONG	12	
17	P09043	ROLL FRAME REAR LH	1	
18	P10029	SCRAPER 1 1/2	1	
19	P13292	REAR ROLL PIN	2	
20				
21				
22				
23				
24				
25				
26				
27				
28				
29				
30				
31				
32				
33				
34				
35				
36				
37				
38				
39				
40				
41				
42				
43				
44				
45				
46				
47				
48				
49				
50				



DESCRIPTION: REAR ROLL ASSEMBLY RH DD700	MACHINE: SOLO 600	© 2005	DRAWN:- ARH DATE:- 08/10/2004	PART NO. 9128	FROM SERIAL NO. TO SERIAL NO. 9128	ASSEMBLY AS0652	ISSUE D
--	----------------------	--------	----------------------------------	------------------	---------------------------------------	---------------------------	-------------------

AS0652D		DD700 ROLL UNIT ASSEMBLY RH SOLO 600		
ITEM	PART NO	DESCRIPTION	QTY	COMMENTS
1	AS0643	AXLE ASSEMBLY - DD700 7 RINGS	2	
2	P00003	BOLT M12x40 GR. 8.8	26	
3	P00036	BOLT M30x180 GR. 8.8	2	
4	P01613	BOLT U M16 GR8.8 100x78	26	
5	P02007	NUT LOCK M12	26	
6	P02008	NUT LOCK M16	52	
7	P02011	NUT LOCK M30	2	
8	P02484	LYNCH PIN CAT 2	2	
9	P02601	WASHER FLAT M12	26	
10	P02602	WASHER FLAT M16	52	
11	P02608	WASHER FLAT M30	2	
12	P04179	WASHER FLAT M12 Ø38	26	
13	P07545	PLASTIC END CAP 60x60	2	
14	P07736	SCRAPER STEM	13	
15	P08331	1" DIA TABLE 3 LIGHT	2	
16	P08601	SCRAPER PLATE DD RING LONG	9	
17	P08607	SCRAPER PLATE DD RING SHORT	3	
18	P09044	ROLL FRAME REAR RH	1	
19	P10029	SCRAPER 1 1/2	1	
20	P13292	REAR ROLL PIN	2	
21				
22				
23				
24				
25				
26				
27				
28				
29				
30				
31				
32				
33				
34				
35				
36				
37				
38				
39				
40				
41				
42				
43				
44				
45				
46				
47				
48				
49				
50				



DESCRIPTION:
AXLE ASSEMBLY - DD600 10 RINGS


SIMBA © 2004

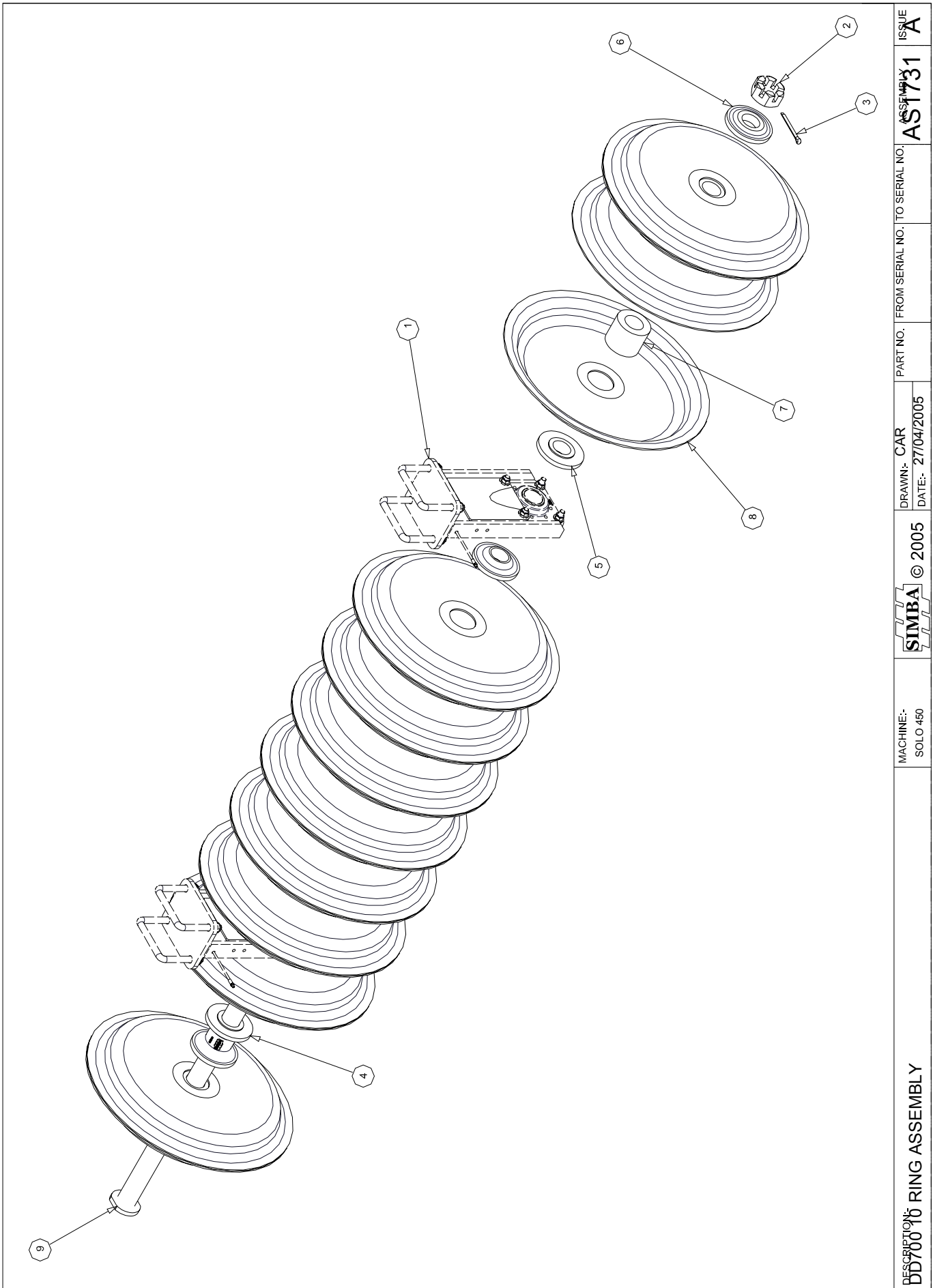
DRAWN:- ARH
DATE:- 27/04/2004

PART NO. FROM SERIAL NO. TO SERIAL NO.
2 RINGS OVERHUNG EACH END


ASSEMBLY NO.
AST189

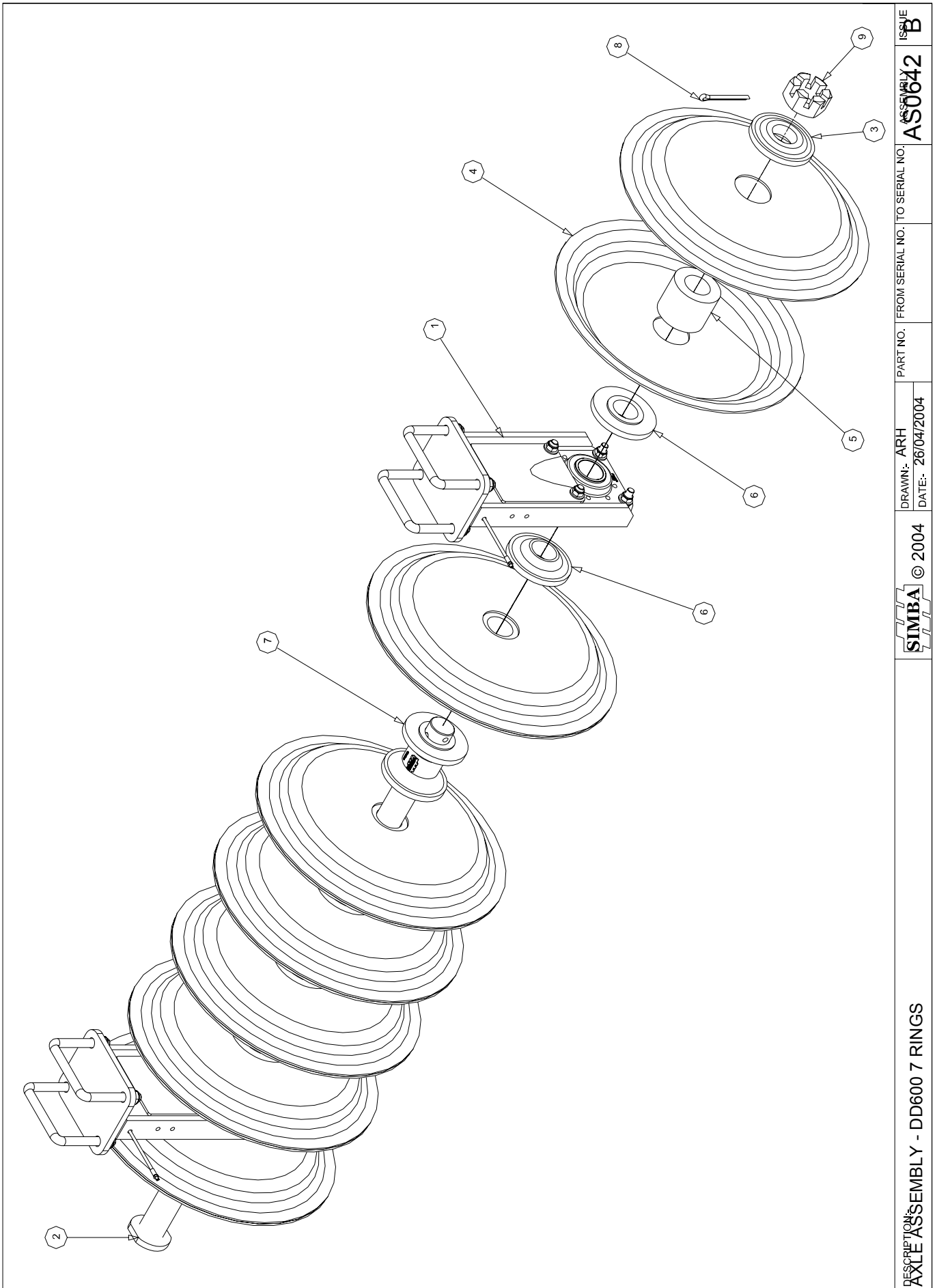
ISSUE
C

AS1189		AXLE ASSEMBLY DD600 10 RINGS - 2 OVERHUNG		
ITEM	PART NO	DESCRIPTION	QTY	COMMENTS
1	AS0658	PILLAR ASSEMBLY DD600	2	
2	P10349	AXLE Ø60x2325	1	
3	P08190	DD 600 - NUT SPOOL	2	
4	P08192	DD 600 RING	20	
5	P08191	DD 600 - INTERNAL SPACER	10	
6	P08189	DD 600 - BEARING SPOOL	4	
7	P08188	DD 600 - SPOOL	7	
8	P02489	PIN SPLIT Ø10x100	1	
9	P01698	NUT CASTLE M60	1	
10				
11				
12				
13				
14				
15				
16				
17				
18				
19				
20				
21				
22				
23				
24				
25				
26				
27				
28				
29				
30				
31				
32				
33				
34				
35				
36				
37				
38				
39				
40				
41				
42				
43				
44				
45				
46				
47				
48				
49				
50				




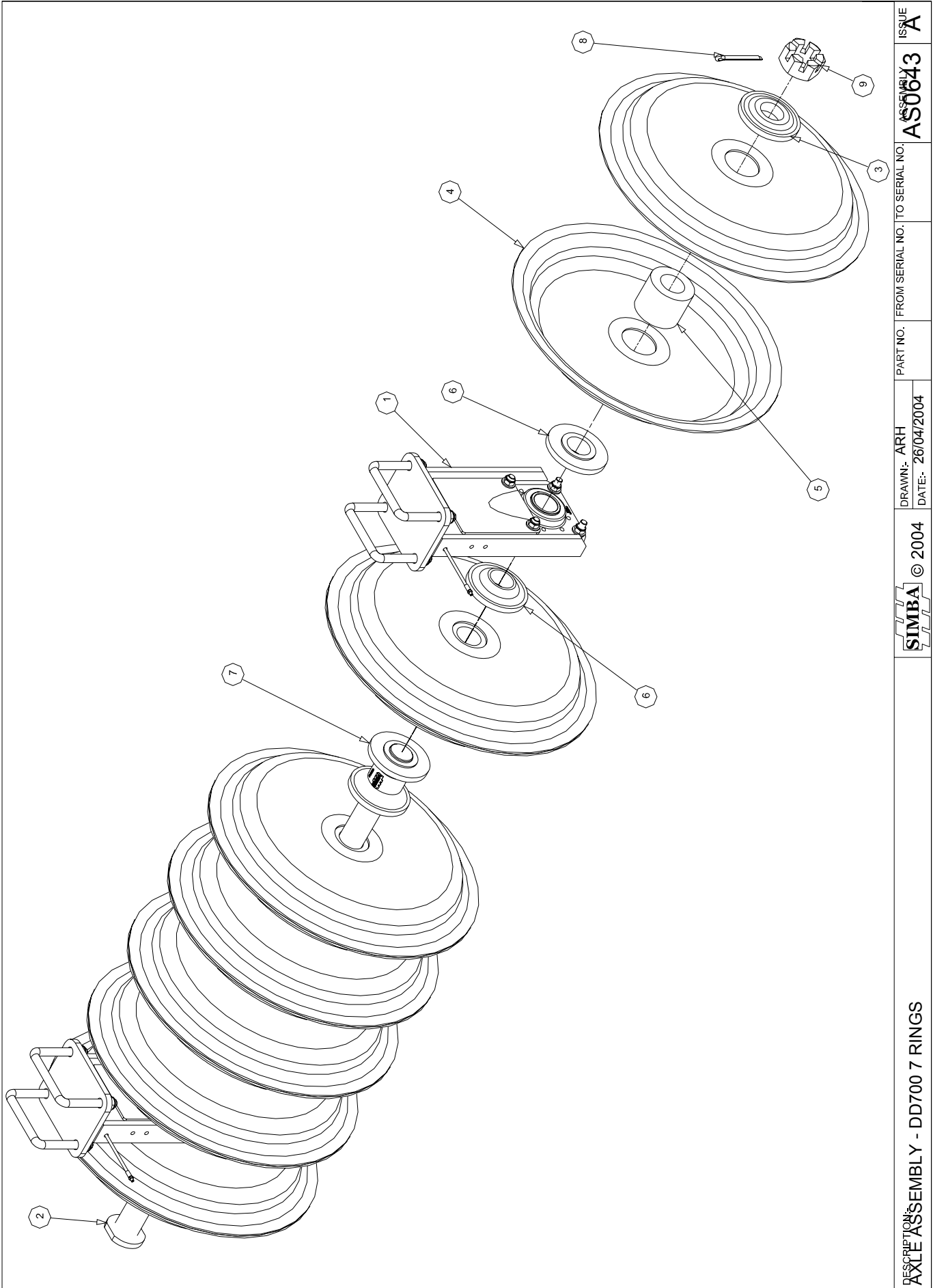
DESCRIPTION: DD700 10 RING ASSEMBLY	MACHINE:- SOLO 450	SIMBA © 2005	DRAWN:- CAR DATE:- 27/04/2005	PART NO.	FROM SERIAL NO. TO SERIAL NO.	ASSEMBLY AST731	ISSUE A
---	-----------------------	---------------------	----------------------------------	----------	---------------------------------	---------------------------	-------------------

AS1731		DD700 10 RING ASSEMBLY		
ITEM	PART NO	DESCRIPTION	QTY	COMMENTS
1	AS0658	PILLAR ASSEMBLY DD600	2	
2	P01698	NUT CASTLE M60	1	
3	P02489	PIN SPLIT Ø10x100	1	
4	P08188	DD 600 - SPOOL	7	
5	P08189	DD 600 - BEARING SPOOL	4	
6	P08190	DD 600 - NUT SPOOL	2	
7	P08191	DD 600 - INTERNAL SPACER	10	
8	P08994	DD RING Ø700	20	
9	P10349	AXLE Ø60x2325	1	
10				
11				
12				
13				
14				
15				
16				
17				
18				
19				
20				
21				
22				
23				
24				
25				
26				
27				
28				
29				
30				
31				
32				
33				
34				
35				
36				
37				
38				
39				
40				
41				
42				
43				
44				
45				
46				
47				
48				
49				
50				



DESCRIPTION: AXLE ASSEMBLY - DD600 7 RINGS
 DRAWN: ARH
 DATE: 26/04/2004
 PART NO. FROM SERIAL NO. TO SERIAL NO.
 ASSEMBLY NO. AS0642
 ISSUE B
 SIMBA © 2004

AS0642		AXLE ASSEMBLY DD600 7 RINGS		
ITEM	PART NO	DESCRIPTION	QTY	COMMENTS
1	AS0658	PILLAR ASSEMBLY DD600	2	
2	P07729	AXLE Ø60x1623	1	
3	P08190	DD 600 - NUT SPOOL	2	
4	P08192	DD 600 RING	14	
5	P08191	DD 600 - INTERNAL SPACER	7	
6	P08189	DD 600 - BEARING SPOOL	4	
7	P08188	DD 600 - SPOOL	4	
8	P02489	PIN SPLIT Ø10x100	1	
9	P01698	NUT CASTLE M60	1	
10				
11				
12				
13				
14				
15				
16				
17				
18				
19				
20				
21				
22				
23				
24				
25				
26				
27				
28				
29				
30				
31				
32				
33				
34				
35				
36				
37				
38				
39				
40				
41				
42				
43				
44				
45				
46				
47				
48				
49				
50				



DESCRIPTION: AXLE ASSEMBLY - DD700 7 RINGS


SIMBA © 2004

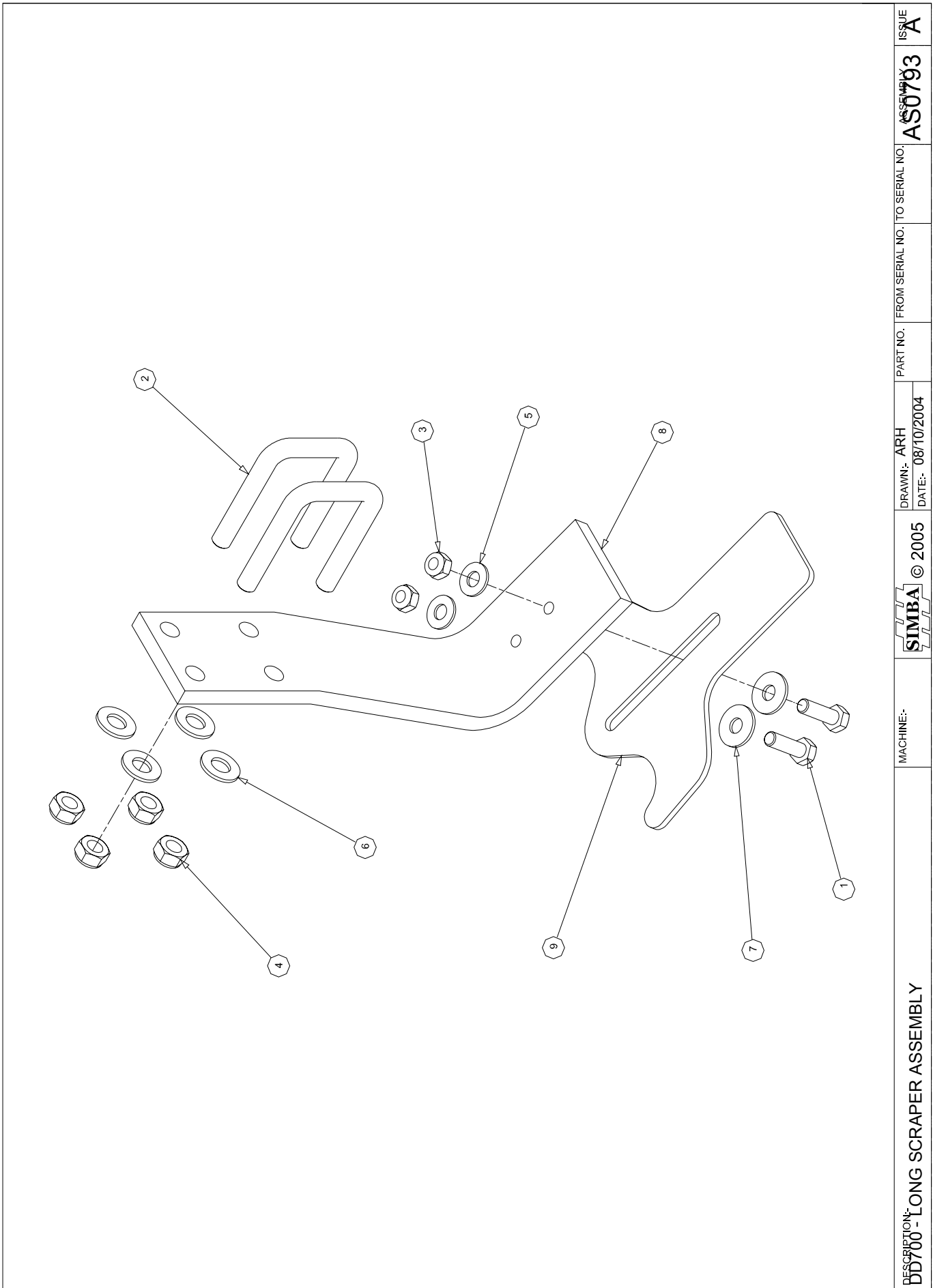
DRAWN: ARH
DATE: 26/04/2004

PART NO. FROM SERIAL NO. TO SERIAL NO.

ASSEMBLY AS0643

ISSUE A

AS0643		AXLE ASSEMBLY DD700 7 RINGS		
ITEM	PART NO	DESCRIPTION	QTY	COMMENTS
1	AS0658	PILLAR ASSEMBLY DD600	2	
2	P07729	AXLE Ø60x1623	1	
3	P08190	DD 600 - NUT SPOOL	2	
4	P08994	DD RING Ø700	14	
5	P08191	DD 600 - INTERNAL SPACER	7	
6	P08189	DD 600 - BEARING SPOOL	4	
7	P08188	DD 600 - SPOOL	4	
8	P02489	PIN SPLIT Ø10x100	1	
9	P01698	NUT CASTLE M60	1	
10				
11				
12				
13				
14				
15				
16				
17				
18				
19				
20				
21				
22				
23				
24				
25				
26				
27				
28				
29				
30				
31				
32				
33				
34				
35				
36				
37				
38				
39				
40				
41				
42				
43				
44				
45				
46				
47				
48				
49				
50				



DESCRIPTION: DD700 - LONG SCRAPER ASSEMBLY

MACHINE:-



© 2005


DRAWN:- ARH
DATE:- 08/10/2004

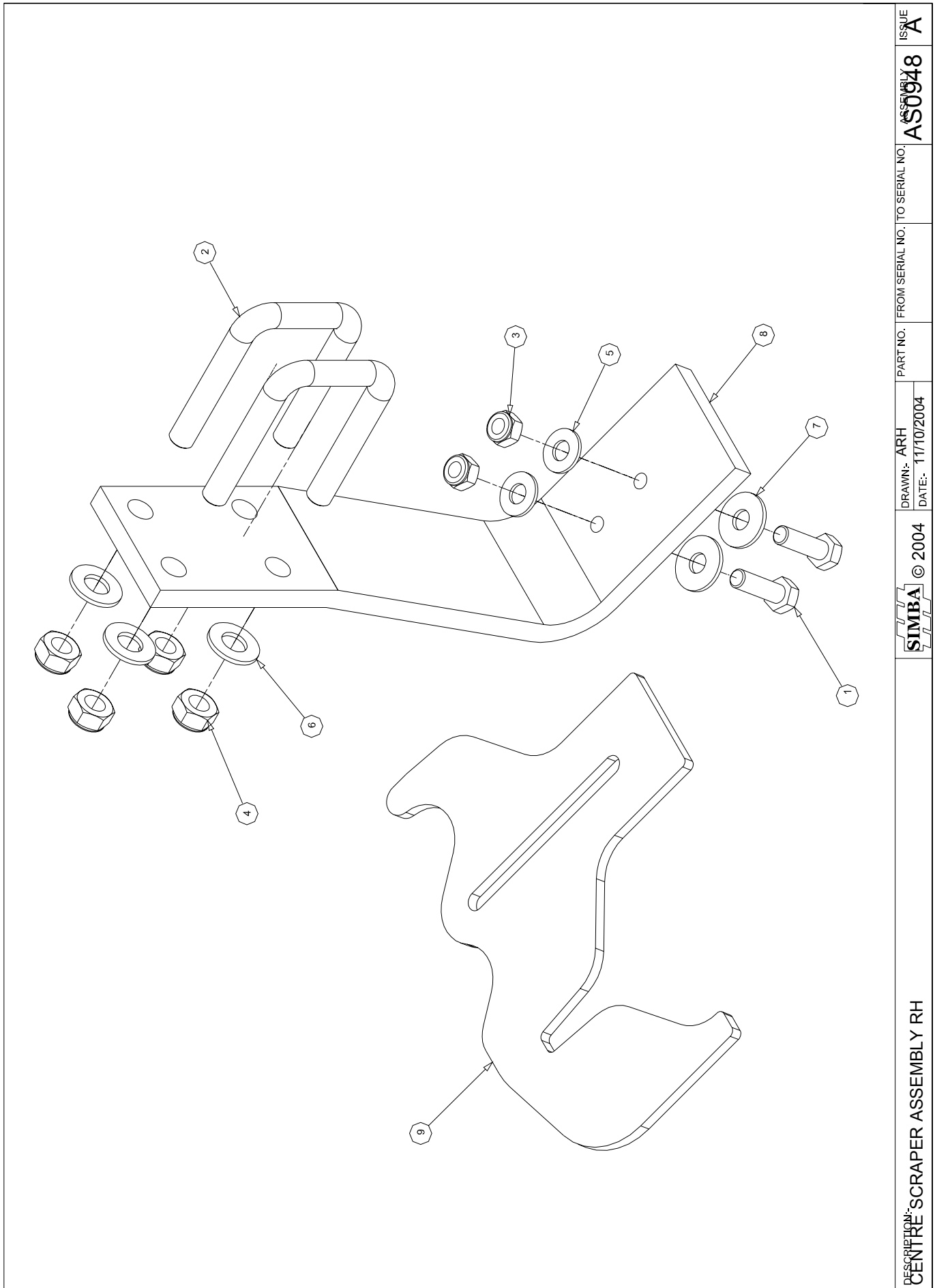
PART NO.

FROM SERIAL NO. TO SERIAL NO.

ASSEMBLY
AS0793

ISSUE
A

AS0793A		DD700 - LONG SCRAPER ASSEMBLY		
ITEM	PART NO	DESCRIPTION	QTY	COMMENTS
1	P00003	BOLT M12x40 GR. 8.8	2	
2	P01613	BOLT U M16 GR8.8 100x78	2	
3	P02007	NUT LOCK M12	2	
4	P02008	NUT LOCK M16	4	
5	P02601	WASHER FLAT M12	2	
6	P02602	WASHER FLAT M16	4	
7	P04179	WASHER FLAT M12 Ø38	2	
8	P07736	SCRAPER STEM	1	
9	P08601	SCRAPER PLATE DD RING LONG	1	
10				
11				
12				
13				
14				
15				
16				
17				
18				
19				
20				
21				
22				
23				
24				
25				
26				
27				
28				
29				
30				
31				
32				
33				
34				
35				
36				
37				
38				
39				
40				
41				
42				
43				
44				
45				
46				
47				
48				
49				
50				



DESCRIPTION: CENTRE SCRAPER ASSEMBLY RH


SIMBA © 2004

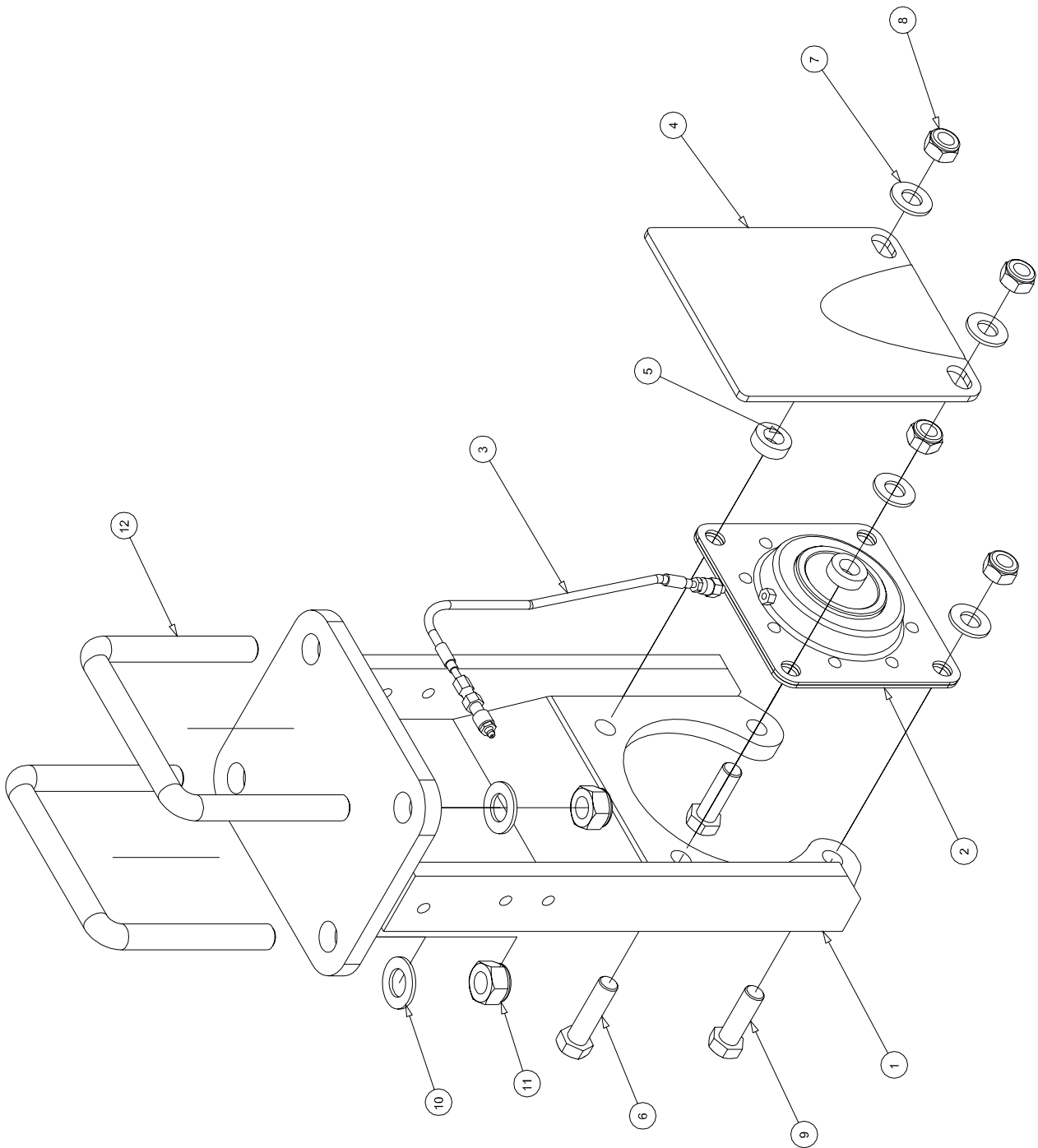
DRAWN: ARH
DATE: 11/10/2004

PART NO. FROM SERIAL NO. TO SERIAL NO.

ASSEMBLY
AS0948

ISSUE
A

AS0948		SCRAPER ASSEMBLY DD700		
ITEM	PART NO	DESCRIPTION	QTY	COMMENTS
1	P00003	BOLT M12x40 GR. 8.8	2	
2	P01613	BOLT U M16 GR8.8 100x78	2	
3	P02007	NUT LOCK M12	2	
4	P02008	NUT LOCK M16	4	
5	P02601	WASHER FLAT M12	2	
6	P02602	WASHER FLAT M16	4	
7	P04179	WASHER FLAT M12 Ø38	2	
8	P07736	SCRAPER STEM	1	
9	P10029	SCRAPER 1 1/2	1	
10				
11				
12				
13				
14				
15				
16				
17				
18				
19				
20				
21				
22				
23				
24				
25				
26				
27				
28				
29				
30				
31				
32				
33				
34				
35				
36				
37				
38				
39				
40				
41				
42				
43				
44				
45				
46				
47				
48				
49				
50				



DESCRIPTION:-
PILLAR ASSEMBLY DD600

SIMBA © 2004

DRAWN:- ARH
DATE:- 23/04/2004


PART NO.

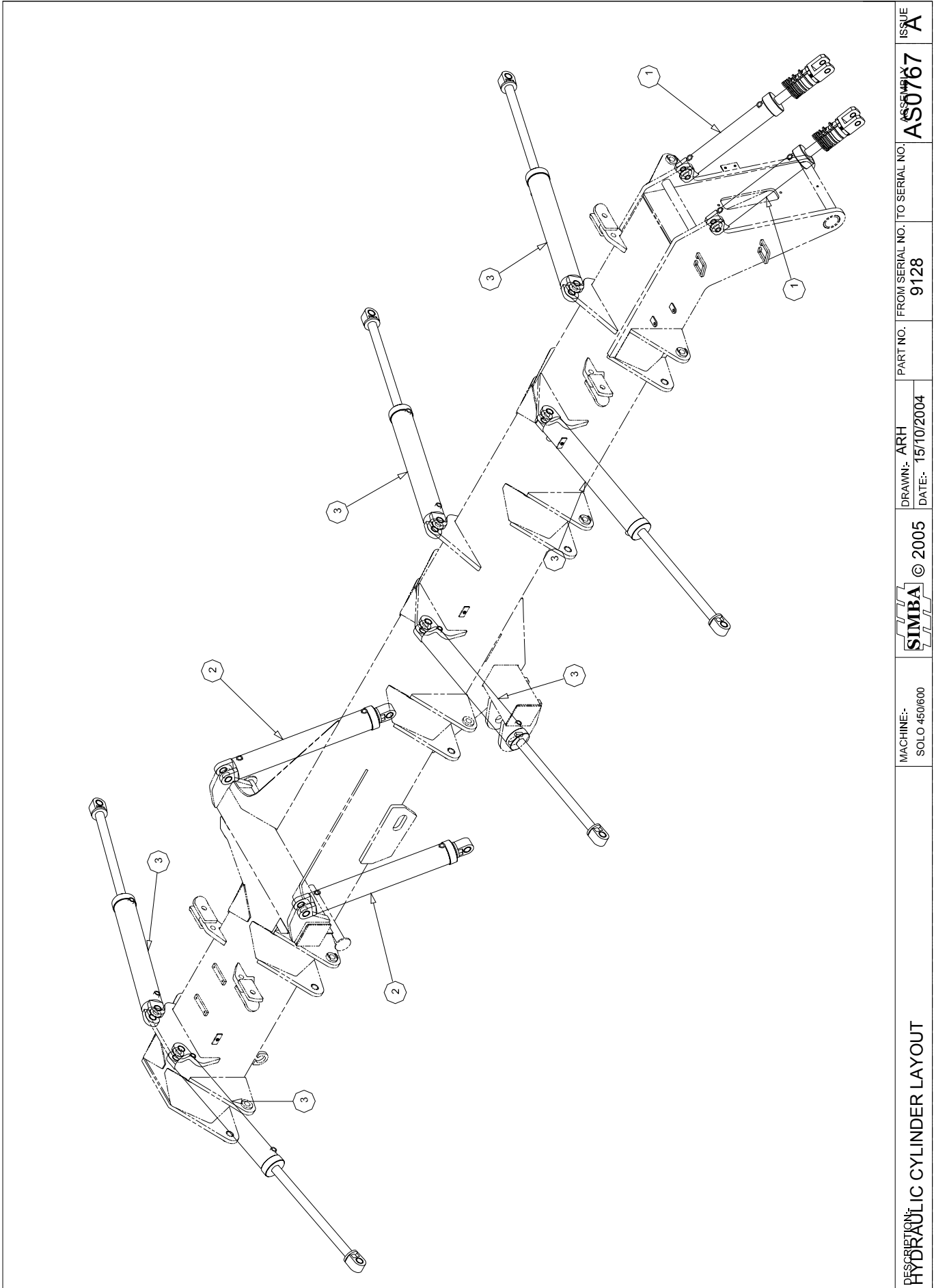
FROM SERIAL NO.

TO SERIAL NO.


ASSEMBLY
AS0658

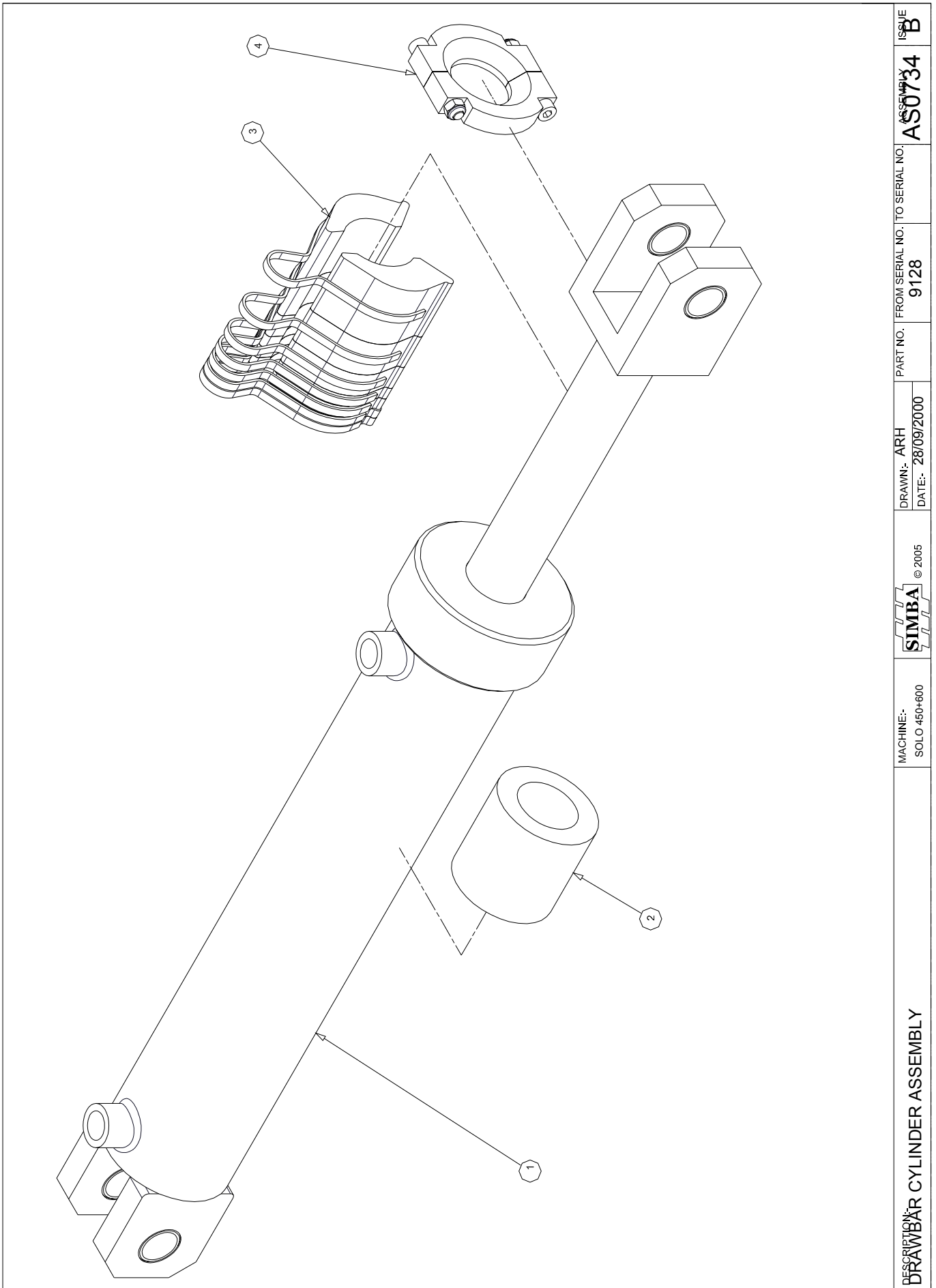
ISSUE
C

AS0658		PILLAR ASSEMBLY DD600 + 700		
ITEM	PART NO	DESCRIPTION	QTY	COMMENTS
1	P07696	PRESS ROLL PILLAR	1	
2	P05431	BEARING - PRESSED STEEL	1	
3	P08276	GREASE PIPE	1	
4	P08450	BEARING GUARD	1	
5	P08298	SPACER 10mm	2	
6	P00057	BOLT M16x60 GR. 8.8	2	
7	P02602	WASHER FLAT M16	4	
8	P02008	NUT LOCK M16	4	
9	P01704	BOLT M16x50 GR. 8.8	2	
10	P02603	WASHER FLAT M20	4	
11	P02009	NUT LOCK M20	4	
12	P01619	BOLT U M20 GR8.8 145x172	2	
13				
14				
15				
16				
17				
18				
19				
20				
21				
22				
23				
24				
25				
26				
27				
28				
29				
30				
31				
32				
33				
34				
35				
36				
37				
38				
39				
40				
41				
42				
43				
44				
45				
46				
47				
48				
49				
50				



DESCRIPTION: HYDRAULIC CYLINDER LAYOUT	MACHINE:- SOLO 450/600	© 2005	DRAWN:- ARH DATE:- 15/10/2004	PART NO.	FROM SERIAL NO. TO SERIAL NO. 9128	ASSEMBLY AS0767	ISSUE A
--	---------------------------	--------	----------------------------------	----------	---------------------------------------	---------------------------	-------------------

AS0767		HYDRAULIC CYLINDER DETAILS		
ITEM	PART NO	DESCRIPTION	QTY	COMMENTS
1	AS0734	DRAWBAR CYLINDER ASSEMBLY	2	
2	AS0766	SOLO 450+600 - LIFT AXLE CYLINDER AS:2		
3	P04096	CYLINDER - Ø100x637 - 45	6	
4				
5				
6				
7				
8				
9				
10				
11				
12				
13				
14				
15				
16				
17				
18				
19				
20				
21				
22				
23				
24				
25				
26				
27				
28				
29				
30				
31				
32				
33				
34				
35				
36				
37				
38				
39				
40				
41				
42				
43				
44				
45				
46				
47				
48				
49				
50				



DESCRIPTION:
DRAWBAR CYLINDER ASSEMBLY

MACHINE:-
SOLO 450+600


© 2005

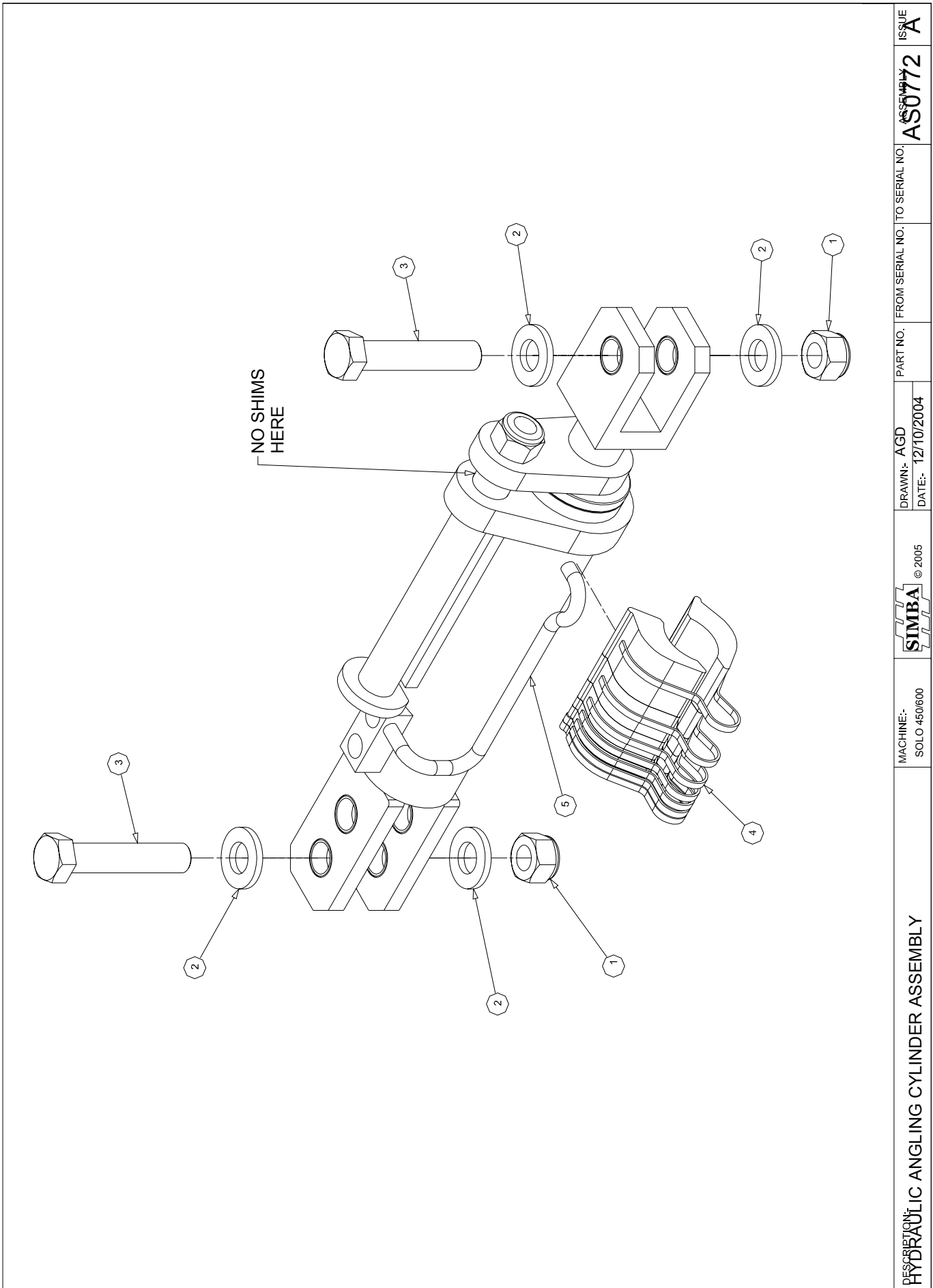
DRAWN:- ARH
DATE:- 28/09/2000

PART NO. FROM SERIAL NO. TO SERIAL NO.
9128

ASSEMBLY
AS0734

ISSUE
B

AS0734		DRAWBAR CYLINDER ASSEMBLY		
ITEM	PART NO	DESCRIPTION	QTY	COMMENTS
1	P03008	CYLINDER - Ø85x400 - 45	1	
2	P04123	CYLINDER RESTRICTOR 75mm	1	
3	P08802	SHIM KIT 7 PIECE	1	
4	P08833	SHIM COLLAR Ø45	1	
5				
6				
7				
8				
9				
10				
11				
12				
13				
14				
15				
16				
17				
18				
19				
20				
21				
22				
23				
24				
25				
26				
27				
28				
29				
30				
31				
32				
33				
34				
35				
36				
37				
38				
39				
40				
41				
42				
43				
44				
45				
46				
47				
48				
49				
50				



DESCRIPTION:
HYDRAULIC ANGLING CYLINDER ASSEMBLY

MACHINE:-
SOLO 450/600

© 2005


DRAWN:- AGD
DATE:- 12/10/2004

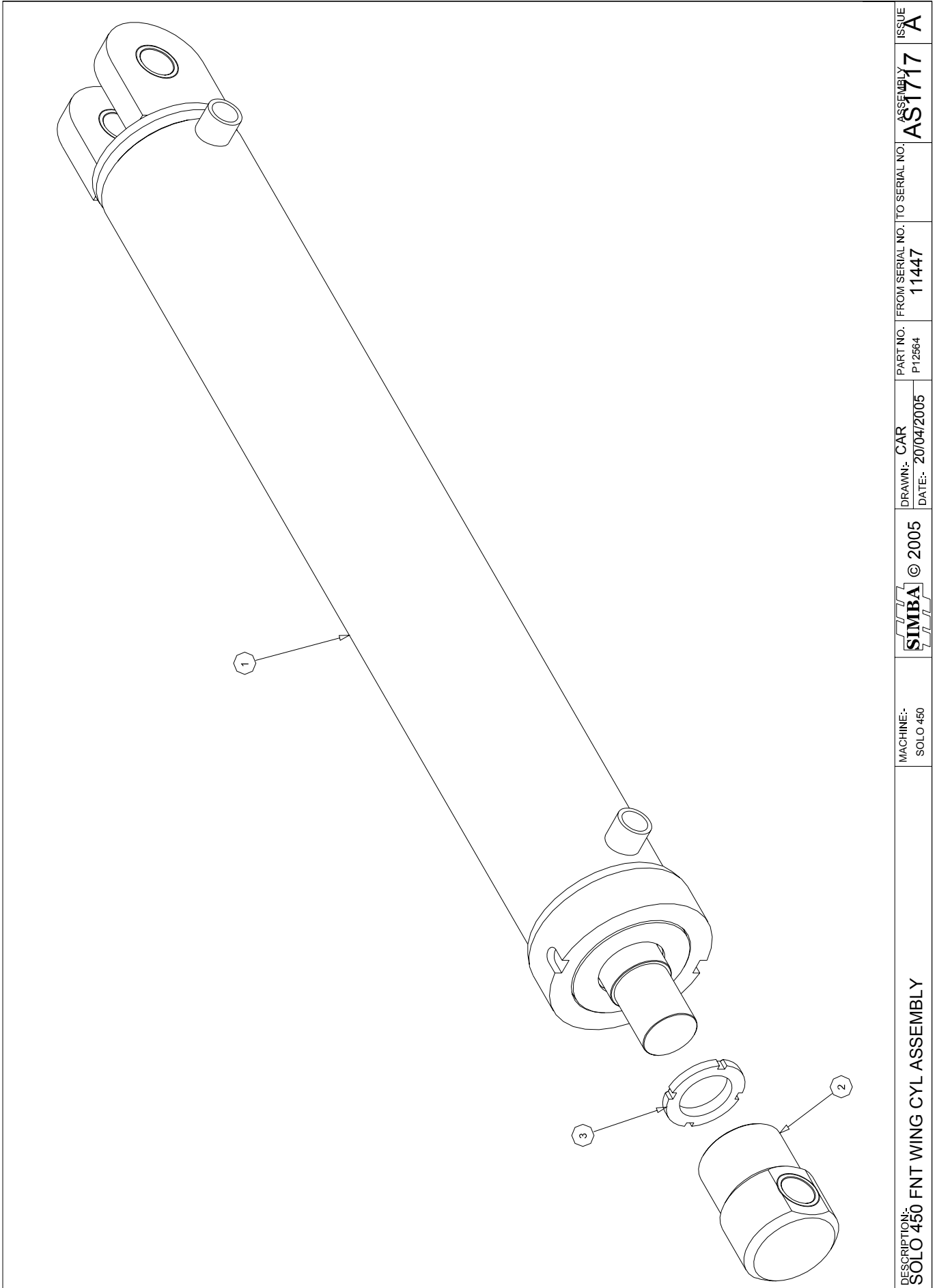
PART NO. | FROM SERIAL NO. | TO SERIAL NO.

ASSEMBLY
AS0772

ISSUE
A



AS0772		ANG ANGLING CYLINDER ASSEMBLY SOLO 450+600		
ITEM	PART NO	DESCRIPTION	QTY	COMMENTS
1	P02010	NUT LOCK M24	2	
2	P02604	WASHER FLAT M24 Ø50	4	
3	P03117	BOLT M24x120 GR. 8.8	2	
4	P08802	SHIM KIT 7 PIECE	1	
5	P09436	CYLINDER - Ø75x200 - 45	1	
6				
7				
8				
9				
10				
11				
12				
13				
14				
15				
16				
17				
18				
19				
20				
21				
22				
23				
24				
25				
26				
27				
28				
29				
30				
31				
32				
33				
34				
35				
36				
37				
38				
39				
40				
41				
42				
43				
44				
45				
46				
47				
48				
49				
50				



DESCRIPTION:
SOLO 450 FNT WING CYL ASSEMBLY

MACHINE:-
SOLO 450

© 2005

DRAWN:- CAR
DATE:- 20/04/2005

PART NO.
P12564


FROM SERIAL NO.
11447

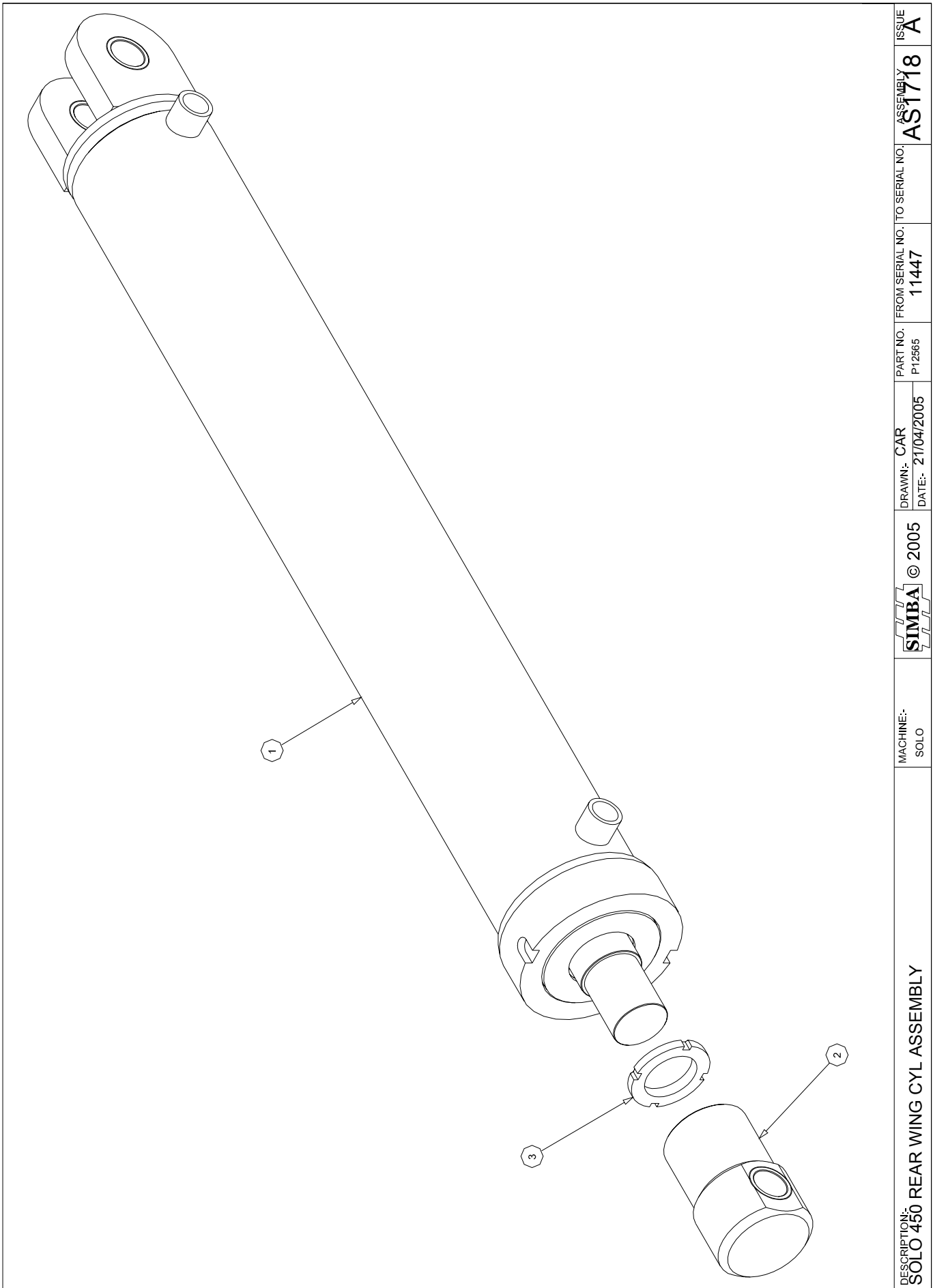
TO SERIAL NO.

ASSEMBLY
AS1717

ISSUE
A




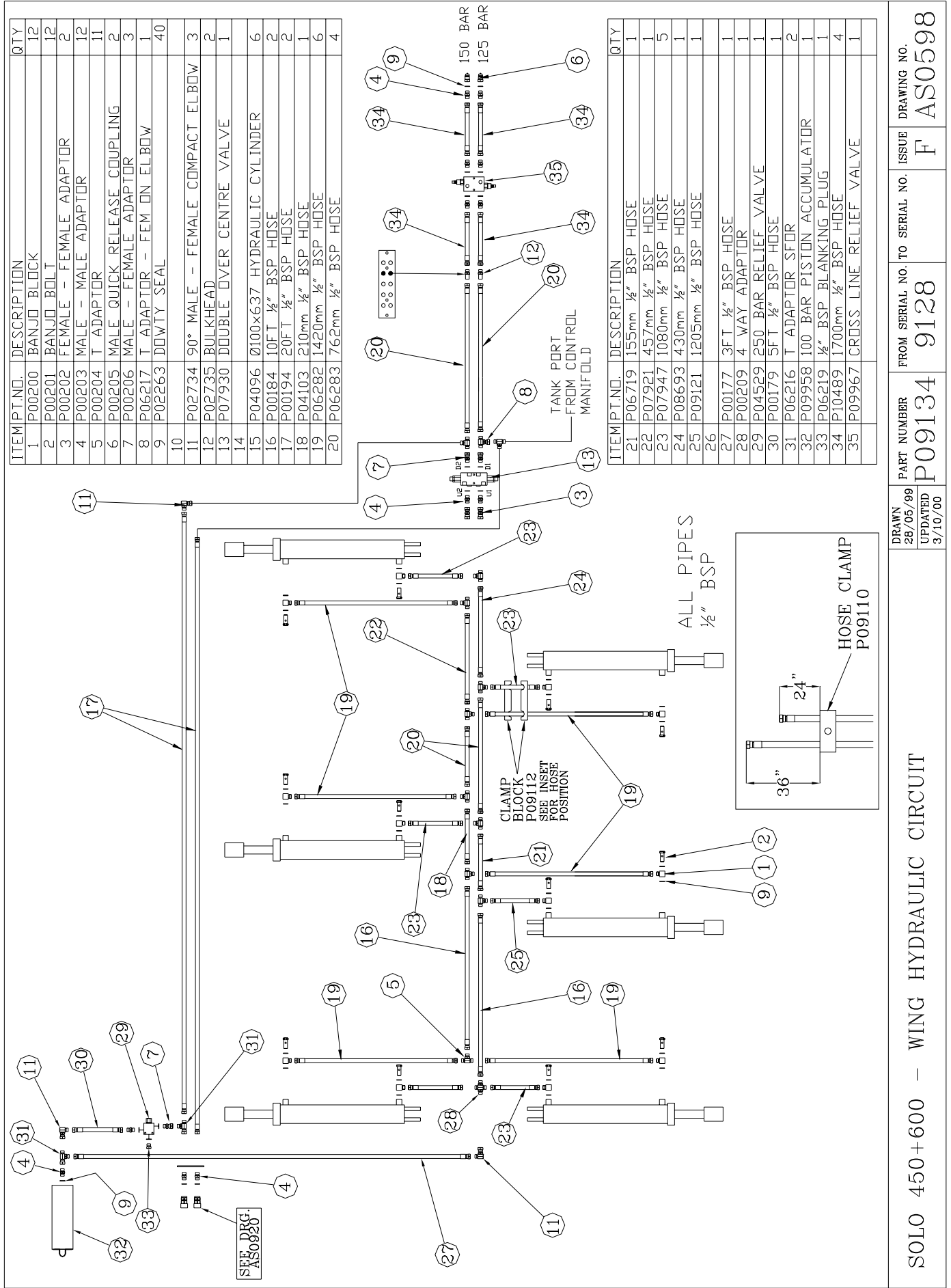
AS1717		SOLO 450 FNT WING CYL ASSEMBLY		
ITEM	PART NO	DESCRIPTION	QTY	COMMENTS
1	P12229	CYL - BODY ONLY	1	
2	P12566	ROD END - FRONT	1	
3	P12568	LOCK RING	1	
4				
5				
6				
7				
8				
9				
10				
11				
12				
13				
14				
15				
16				
17				
18				
19				
20				
21				
22				
23				
24				
25				
26				
27				
28				
29				
30				
31				
32				
33				
34				
35				
36				
37				
38				
39				
40				
41				
42				
43				
44				
45				
46				
47				
48				
49				
50				



DESCRIPTION: SOLO 450 REAR WING CYL ASSEMBLY		MACHINE: SOLO		© 2005		DRAWN:- CAR DATE:- 21/04/2005	PART NO. P12565	FROM SERIAL NO. 11447	TO SERIAL NO.	ASSEMBLY AS1718	ISSUE A
---	--	------------------	--	--------	--	----------------------------------	--------------------	--------------------------	---------------	--------------------	------------



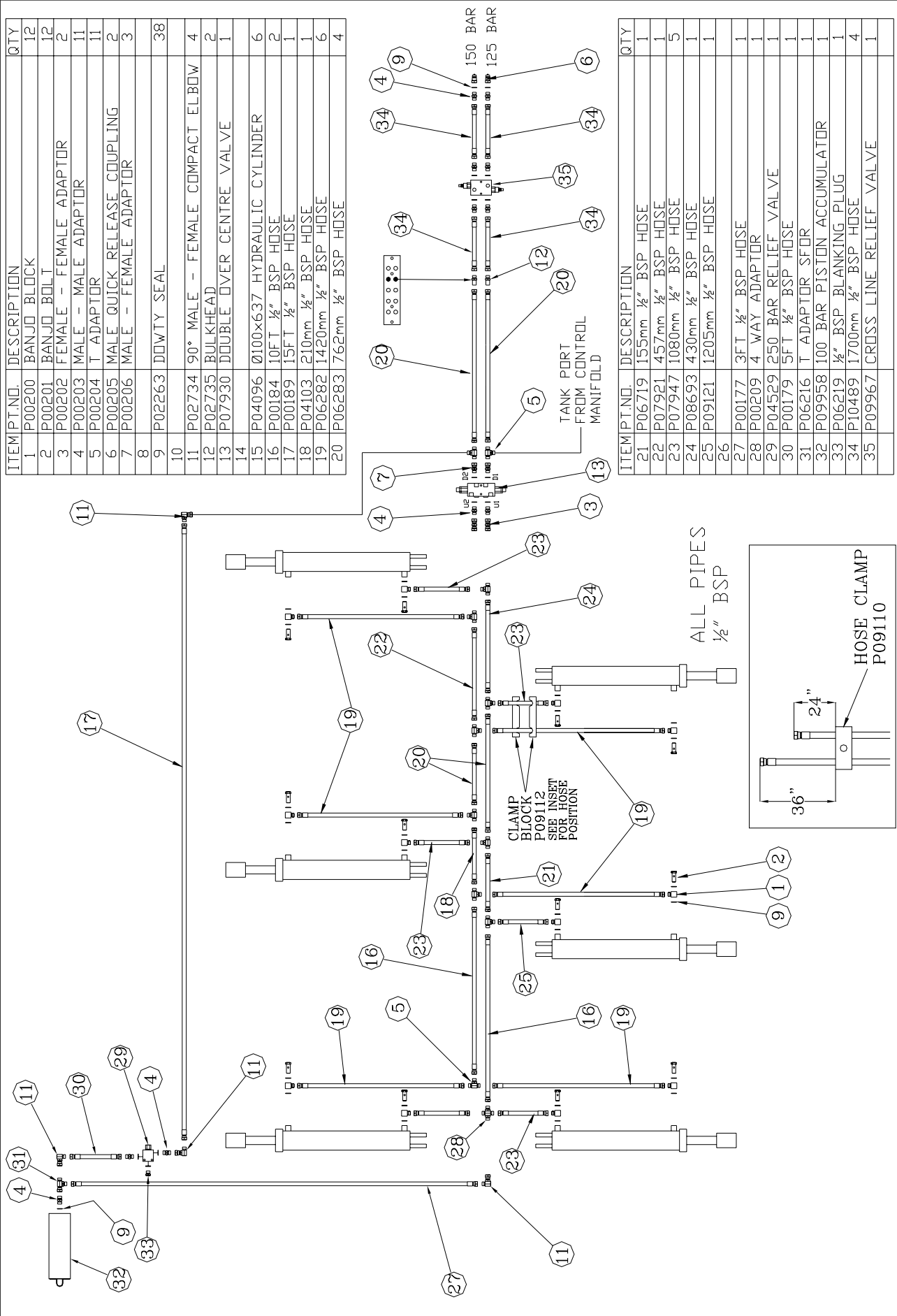
AS1718A		SOLO 450 REAR WING CYL ASSEMBLY		
ITEM	PART NO	DESCRIPTION	QTY	COMMENTS
1	P12229	CYL - BODY ONLY	1	
2	P12567	ROD END - REAR	1	
3	P12568	LOCK RING	1	
4				
5				
6				
7				
8				
9				
10				
11				
12				
13				
14				
15				
16				
17				
18				
19				
20				
21				
22				
23				
24				
25				
26				
27				
28				
29				
30				
31				
32				
33				
34				
35				
36				
37				
38				
39				
40				
41				
42				
43				
44				
45				
46				
47				
48				
49				
50				



ITEM PT NO.	DESCRIPTION	QTY
1	P00200 BANJO BLOCK	12
2	P00201 BANJO BOLT	12
3	P00202 FEMALE - FEMALE ADAPTOR	2
4	P00203 MALE - MALE ADAPTOR	12
5	P00204 T ADAPTOR	11
6	P00205 MALE QUICK RELEASE COUPLING	2
7	P00206 MALE - FEMALE ADAPTOR	3
8	P06217 T ADAPTOR - FEM ON ELBOW	1
9	P02263 DOWTY SEAL	40
10		
11	P02734 90° MALE - FEMALE COMPACT ELBOW	3
12	P02735 BULKHEAD	2
13	P07930 DOUBLE OVER CENTRE VALVE	1
14		
15	P04096 Ø100x637 HYDRAULIC CYLINDER	6
16	P00184 10FT 1/2" BSP HOSE	2
17	P00194 20FT 1/2" BSP HOSE	2
18	P04103 210mm 1/2" BSP HOSE	1
19	P06282 1420mm 1/2" BSP HOSE	6
20	P06283 762mm 1/2" BSP HOSE	4

ITEM PT NO.	DESCRIPTION	QTY
21	P06719 155mm 1/2" BSP HOSE	1
22	P07921 457mm 1/2" BSP HOSE	1
23	P07947 1080mm 1/2" BSP HOSE	5
24	P08693 430mm 1/2" BSP HOSE	1
25	P09121 1205mm 1/2" BSP HOSE	1
26		
27	P00177 3FT 1/2" BSP HOSE	1
28	P00209 4 WAY ADAPTOR	1
29	P04529 250 BAR RELIEF VALVE	1
30	P00179 5FT 1/2" BSP HOSE	1
31	P06216 T ADAPTOR SFOR	2
32	P09958 100 BAR PISTON ACCUMULATOR	1
33	P06219 1/2" BSP BLANKING PLUG	1
34	P10489 1700mm 1/2" BSP HOSE	4
35	P09967 CROSS LINE RELIEF VALVE	1

DRAWN 28/05/99
 UPDATED 3/10/00
 PART NUMBER P09134
 FROM SERIAL NO. TO SERIAL NO. 9128
 ISSUE F
 DRAWING NO. AS0598
 SOLO 450+600 - WING HYDRAULIC CIRCUIT

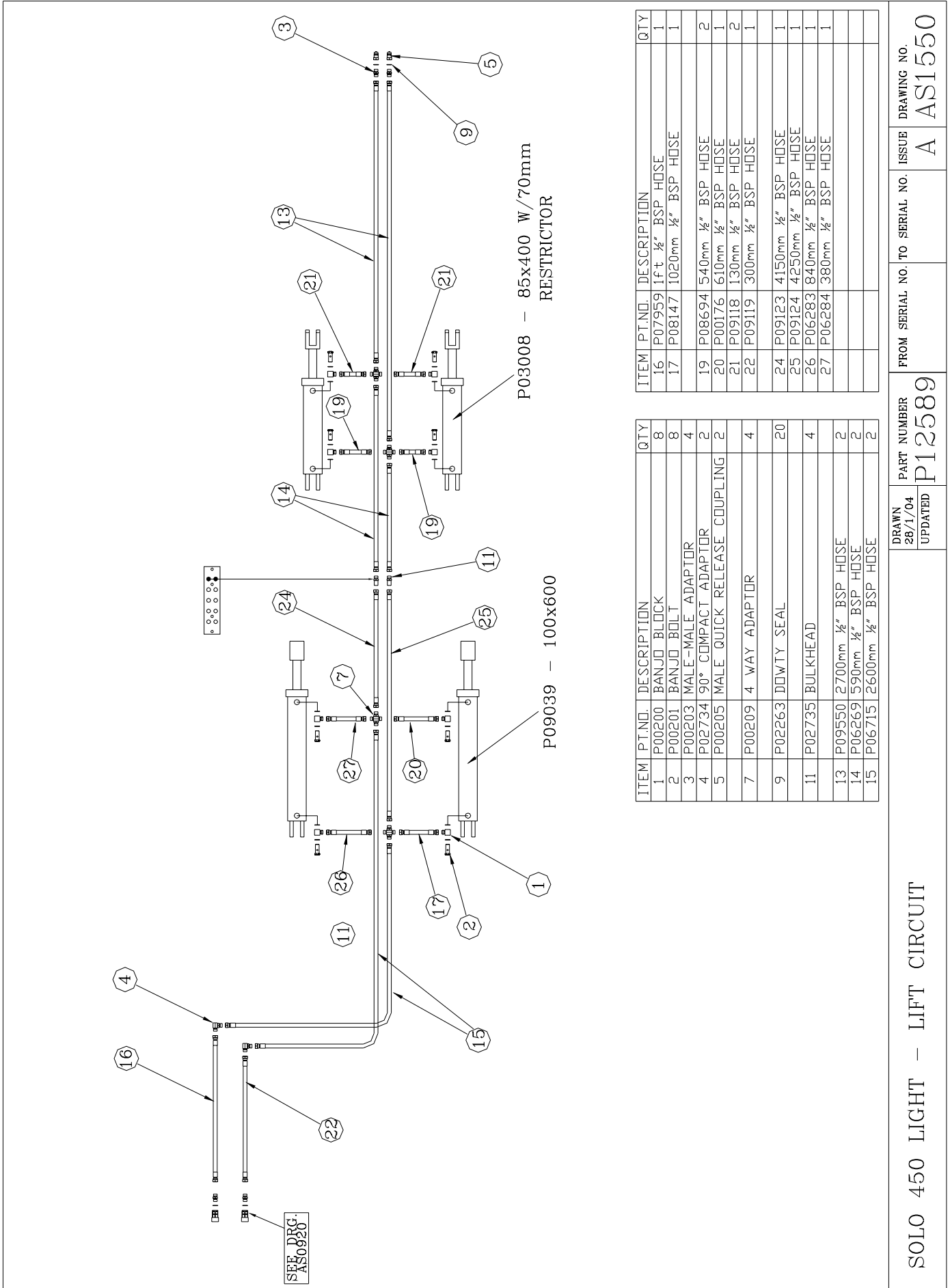


ITEM P.T. NO.	DESCRIPTION	QTY
1	P00200 BANJO BLOCK	12
2	P00201 BANJO BOLT	12
3	P00202 FEMALE - FEMALE ADAPTOR	2
4	P00203 MALE - MALE ADAPTOR	11
5	P00204 T ADAPTOR	11
6	P00205 MALE QUICK RELEASE COUPLING	2
7	P00206 MALE - FEMALE ADAPTOR	3
9	P02263 DOWTY SEAL	38
10		
11	P02734 90° MALE - FEMALE COMPACT ELBOW	4
12	P02735 BULKHEAD	2
13	P07930 DOUBLE OVER CENTRE VALVE	1
14		
15	P04096 Ø100x637 HYDRAULIC CYLINDER	6
16	P00184 10FT 1/2" BSP HOSE	2
17	P00189 15FT 1/2" BSP HOSE	1
18	P04103 210mm 1/2" BSP HOSE	1
19	P06282 1420mm 1/2" BSP HOSE	6
20	P06283 762mm 1/2" BSP HOSE	4

ITEM P.T. NO.	DESCRIPTION	QTY
21	P06719 155mm 1/2" BSP HOSE	1
22	P07921 457mm 1/2" BSP HOSE	1
23	P07947 1080mm 1/2" BSP HOSE	5
24	P08693 430mm 1/2" BSP HOSE	1
25	P09121 1205mm 1/2" BSP HOSE	1
26		
27	P00177 3FT 1/2" BSP HOSE	1
28	P00209 4 WAY ADAPTOR	1
29	P04529 250 BAR RELIEF VALVE	1
30	P00179 5FT 1/2" BSP HOSE	1
31	P06216 T ADAPTOR SFOR	1
32	P09958 100 BAR PISTON ACCUMULATOR	1
33	P06219 1/2" BSP BLANKING PLUG	1
34	P10489 1700mm 1/2" BSP HOSE	4
35	P09967 CROSS LINE RELIEF VALVE	1

DRAWN 28/05/99	PART NUMBER	FROM SERIAL NO. TO SERIAL NO.	ISSUE	DRAWING NO.
	UPDATED 3/10/00	P09168	9128	D AS0689

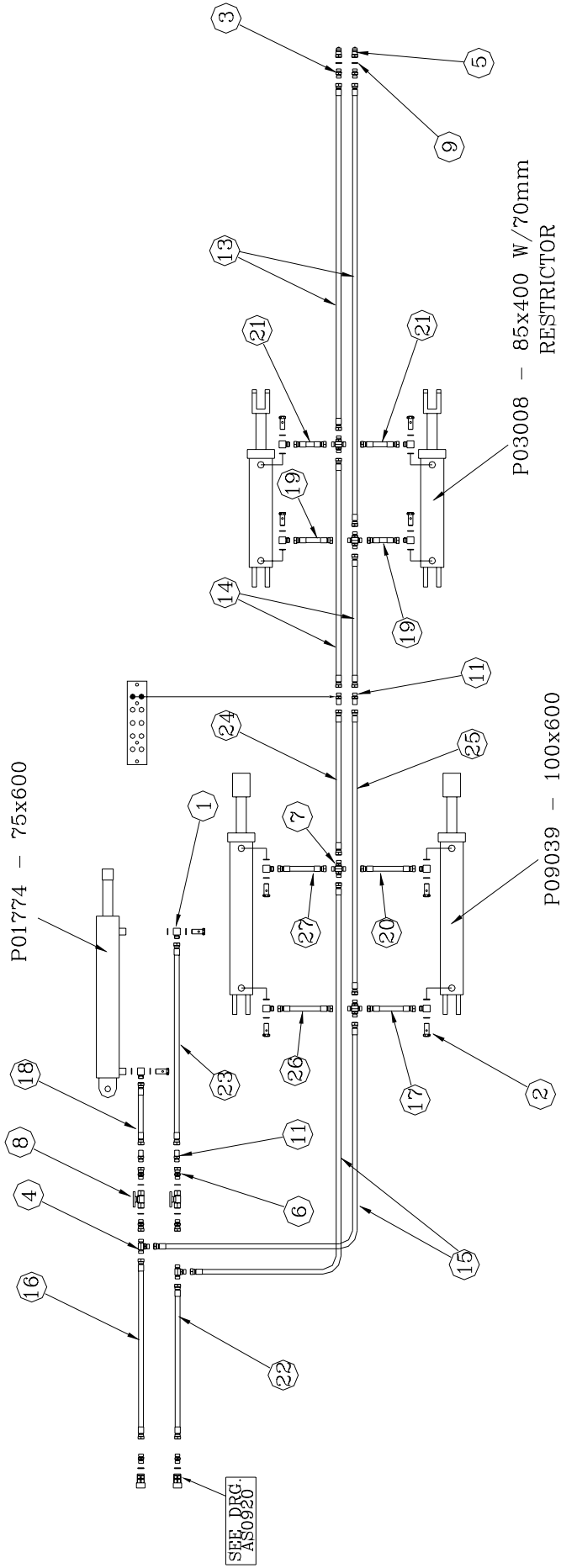
SOLO R 450+600 - WING HYDRAULIC CIRCUIT



ITEM	PT.NO.	DESCRIPTION	QTY
1	P00200	BANJO BLOCK	8
2	P00201	BANJO BOLT	8
3	P00203	MALE-MALE ADAPTOR	4
4	P02734	90° COMPACT ADAPTOR	2
5	P00205	MALE QUICK RELEASE COUPLING	2
7	P00209	4 WAY ADAPTOR	4
9	P02263	DOWTY SEAL	20
11	P02735	BULKHEAD	4
13	P09550	2700mm 1/2" BSP HOSE	2
14	P06269	590mm 1/2" BSP HOSE	2
15	P06715	2600mm 1/2" BSP HOSE	2

ITEM	PT.NO.	DESCRIPTION	QTY
16	P07959	1ft 1/2" BSP HOSE	1
17	P08147	1020mm 1/8" BSP HOSE	1
19	P08694	540mm 1/2" BSP HOSE	2
20	P00176	610mm 1/2" BSP HOSE	1
21	P09118	130mm 1/2" BSP HOSE	2
22	P09119	300mm 1/2" BSP HOSE	1
24	P09123	4150mm 1/2" BSP HOSE	1
25	P09124	4250mm 1/2" BSP HOSE	1
26	P06283	840mm 1/2" BSP HOSE	1
27	P06284	380mm 1/2" BSP HOSE	1

DRAWN 28/1/04		PART NUMBER P12589		FROM SERIAL NO. TO SERIAL NO.	ISSUE A	DRAWING NO. AS1550
		UPDATED				
SOLO 450 LIGHT - LIFT CIRCUIT						



ITEM	PT. NO.	DESCRIPTION	QTY
16	P07959	1ft 1/2" BSP HOSE	1
17	P08147	1020mm 1/2" BSP HOSE	1
18	P08693	470mm 1/2" BSP HOSE	1
19	P08694	540mm 1/2" BSP HOSE	2
20	P00176	610mm 1/2" BSP HOSE	1
21	P09118	130mm 1/2" BSP HOSE	2
22	P09119	300mm 1/2" BSP HOSE	1
23	P09120	750mm 1/2" BSP HOSE	1
24	P09123	4150mm 1/2" BSP HOSE	1
25	P09124	4250mm 1/2" BSP HOSE	1
26	P06283	840mm 1/2" BSP HOSE	1
27	P06284	380mm 1/2" BSP HOSE	1

ITEM	PT. NO.	DESCRIPTION	QTY
1	P00200	BANJO BLOCK	10
2	P00201	BANJO BOLT	10
3	P00203	MALE-MALE ADAPTOR	4
4	P00204	T ADAPTOR	2
5	P00205	MALE QUICK RELEASE COUPLING	2
6	P00206	MALE-FEMALE ADAPTOR	4
7	P00209	4 WAY ADAPTOR	4
8	P00774	TAP	2
9	P02263	DOWTY SEAL	28
10			
11	P02735	BULKHEAD	6
12			
13	P09550	2700mm 1/2" BSP HOSE	2
14	P06269	590mm 1/2" BSP HOSE	2
15	P06715	2600mm 1/2" BSP HOSE	2

SOLO 450-600 - LIFT CIRCUIT

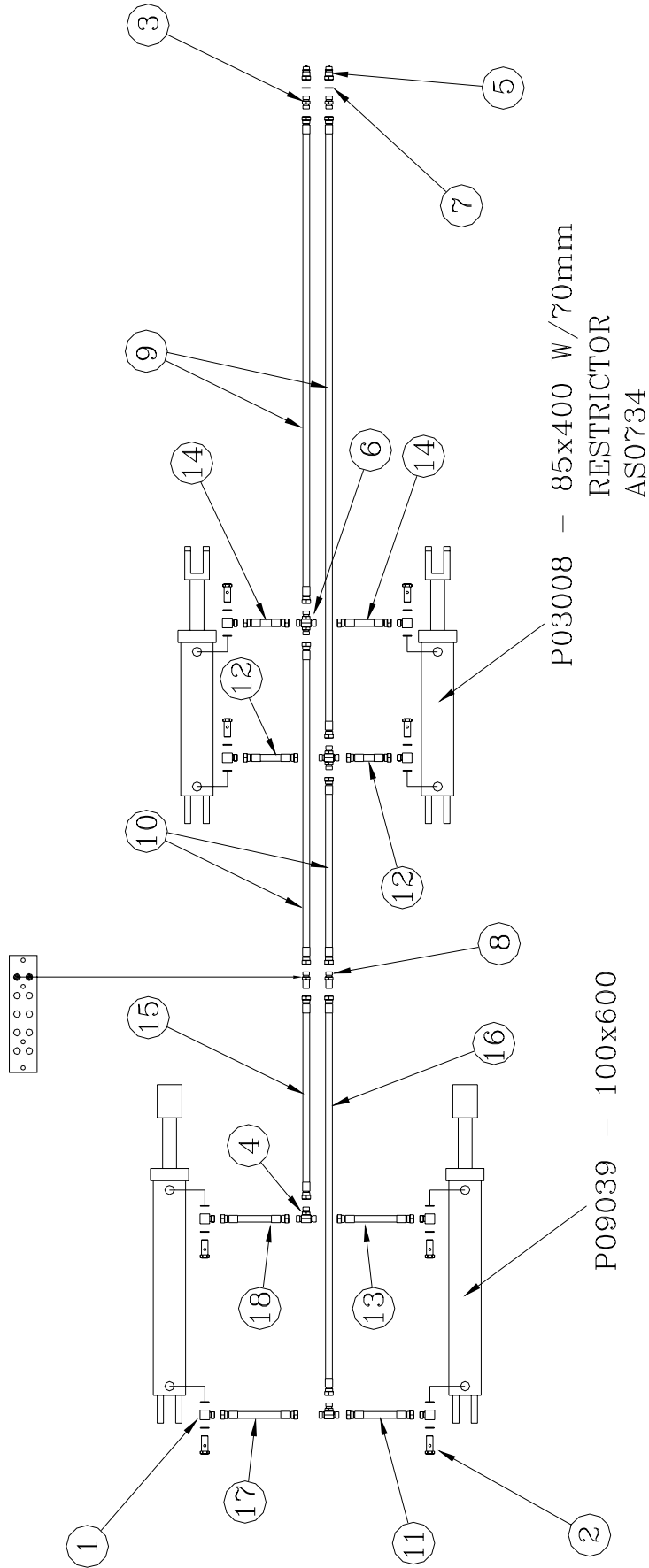
DRAWN 28/05/99	PART NUMBER P09135	FROM SERIAL NO.	TO SERIAL NO.
UPDATED 21-02-00			

ISSUE **C** DRAWING NO. **AS0599**



ITEM	PT. NO.	DESCRIPTION	QTY
16	P09124	4250mm 1/2" BSP HOSE	1
17	P06283	840mm 1/2" BSP HOSE	1
18	P06284	380mm 1/2" BSP HOSE	1

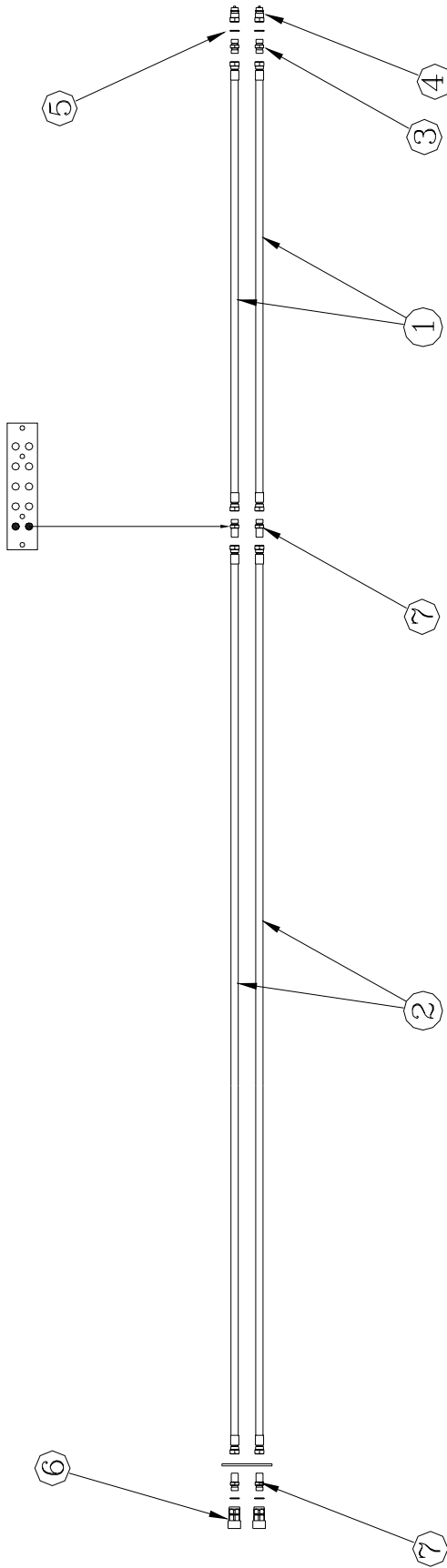
ITEM	PT. NO.	DESCRIPTION	QTY
1	P00200	BANJO BLOCK	8
2	P00201	BANJO BOLT	8
3	P00203	MALE - MALE ADAPTOR	2
4	P00204	T ADAPTOR	2
5	P00205	MALE QUICK RELEASE COUPLING	2
6	P00209	4 WAY ADAPTOR	2
7	P02263	DOWTY SEAL	18
8	P02735	BULKHEAD	4
9	P09550	2700mm 1/2" BSP HOSE	2
10	P06269	590mm 1/2" BSP HOSE	2
11	P08147	1020mm 1/2" BSP HOSE	1
12	P08694	540mm 1/2" BSP HOSE	2
13	P00176	610mm 1/2" BSP HOSE	1
14	P09118	130mm 1/2" BSP HOSE	2
15	P09123	4150mm 1/2" BSP HOSE	1



DRAWN 28/05/99		PART NUMBER P09167		FROM SERIAL NO. TO SERIAL NO.		ISSUE B		DRAWING NO. AS0688	
UPDATED 21-02-00									
SOLO R 450-600 F/W - LIFT CIRCUIT									



7. Parts & Assembly

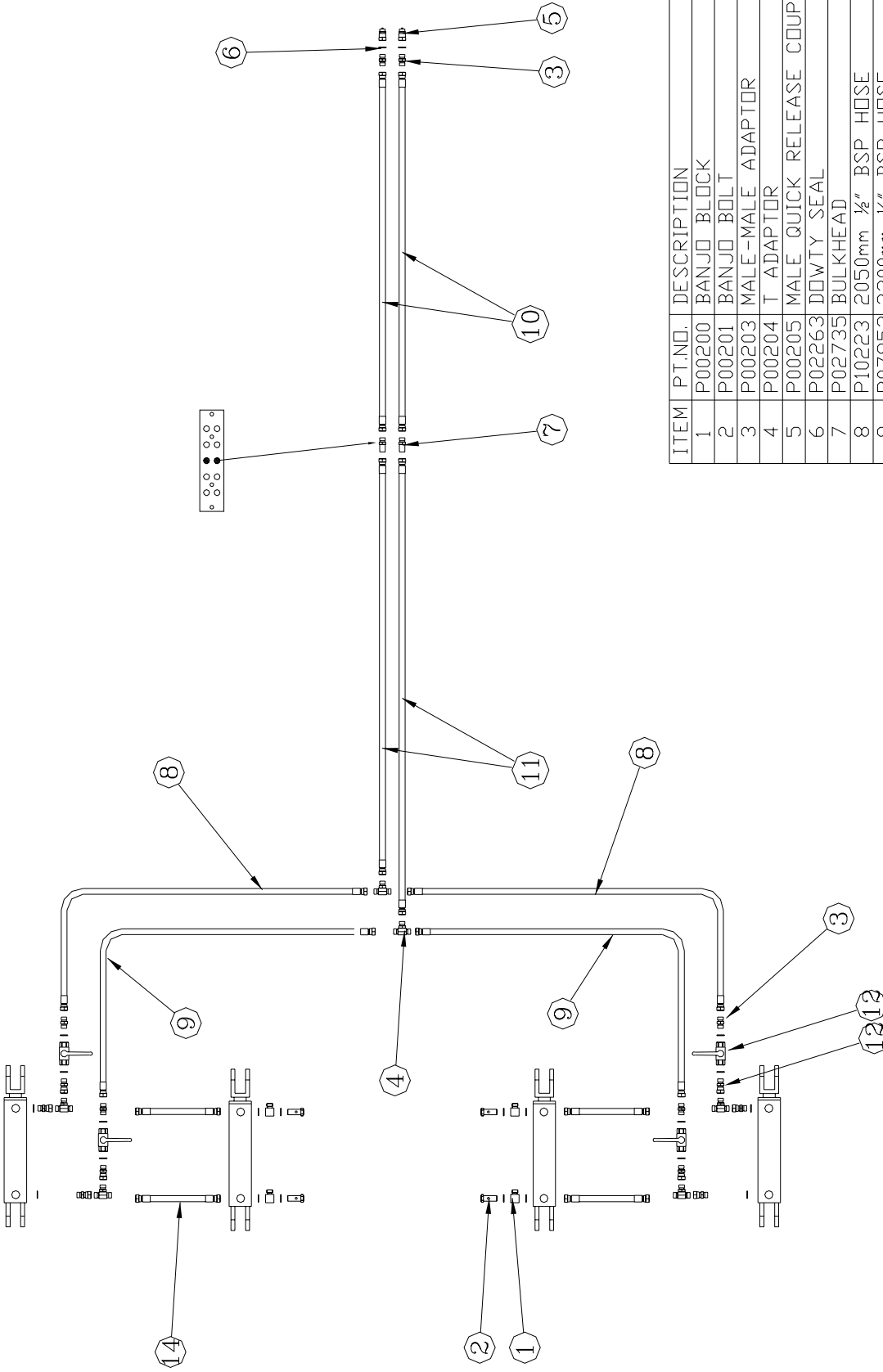


ITEM	PT.NO.	DESCRIPTION	QTY
1	P09549	3400mm) 1/2" BSP HOSE	2
2	P00197	23ft (7000mm) 1/2" BSP HOSE	2
3	P00203	MALE-MALE ADAPTOR	2
4	P00205	MALE QUICK RELEASE COUPLING	2
5	P02263	DOWTY SEAL	4
6	P02730	FEMALE QUICK RELEASE COUPLING	2
7	P02735	BULKHEAD	4

DRAWN 28/5/99		PART NUMBER P09275		FROM SERIAL NO. TO SERIAL NO.		ISSUE B		DRAWING NO. AS0612	
UPDATED 21-02-00		SOLO 450/600 - 2 EXTRA PIPES TO REAR							



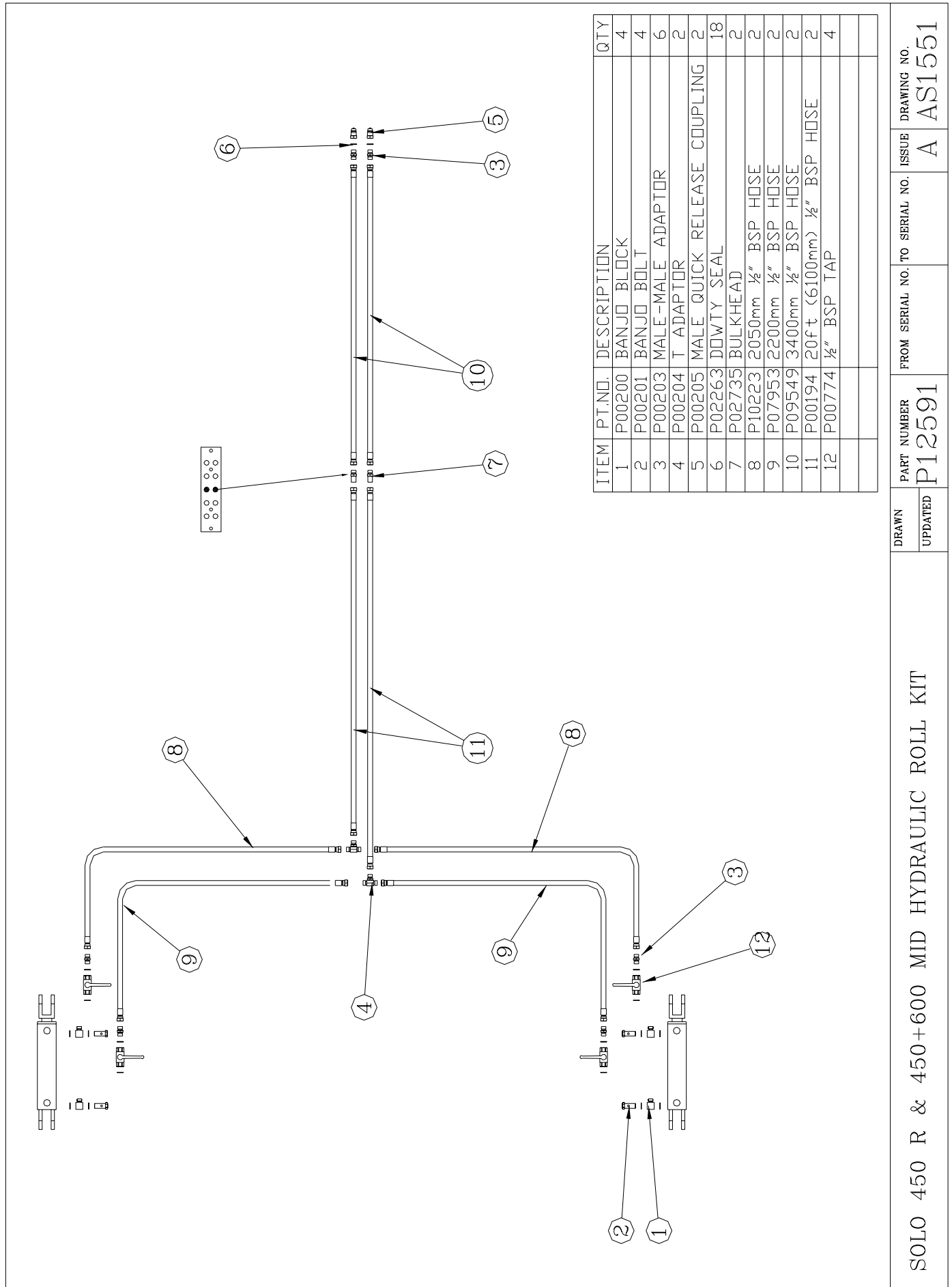
ISSUE D-E TWO TO FOUR CYLINDERS 28/6/04 CAR



ITEM	PT.ND.	DESCRIPTION	QTY
1	P00200	BANJD BLOCK	4
2	P00201	BANJD BOLT	4
3	P00203	MALE-MALE ADAPTOR	6
4	P00204	T ADAPTOR	6
5	P00205	MALE QUICK RELEASE COUPLING	2
6	P02263	DOWTY SEAL	22
7	P02735	BULKHEAD	2
8	P10223	2050mm 1/2" BSP HOSE	2
9	P07953	2200mm 1/2" BSP HOSE	2
10	P09549	3400mm 1/2" BSP HOSE	2
11	P00194	20ft (6100mm) 1/2" BSP HOSE	2
12	P00774	1/2" BSP TAP	4
13	P00206	MALE-FEMALE ADAPTOR	8
14	P09121	1205mm 1/2" BSP HOSE	4

DRAWN 28/5/99	PART NUMBER P09149	FROM SERIAL NO.	TO SERIAL NO.	ISSUE	DRAWING NO.
		UPDATED 3/10/00		E	AS0621

SOLO R F/W - HYDRAULIC REAR ROLL KIT

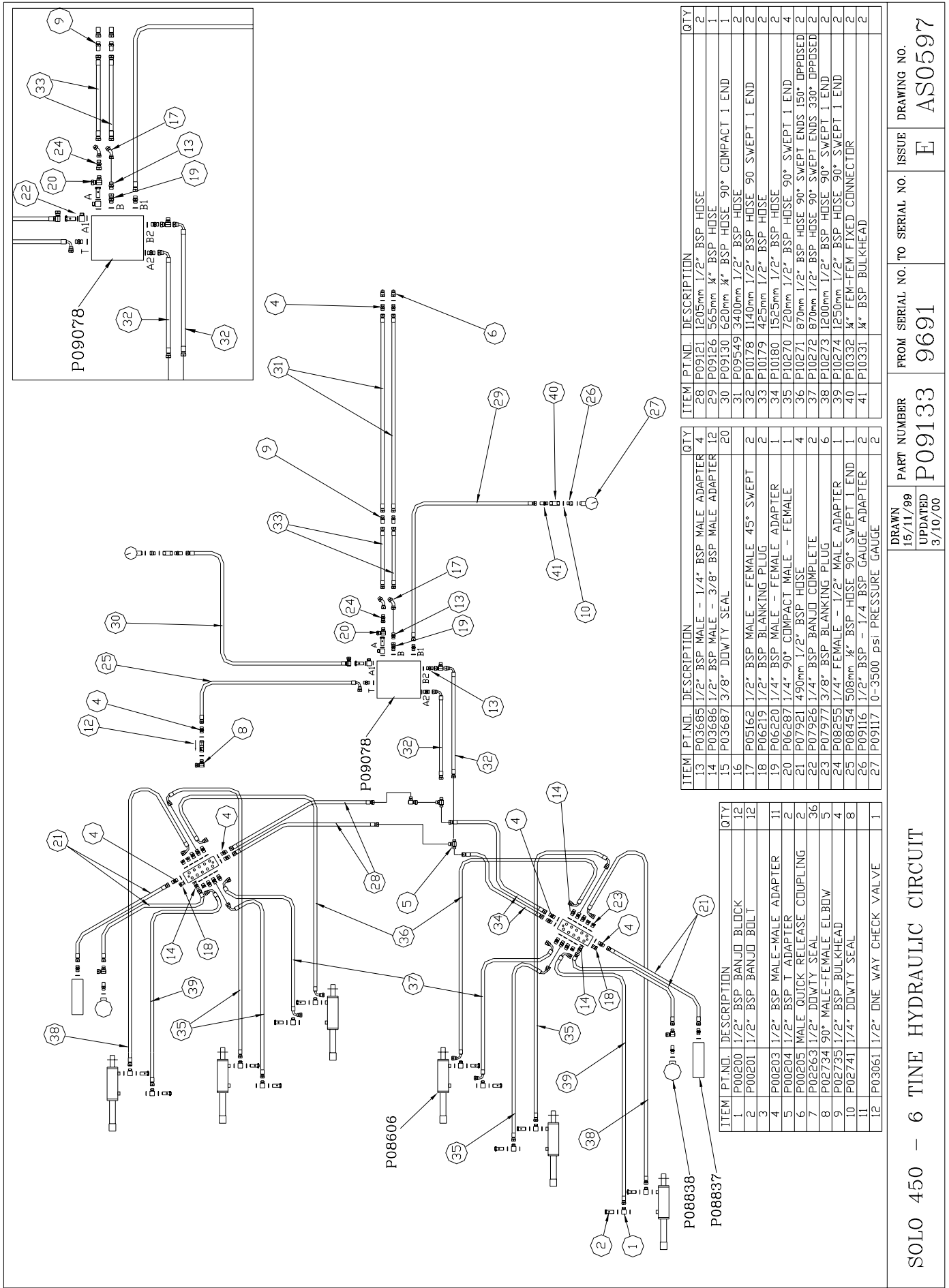


ITEM	PT.ND.	DESCRIPTION	QTY
1	P00200	BANJO BLOCK	4
2	P00201	BANJO BOLT	4
3	P00203	MALE-MALE ADAPTOR	6
4	P00204	T ADAPTOR	2
5	P00205	MALE QUICK RELEASE COUPLING	2
6	P02263	DOWTY SEAL	18
7	P02735	BULKHEAD	2
8	P10223	2050mm ½" BSP HOSE	2
9	P07953	2200mm ½" BSP HOSE	2
10	P09549	3400mm ½" BSP HOSE	2
11	P00194	20ft (6100mm) ½" BSP HOSE	2
12	P00774	½" BSP TAP	4

DRAWN	PART NUMBER	FROM SERIAL NO.	TO SERIAL NO.	ISSUE	DRAWING NO.

SOLO 450 R & 450+600 MID HYDRAULIC ROLL KIT

7. Parts & Assembly



ITEM	PT.NL	DESCRIPTION	QTY
28	P09121	1205mm 1/2" BSP HOSE	2
29	P09126	565mm 1/2" BSP HOSE	1
30	P09130	1620mm 1/2" BSP HOSE 90° COMPACT 1 END	1
31	P09549	3400mm 1/2" BSP HOSE	2
32	P10178	1140mm 1/2" BSP HOSE 90° SWEEP 1 END	2
33	P10179	425mm 1/2" BSP HOSE	2
34	P10180	1525mm 1/2" BSP HOSE	2
35	P10270	720mm 1/2" BSP HOSE 90° SWEEP 1 END	4
36	P10271	1870mm 1/2" BSP HOSE 90° SWEEP ENDS 150° OPPOSED 2	2
37	P10272	1870mm 1/2" BSP HOSE 90° SWEEP ENDS 330° OPPOSED 2	2
38	P10273	1200mm 1/2" BSP HOSE 90° SWEEP 1 END	2
39	P10274	1250mm 1/2" BSP HOSE 90° SWEEP 1 END	2
40	P10332	1/4" FEM-FEM FIXED CONNECTOR	2
41	P10331	1/4" BSP BULKHEAD	2

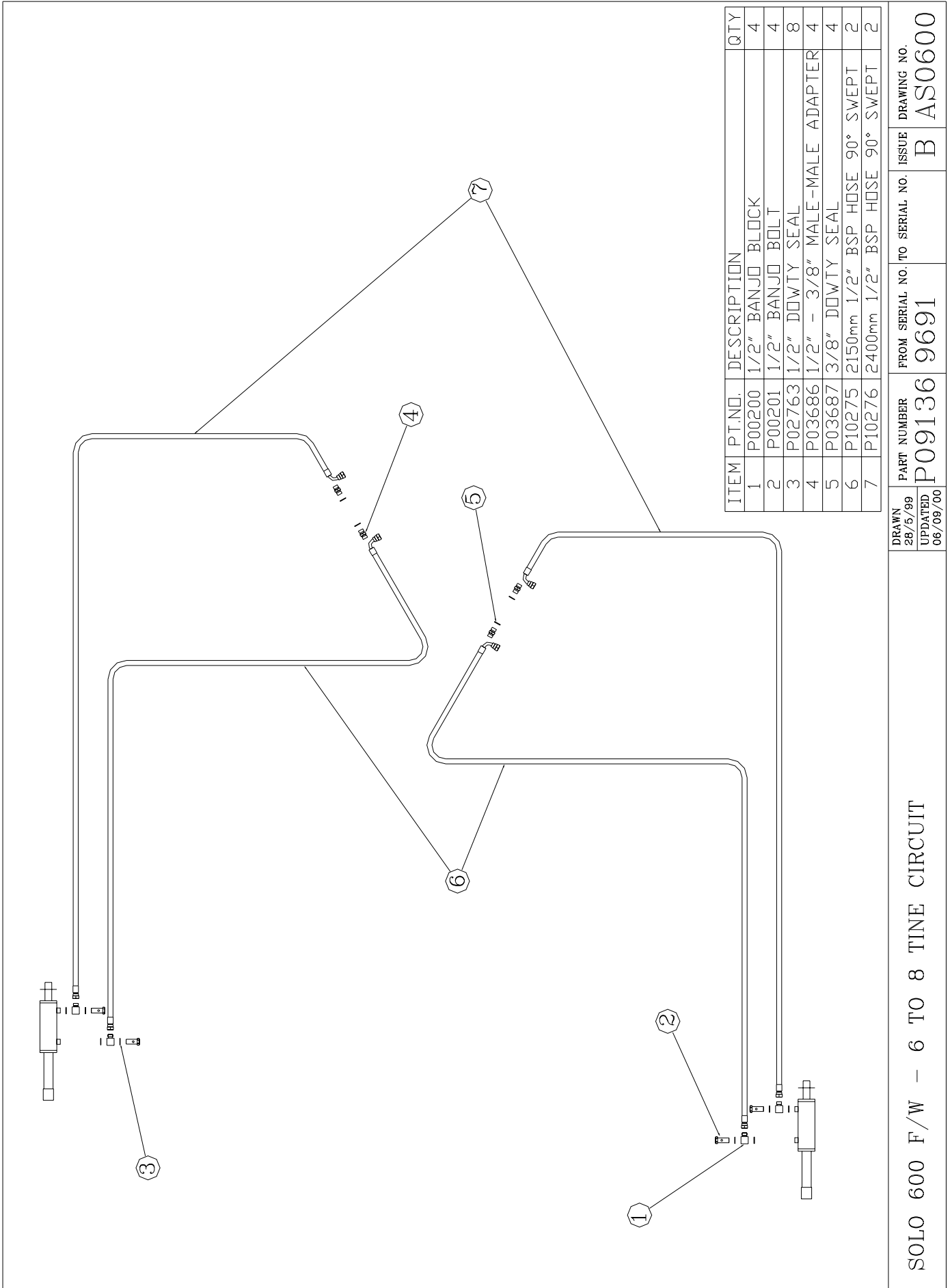
ITEM	PT.NL	DESCRIPTION	QTY
13	P03685	1/2" BSP MALE - 1/4" BSP MALE ADAPTER	4
14	P03686	1/2" BSP MALE - 3/8" BSP MALE ADAPTER	12
15	P03687	3/8" DOWTY SEAL	20
16	P05162	1/2" BSP MALE - FEMALE 45° SWEEP	2
17	P06219	1/2" BSP BLANKING PLUG	2
18	P06220	1/4" BSP MALE - FEMALE ADAPTER	1
19	P06287	1/4" 90° COMPACT MALE - FEMALE	1
20	P07921	1/2" BSP HOSE	4
21	P07926	1/4" BSP BANJID COMPLETE	2
22	P07927	3/8" BSP BLANKING PLUG	6
23	P08255	1/4" FEMALE - 1/2" MALE ADAPTER	1
24	P08454	508mm 1/2" BSP HOSE 90° SWEEP 1 END	1
25	P09116	1/2" BSP - 1/4" BSP GAUGE ADAPTER	2
26	P09117	0-3500 psi PRESSURE GAUGE	2

ITEM	PT.NL	DESCRIPTION	QTY
1	P00200	1/2" BSP BANJID BLOCK	12
2	P00201	1/2" BSP BANJID BOLT	12
3	P00203	1/2" BSP MALE-MALE ADAPTER	11
4	P00204	1/2" BSP T ADAPTER	2
5	P00205	MALE QUICK RELEASE COUPLING	2
6	P02263	1/2" DOWTY SEAL	36
7	P02734	90° MALE-FEMALE ELBOW	5
8	P02735	1/2" BSP BULKHEAD	4
9	P02741	1/4" DOWTY SEAL	8
10	P03061	1/2" ONE WAY CHECK VALVE	1

DRAWN 15/11/99	PART NUMBER P09133	FROM SERIAL NO. 9691	ISSUE E	DRAWING NO. AS0597
SOLO 450 - 6 TINE HYDRAULIC CIRCUIT				

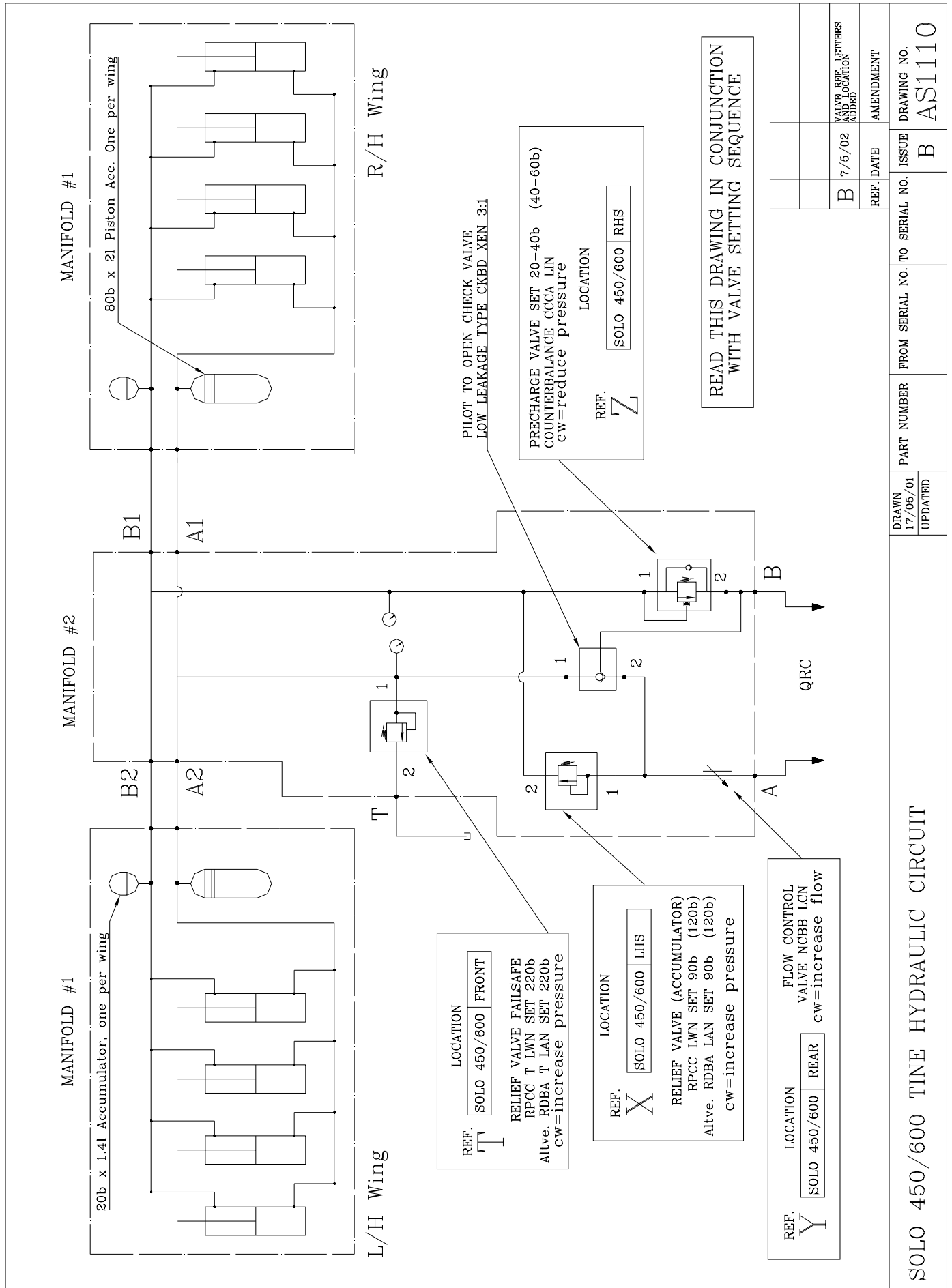


7. Parts & Assembly



ITEM	PT.ND.	DESCRIPTION	QTY
1	P00200	1/2" BANJO BLOCK	4
2	P00201	1/2" BANJO BOLT	4
3	P02763	1/2" DOWTY SEAL	8
4	P03686	1/2" - 3/8" MALE-ADAPTER	4
5	P03687	3/8" DOWTY SEAL	4
6	P10275	2150mm 1/2" BSP HOSE 90° SWEPT	2
7	P10276	2400mm 1/2" BSP HOSE 90° SWEPT	2

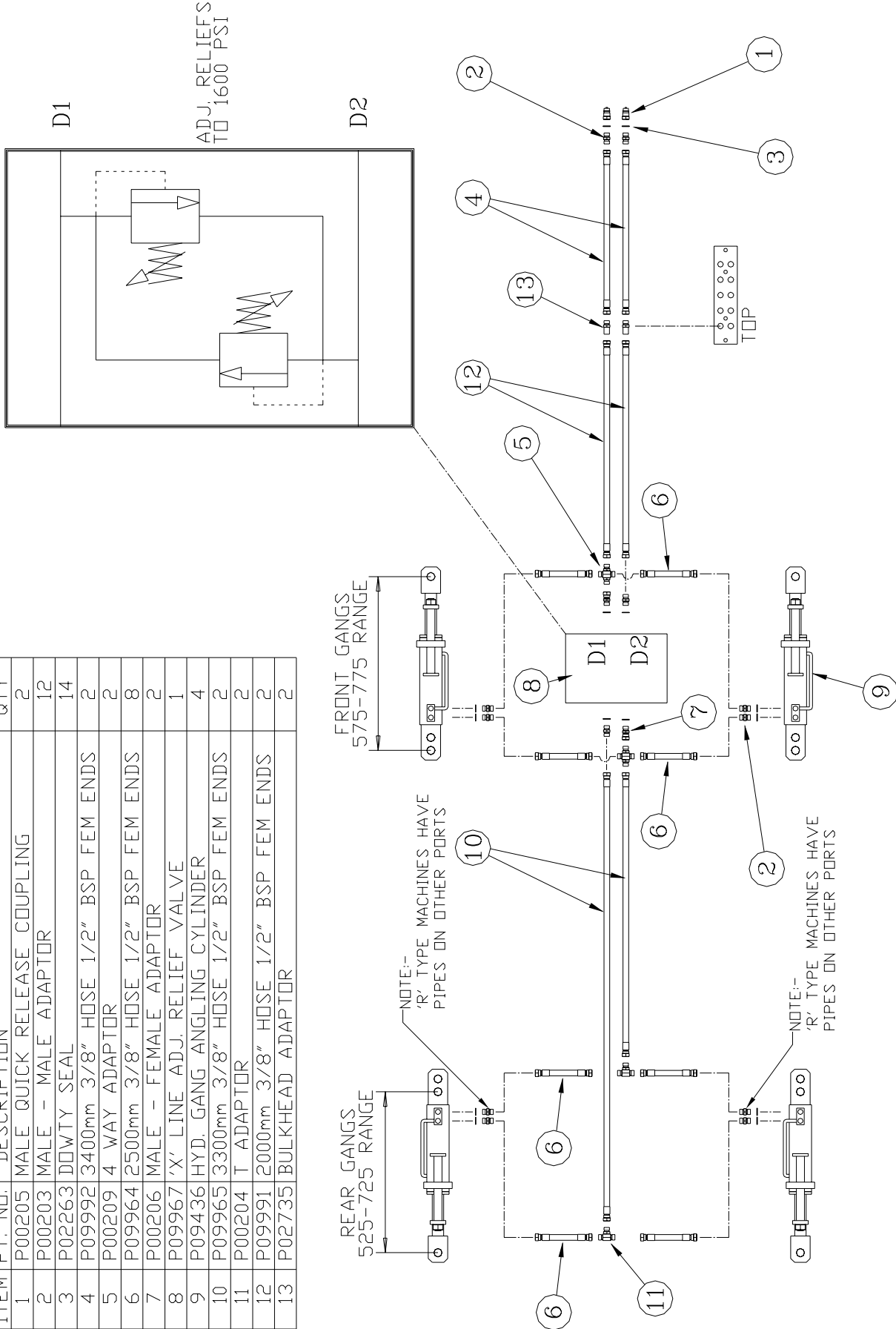
DRAWN 28/5/99	PART NUMBER P09136	FROM SERIAL NO. TO SERIAL NO. 9691	ISSUE B	DRAWING NO. AS0600
SOLO 600 F/W - 6 TO 8 TINE CIRCUIT				



DRAWN 17/05/01 UPDATED	PART NUMBER	FROM SERIAL NO.	TO SERIAL NO.	ISSUE B	DRAWING NO. AS1110
				REF. DATE	AMENDMENT
				B 7/5/02	VALVE RPT. LETTERS ADDED LOCATION

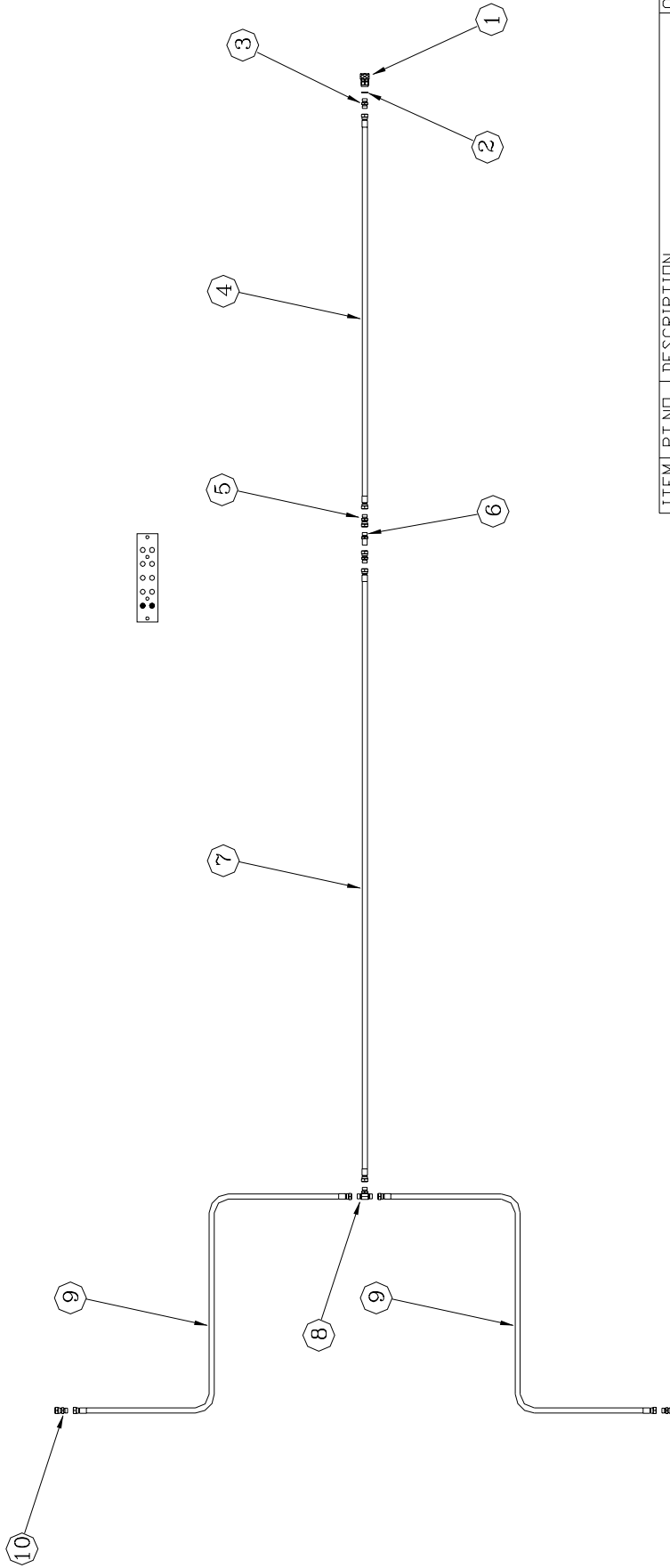
SOLO 450/600 TINE HYDRAULIC CIRCUIT

ITEM	PT. NO.	DESCRIPTION	QTY
1	P00205	MALE QUICK RELEASE COUPLING	2
2	P00203	MALE - MALE ADAPTOR	12
3	P02263	DOWTY SEAL	14
4	P09992	3400mm 3/8" HOSE 1/2" BSP FEM ENDS	2
5	P00209	4 WAY ADAPTOR	2
6	P09964	2500mm 3/8" HOSE 1/2" BSP FEM ENDS	8
7	P00206	MALE - FEMALE ADAPTOR	2
8	P09967	'X' LINE ADJ. RELIEF VALVE	1
9	P09436	HYD. GANG ANGLING CYLINDER	4
10	P09965	3300mm 3/8" HOSE 1/2" BSP FEM ENDS	2
11	P00204	T ADAPTOR	2
12	P09991	2000mm 3/8" HOSE 1/2" BSP FEM ENDS	2
13	P02735	BULKHEAD ADAPTOR	2



SOLO GANG ANGLING HYD. LAYOUT

DRAWN 18/05/2000 UPDATED	PART NUMBER P09959	FROM SERIAL NO. TO SERIAL NO.	ISSUE B	DRAWING NO. AS0732
--------------------------------	-----------------------	-------------------------------	------------	-----------------------



ITEM	PT.ND.	DESCRIPTION	QTY
1	P10128	BRAKE COUPLING CARRIER	1
2	P02263	1/2" BSP DOWTY SEAL	1
3	P03685	1/2" MALE-1/2" MALE ADAPTOR	1
4	P10129	3/400mm 1/4" BSP HOSE FEMALE ENDS	1
5	P03688	1/2" FEMALE-1/2" MALE ADAPTOR	2
6	P02735	BULKHEAD	1
7	P10130	4000mm 1/4" BSP HOSE FEMALE ENDS	1
8	P02742	1/4" BSP T ADAPTOR	1
9	P10131	1400mm 1/4" BSP HOSE FEMALE ENDS	2
10	P10153	1/4" BSP MALE-3/8" FEMALE ADAPTOR	2

DRAWN 2/2/00	PART NUMBER P10127	FROM SERIAL NO.	TO SERIAL NO.	ISSUE	DRAWING NO.
				A	AS0774

SOLO 450-600 - BRAKED AXLE HYDRAULIC CIRCUIT